



## TUBE-O-MAT®

The optimum feeder



- **Reliable feed intake from day one**

The shielding is made of transparent plastic, which allows a maximum overview and easy hygiene control. It is easily opened without use of any tools. The dosing unit consists of a very few parts, which ensures a high level of hygiene and easy cleaning. The activating part in stainless grille construction can easily be activated by the pigs, and they quickly learn how to operate it.

- **Calm animals**

The large opening and the integrated agitator ensures a constant feed flow and prevent bridging. The emergency closing system prevents feed waste.

- **Maximum use**

All TUBE-O-MAT® feeders have hoppers and lids, developed with focus on maximum user-friendliness, easy cleaning, overview and space utilization.

# TUBE-O-MAT®

Reliable feed intake from day one...

TUBE-O-MAT® is the optimum feeder for weaners, finishers as well as for wean-to-finish. The feeding principle considers the natural rooting behaviour, as the pigs have to activate the feeder to get feed. Consequently, the trough is cleaned and free of feed residues, which helps to keep a high level of hygiene.

TUBE-O-MAT® hopper is shaped with almost vertical sides to prevent bridging. The trough had double drinking bowls allowing the pigs to choose water, dry feed or soaked feed.

## Volume

Hopper	83 l/approx. 58 kg
Hopper Jumbo	160 l/approx. 112 kg

## Capacity per trough

Weaners up to 30 kg:	30-50 pigs	
WTF 7-120 kg:	30-50 pigs	Jumbo: 50-70 pigs
Finishers 18-120 kg:	30-50 pigs	Jumbo: 50-70 pigs

## Frame

TUBE-O-MAT® is delivered with frame of 4 mm stainless steel

## Water supply

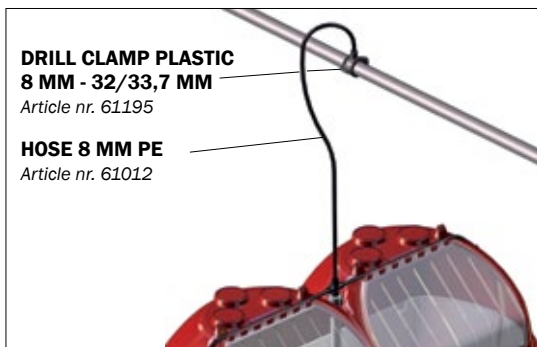
3/8" stainless steel pipe with external thread  
Adjustable press nipple stainless steel 93245



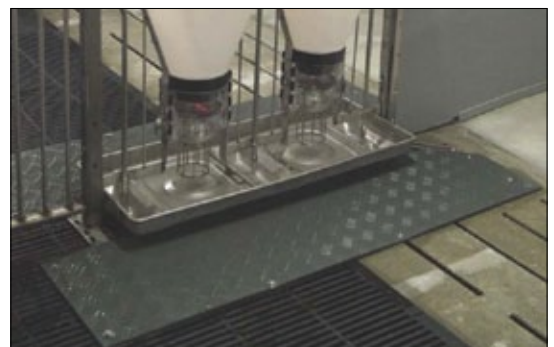
The opening part of the lid makes manual filling and inspection easy. It is transparent which allows light into the hopper so that the feed level can be easily inspected, even from a distance without entering the pens.



The lid is made with 3 places for feed inlet for optimization of the filling of the hopper, also when using systems with several lines. The arched, dust repellent shape facilitates a maximum filling of the hopper which allows an exact dosage of the feed, even small quantities.



The water supply is made of flexible PE-hoses clicked on to the feeders lid. The hoses can be lead along the vertical feed down-pipes, so fewer parts are in the way in the pen and it makes cleaning and installation quick and simple.



The plastic plate under the feeder protects it against corrosion. Choose between the single (100x80 cm) and the double (122x80 cm) plates.

MASTER TRADING

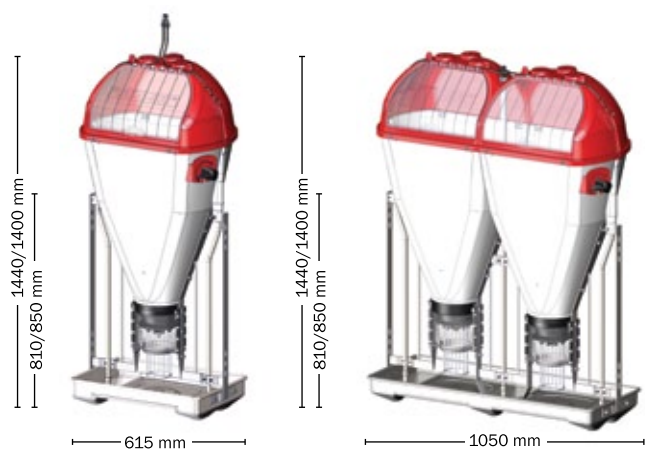
MASTER TRADING • KIRKEVÆNGET 5 • 7400 HERNING • DENMARK

www.mastertrading.dk • Tel. +45 9744 6677

# TUBE-O-MAT®

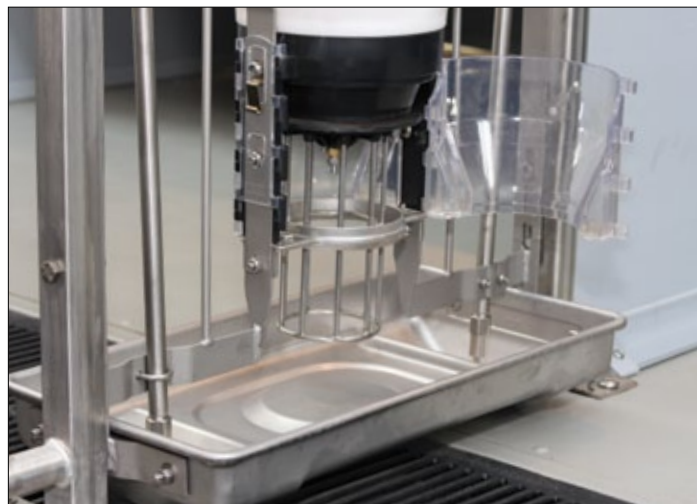
VI+, CLASSIC and TUBE - choose the feeder for exactly your needs...

## TUBE-O-MAT® VI+



TUBE-O-MAT® VI+	
Article	For
89540	Weaners
89550	WTF
89560	Finishers

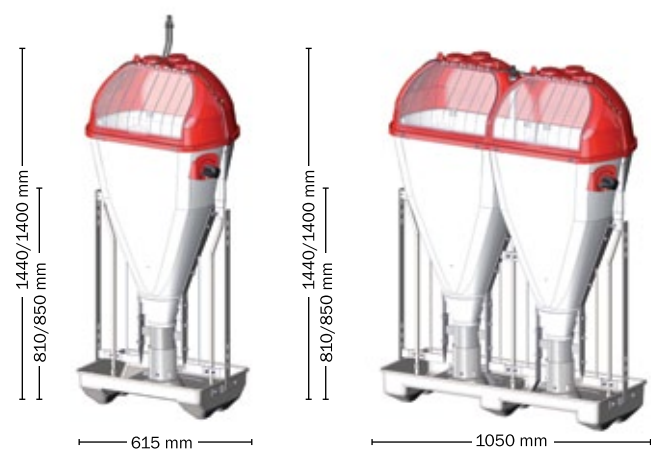
TUBE-O-MAT® VI+ JUMBO	
Article	For
89650	WTF
89660	Finishers
-	-



### TUBE-O-MAT® VI+ trough and dosage part

The activating part on VI+ models is made of stainless steel and is designed for both piglets and finishers. Simple and very strong. Besides there is a transparent lid, that can be opened for cleaning purposes.

## TUBE-O-MAT® CLASSIC



TUBE-O-MAT® CLASSIC	
Article	For
89585	WTF
89587	Finishers

TUBE-O-MAT® CLASSIC JUMBO	
Article	For
89685	WTF
89687	Finishers



### TUBE-O-MAT® CLASSIC trough and dosage part

TUBE-O-MAT® CLASSIC is especially developed for finishers. It is supplied with an extra strengthened feed outlet, thus it can withstand the large pigs constant activation. The trough of the CLASSIC models is designed to prevent the feed from getting wet and clumpy and the feed from getting into the water bowls.

MASTER TRADING

MASTER TRADING • KIRKEVÆNGET 5 • 7400 HERNING • DENMARK

www.mastertrading.dk • Tel. +45 9744 6677

# TUBE-O-MAT®

Low feed consumption with simple tools...

## TUBE-O-MAT® TUBE

The first model of TUBE-O-MAT® was launched for more than 20 years ago - it was the TUBE feeder. Later on the hopper models have appeared, and since then our feeders have been demanded all over the world. The reason is simple - our feeders ensure functionality and high quality, that meet your requirements and needs: you will certainly get feed intake from day one - and calm animals in the stall.

The original TUBE-O-MAT® TUBE model has always been characterized by its simplicity: a vertical transparent tube, facing down on a flat surface. The tube can move back and forth and thus the dosage can take place by adjusting the distance to the flat surface. Super simple!

Many of our customers are glad because of this simplicity, and when we talk about finishers or weaners above 15 kg, it is a very functional and competitive feeder. The vertical tube is perfect to ensure that there is no bridging.

### FACTS

#### Volume

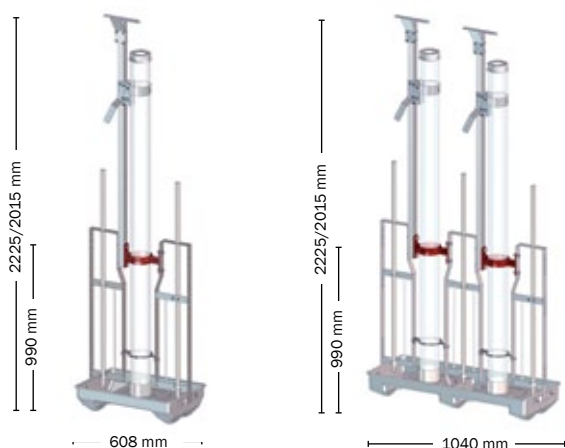
Tube	16 l / approx. 12 kg
Tube Jumbo	32 l / approx. 24 kg

#### Capacity per trough

Finishers 18-120 kg	30-50 pigs
Jumbo	50-70 pigs

#### Water supply

23 x 2 mm stainless steel tube with internal thread
Stainless steel push valve



## TUBE-O-MAT® TUBE

The most simple and functional feeder for finishers on the market. Vertical feed tubes in clear plastic ensure a quick and maximum overview.

TUBE-O-MAT® TUBE	
Article	For
89504	Finishers

TUBE-O-MAT® TUBE JUMBO	
Article	For
89684	Finishers

Subject to changes in materials and design reserved.

B-1500-GB

MASTER TRADING

MASTER TRADING • KIRKEVÆNGET 5 • 7400 HERNING • DENMARK

www.mastertrading.dk • Tel. +45 9744 6677