

M-8605\_GB

# MOUNTING INSTRUCTION



**INN-O-LED**



**ACO FUNKI A/S**

Kirkevænget 5  
DK-7400 Herning

Tel. +45 9711 9600

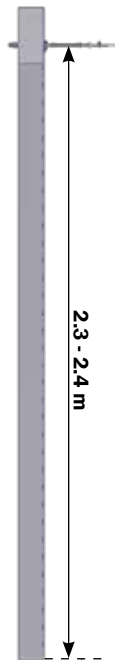
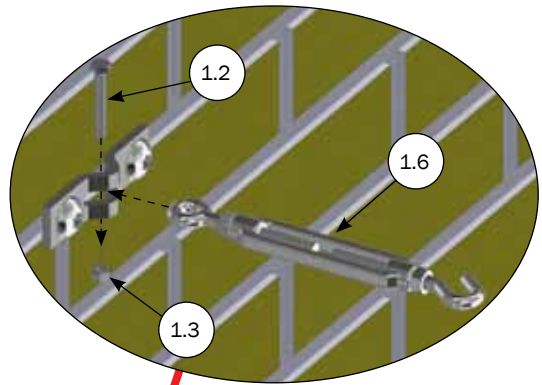
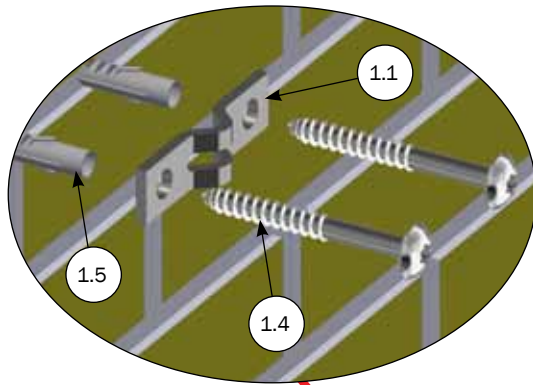
Fax +45 9711 9677

[www.acofunki.com](http://www.acofunki.com)

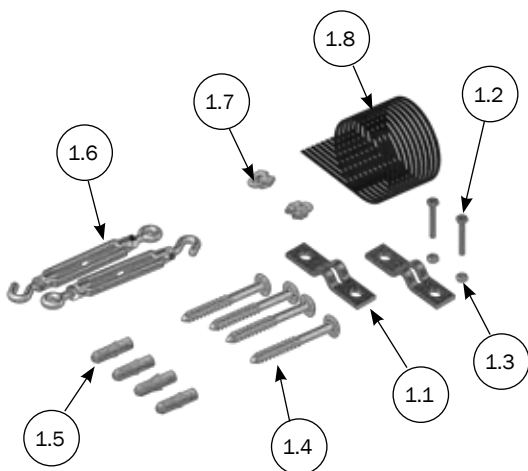
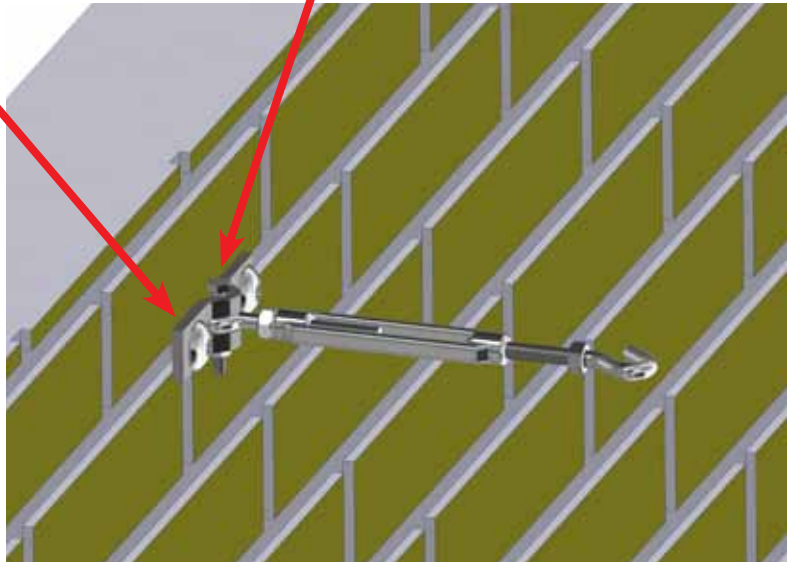
**FUNKI**

**DANISH DESIGN | GERMAN QUALITY | GLOBAL EXPERIENCE**

## Mounting of assembler washing wall for INN-O-LED



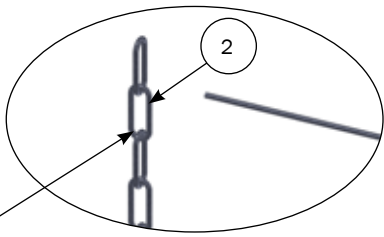
The recommended distance between the floor and the wire is **2.3-2.4 meter**.



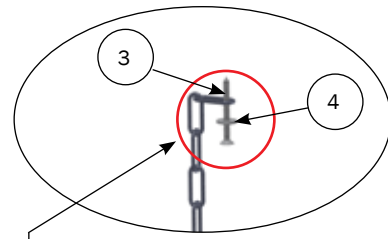
PARTS LIST			
No.	PCS.	ITEM No.	DESCRIPTION
1		60450	ASSEMBLER WASHING WALL H75, INN-O-LED
1.1	2	92580	WALL BRACKET FOR STAY TIGHTENER
1.2	2	30306040	SET SCREW M6X40 STAINLESS
1.3	2	33506010	NUT M6 A2 DIN 934
1.4	4	67444	10 X 70 BUTTON HEAD TORX 50 STAINLESS STEEL
1.5	4	39900001	12 X 60 NYLON WALL ANCHOR
1.6	2	0591-171	TURN BUCKLE 8 MM ST
1.7	2	0591-174	WIRE LOCK 5 MM ST
1.8	11	76200023	CABLE TIE 300X4,8 MM

## Mounting of wire for INN-O-LED

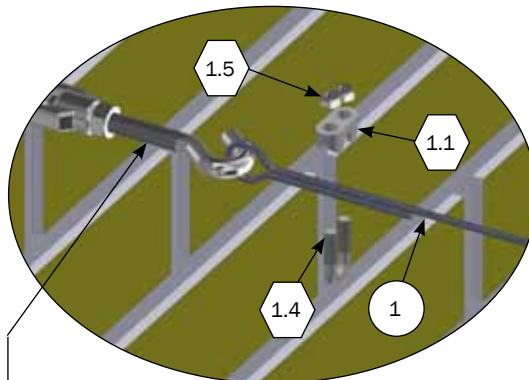
⬡ For parts list look at page 2



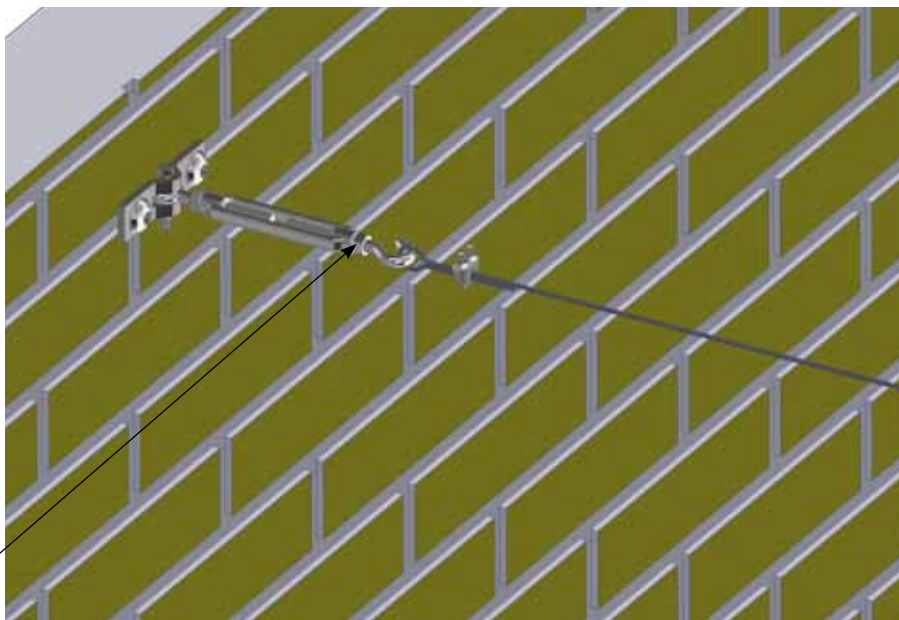
**POS No 2.** For every 3 meter.



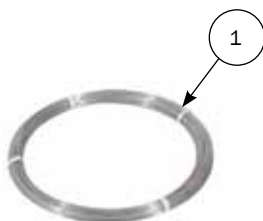
Mounting of the chain in the ceiling.



Before mounting of the wire is the turn buckle unscrewed



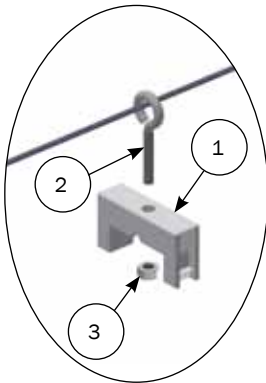
Tighten the wire again after mounting the wire.



PARTS LIST			
No.	PCS.	ITEM No.	DESCRIPTION
		02900000	GALVANIZED SPRING WIRE Ø3,0 MM
1	1	02900021	PIANO WIRE 2.1 MM STAINLESS STEEL
2	1	09000024	CHAIN (GALVANIZED) PRICE PER METER
3	1	25000039	CHIPBOARD SCREW 5X50 US-SLOTORX A2
4	1	68695	5 MM WASHER DIN 9021, FZD

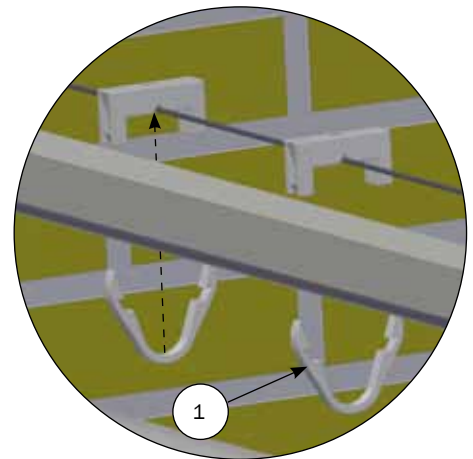
## Mounting of plastic holder for INN-O-LED on wire

### Mounting on wire

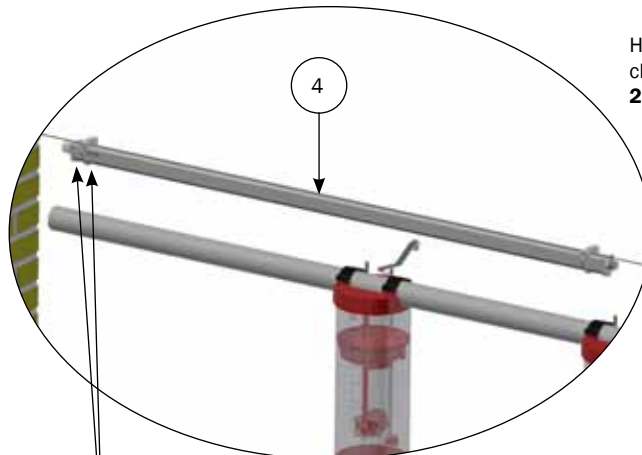


Holder mounted with an eye screw on the wire.

### Mounting directly on wire



Holder is placed directly on the wire and then clicked together around the fixture and wire. **2 holders per fixture.**



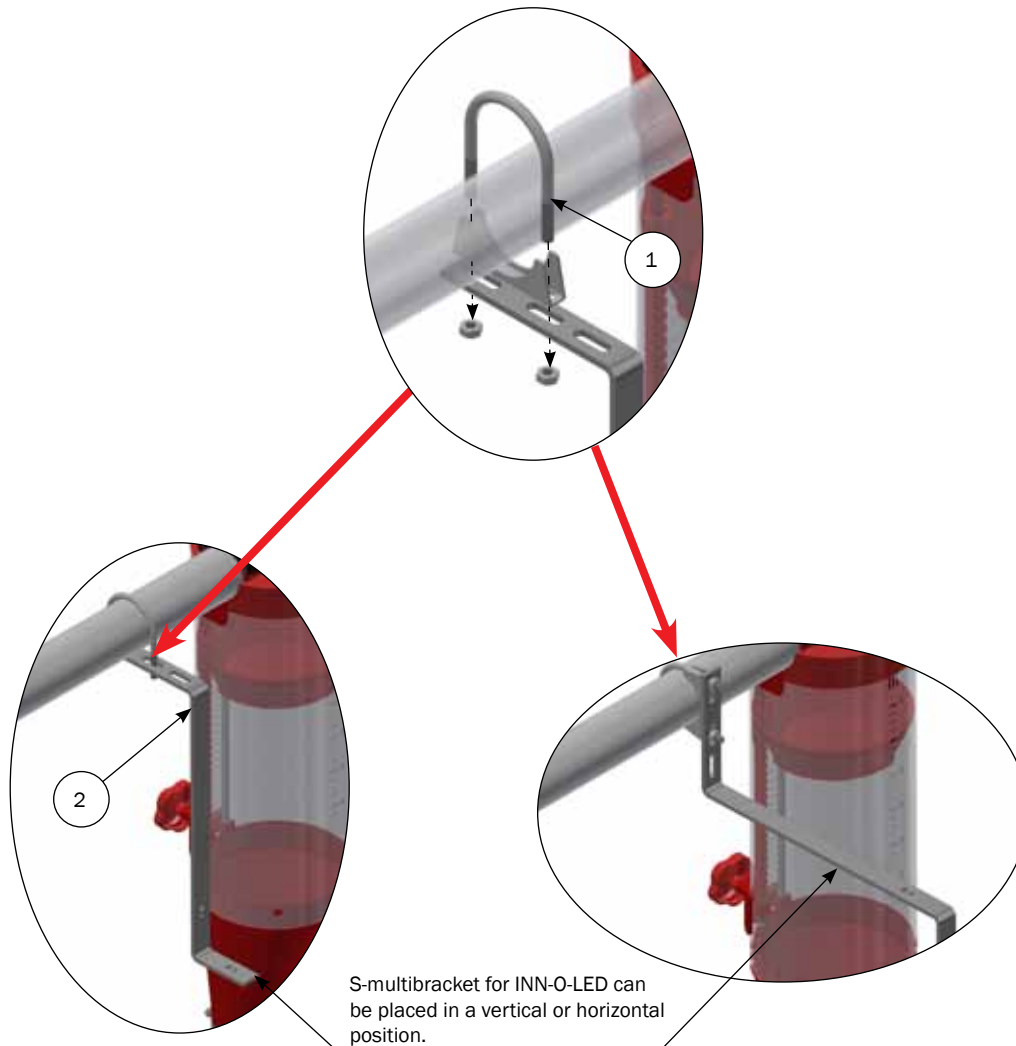
Plastic holder has to be placed as far out towards the ends of the fixture as possible.



For greater light scattering use:  
**560762 INN-O-LED P/P 150CM/30W 4000KV-MODEL**  
 or  
**560763 INN-O-LED P/P 150CM/30W 6000KV-MODEL**

PARTS LIST			
No.	PCS.	ITEM No.	DESCRIPTION
<b>MOUNTING OF HOLDERS FOR INN-O-LED ON WIRE</b>			
1	1	560590	INN-O-LED PLAST HOLDER SÆT
2	1	560590	INN-O-LED PLAST HOLDER SÆT
3	1	33206010	MØTRIK M6 FZB DIN 934
4	1	560760	INN-O-LED P/P 150CM/25W 4000K
		560761	INN-O-LED P/P 150CM/25W 6000K
		560764	INN-O-LED P/P 190CM/30W 6000K
<b>MOUNTING OF HOLDERS FOR INN-O-LED DIRECTLY ON WIRE</b>			
1	1	560590	INN-O-LED PLAST HOLDER SÆT
4	1	560760	INN-O-LED P/P 150CM/25W 4000K
		560761	INN-O-LED P/P 150CM/25W 6000K
		560764	INN-O-LED P/P 190CM/30W 6000K

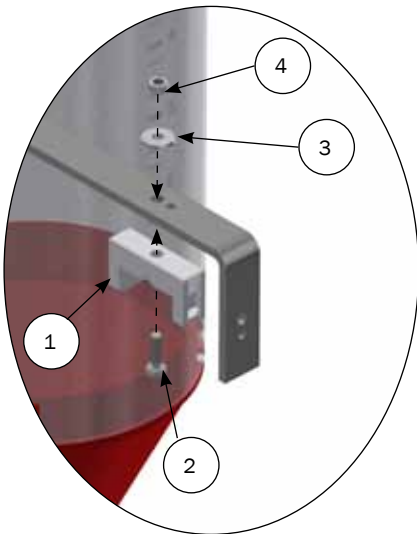
## Mounting of S-multibracket on pipe



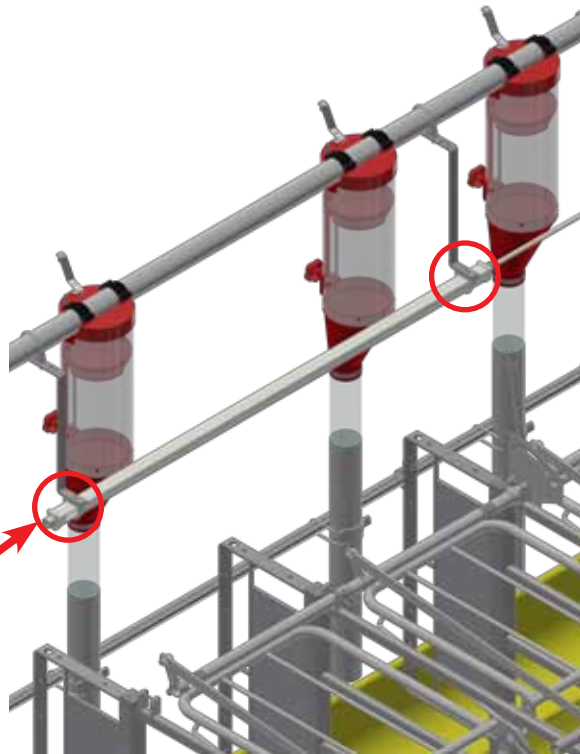
PARTS LIST			
No.	PCS.	ITEM No.	DESCRIPTION
		39900102	CLAMP SET Ø38
		39900104	CLAMP SET Ø50
		39900105	CLAMP SET Ø76
1	1	39900103	CLAMP SET Ø60
2	1	560585	S-MULTIBRACKET FOR INN-O-LED

## Mounting of plastic holder for INN-O-LED

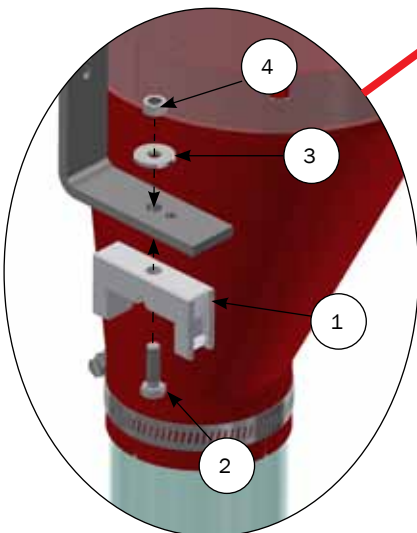
### Mounting on S-multibracket



Monting of holder on S-multibracket when the bracket is in horizontal position.

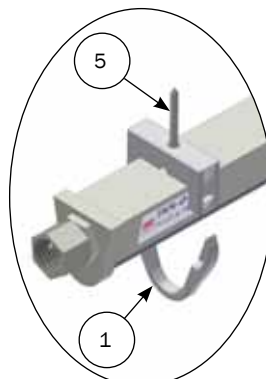


For optimal lighting the fixture must be placed directly above the sows heads.

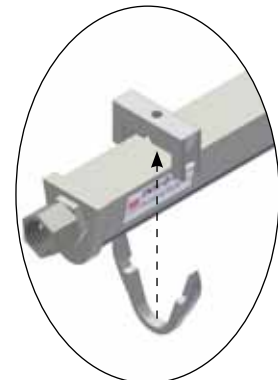


Monting of holder on S-multibracket when the bracket is in vertical position.

### Mounting in ceiling



Holder monted directly in the ceiling with a chipboard screw.

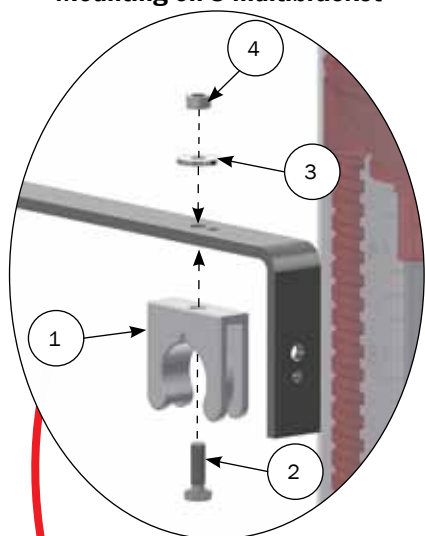


Mount **2 INN-O-LED plastic holder** for each fixture, which are clicked together around the fixture.

PARTS LIST			
No.	PCS.	ITEM No.	DESCRIPTION
<b>MOUNTING OF HOLDERS FOR INN-O-LED ON S-MULTIBRACKET</b>			
1	1	560590	INN-O-LED PLASTIC HOLDER SET
2	1	30206020	SET SCREW M6X20 FZB DIN 933
3	1	35600093	NUT WASHER Ø6X6,4/18/1,6 A2 DIN 9021
4	1	33206010	NUT M6 FZB DIN 934
<b>MOUNTING OF HOLDERS FOR INN-O-LED IN THE CEILING</b>			
1	1	560590	INN-O-LED PLASTIC HOLDER SET
5	1	25000039	CHIPBOARD SCREW 5X50 US-SLOTORX A2

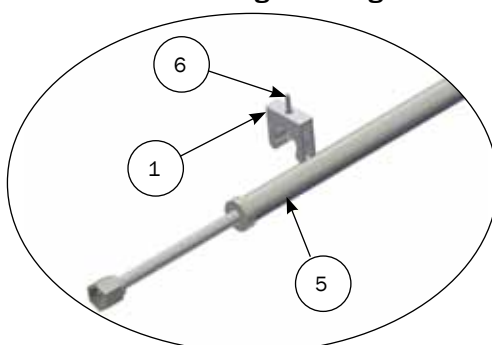
# Mounting of holder for INN-O-LED pipe

## Mounting on S-multibracket



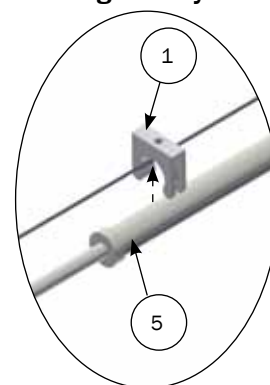
Holder mounted on S-multibracket

## Mounting in ceiling



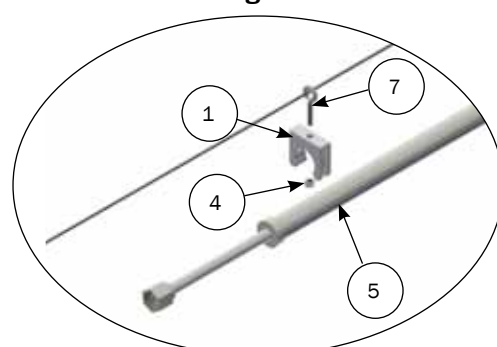
Holder mounted in the ceiling

## Mounting directly on wire

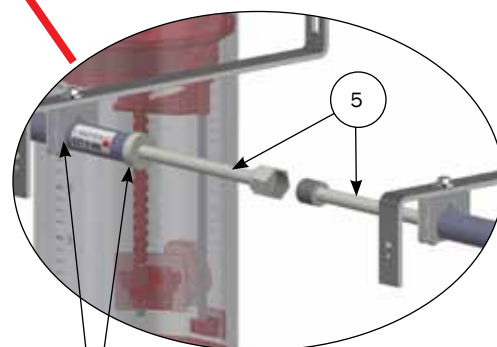


Holder placed directly on wire.

## Mounting on wire



Holder mounted on wire

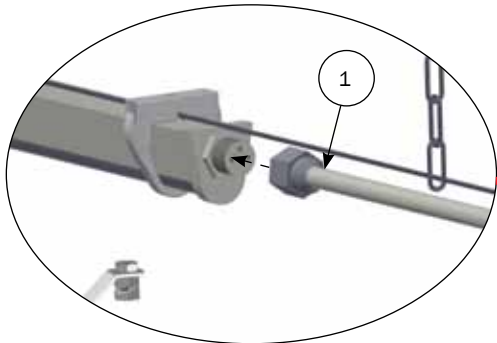


Holder is placed as far out towards the ends of the fixture as possible.

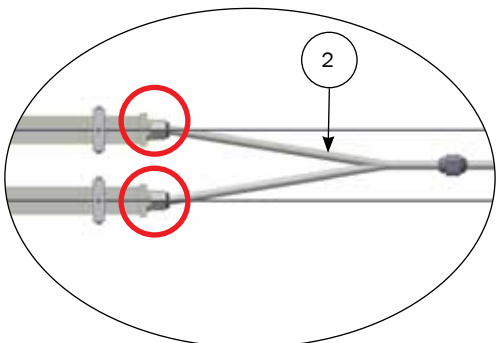
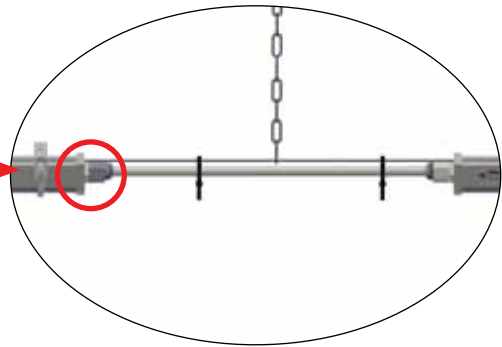
### PARTS LIST

No.	PCS.	ITEM No.	DESCRIPTION
<b>MOUNTING OF HOLDERS FOR INN-O-LED PIPE ON S-MULTIBRACKET</b>			
1	1	8500510	HOLDER FOR INN-O-LED TUBE
2	1	30206020	SET SCREW M6X20 FZB DIN 933
3	1	35600093	NUT WASHER Ø6X6,4/18/1,6 A2 DIN 9021
4	1	33206010	NUT M6 FZB DIN 934
5	1	560770	INN-O-LED PIPE P/P 150CM/25W 6000K
<b>MOUNTING OF HOLDERS FOR INN-O-LED PIPE IN THE CEILING</b>			
1	1	8500510	HOLDER FOR INN-O-LED TUBE
5	1	560770	INN-O-LED PIPE P/P 150CM/25W 6000K
6	1	25000039	CHIPBOARD SCREW 5X50 US-SLOTORX A2
<b>MOUNTING OF HOLDERS FOR INN-O-LED PIPE DIRECTLY ON WIRE</b>			
1	1	8500510	HOLDER FOR INN-O-LED TUBE
5	1	560770	INN-O-LED PIPE P/P 150CM/25W 6000K
<b>MOUNTING OF HOLDERS FOR INN-O-LED PIPE ON WIRE</b>			
1	1	8500510	HOLDER FOR INN-O-LED TUBE
4	1	33206010	NUT M6 FZB DIN 934
5	1	560770	INN-O-LED PIPE P/P 150CM/25W 6000K
7	1	39900065	EYE SCREW M6X30 FZB

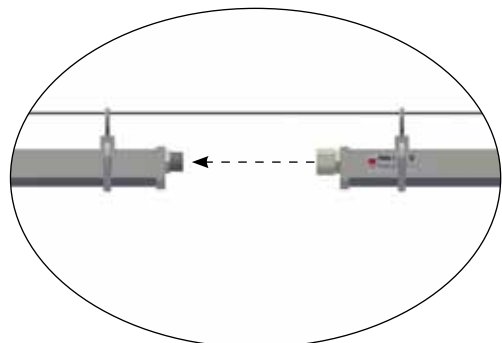
## Mounting of cables and endplugs on fixture



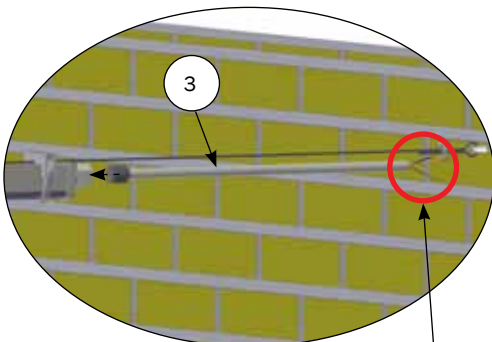
Inn-o-led cable is plugged into the fixture.



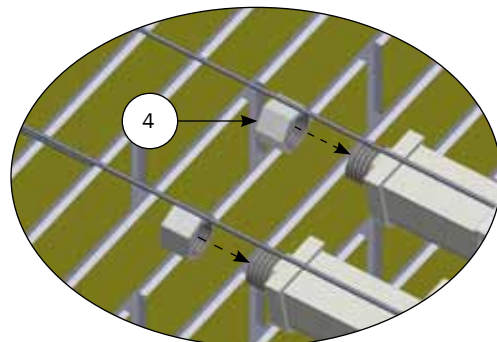
Inn-o-led y-split cable plugged into the fixture.



Fixture can also be connected directly.



Start cable can be connected directly to the socket or plugged in.



Always end with an end plug.

PARTS LIST			
No.	PCS.	ITEM No.	DESCRIPTION
<b>MOUNTING OF CABLE FOR INN-O-LED</b>			
1	1	560777	INN-O-LED 40 CM P/P CABLE
		560778	INN-O-LED 150 CM P/P CABLE
		560779	INN-O-LED 300 CM P/P CABLE
		560780	INN-O-LED 600 CM P/P CABLE
<b>MOUNTING OF Y-SPLIT FOR INN-O-LED</b>			
2	1	560781	INN-O-LED Y-SPLIT P/P CABLE
<b>MOUNTING OF START CABLE FOR INN-O-LED</b>			
3	1	560776	INN-O-LED 150 CM START CABLE WITH OUTPLUG
<b>MOUNTING OF ENDEPLUG FOR INN-O-LED</b>			
4	1	560782	INN-O-LED ENDEPLUG