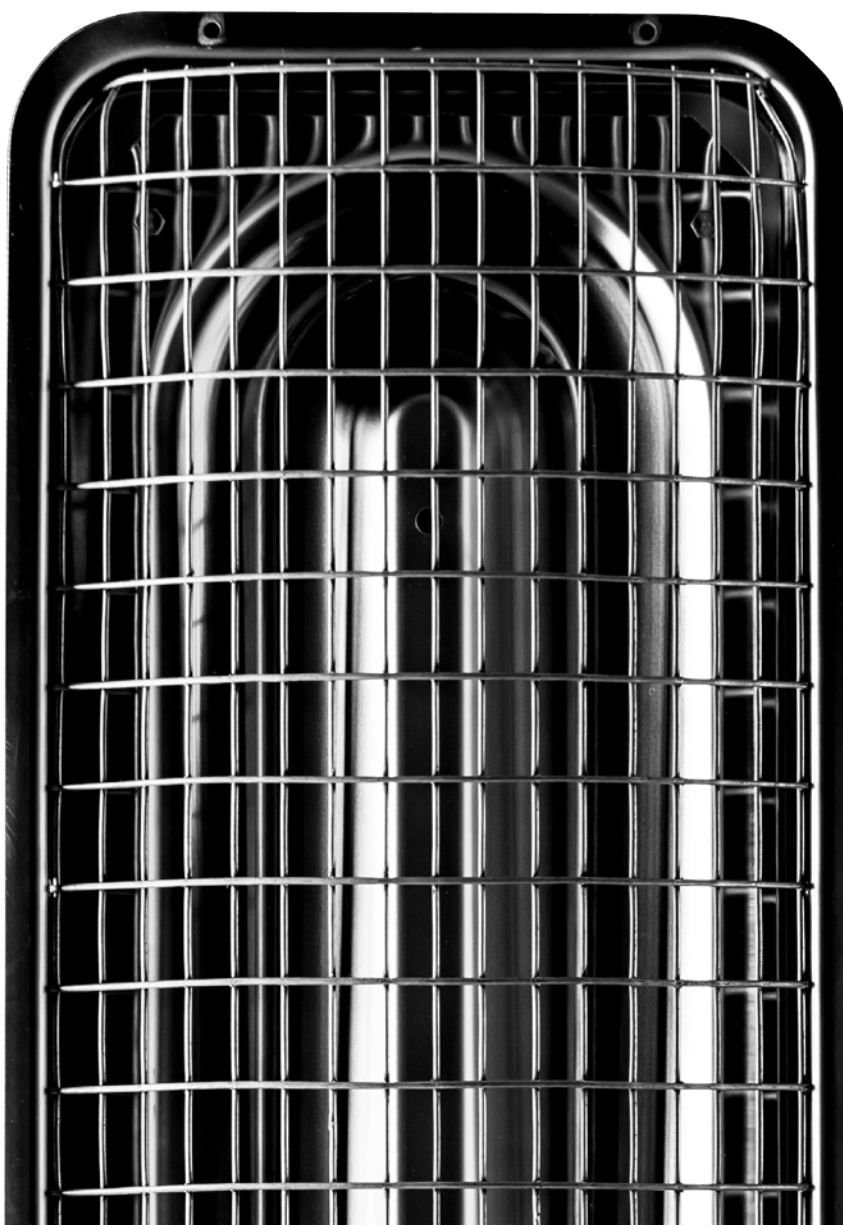


# | MASTER HEATER |

The new generation of heating lamp

## INSTALLATION GUIDE

M-8401\_GB



UNITED STATES PATENT



FUNKI

# DESCRIPTION

Master Heater

**100%**  
MAINTENANCE  
FREE

EU 220 - 240 V  
Canada/USA 110- 120 V

Consumption	100W - or 150W
Connection	Select the plug / connector suitable for your stable <b>(Not included)</b>
Set content	Master Heater
Ambient temperatures	-10/+40 degrees
IP Class	IPX9K

## Advantages of Master Heater

- **Reducing energy**

Reducing energy consumption in the stables by up to 50% when combined with dual control.

- **Even distribution of heat**

Providing a more even distribution of heat than traditional heating lamps. This ensures better food intake and higher survival rates among piglets and reduces the use of medicine.

- **Waterproof IPX9K approved**

Master Heater is IPX9K classified, which means that it can resist water jets under pressure from all angles without being damaged. This results in easy cleaning, as cleaning of the cage and lamp can be done with a high pressure cleaner, without the need to remove the lamp first. This helps maintain a good hygiene in the stable.

- **Long lifetime**

The Master Heater is made with a heating element instead of a incandescent light bulb in the traditional heating lamps, which prolongs the life of it. 1 year warranty.

- **Low fire risk**

Master Heater works at a lower temperature than traditional heating lamps, which reduces the risk of fire.

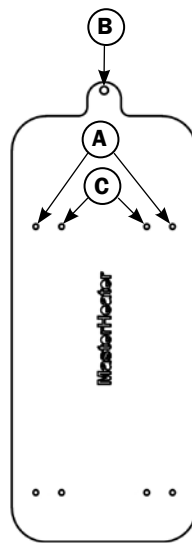
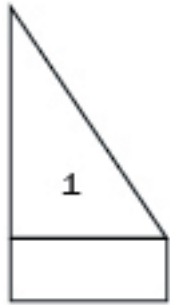
**100%**  
WATERPROOF



# INSTALLATION PREPARATION

Master Heater

Drilling template  
Item no. 8440156



## Preparation / drilling template

If the housing inventory is already prepared for Master Heater - proceed to step 2.

The Master Heater may be placed in pos. 1 only.

The drilling template can be ordered separately, Item no. 8440156, and placed where the Master Heater is to be installed (1).

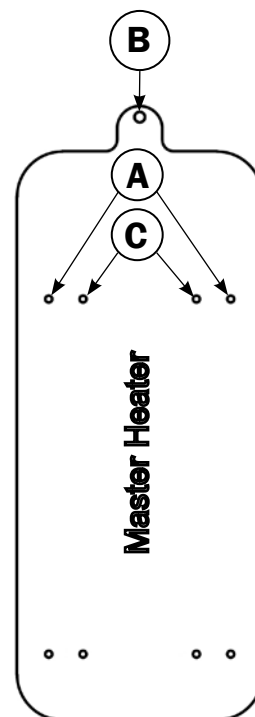
### Before assembly

Make sure that the lid can be opened and closed after Master Heater is mounted, and make sure that the safety distance to floor and flammable materials remains in compliance with applicable laws and recommendations.

**Warning!** Before drilling, you must check that no pipes, fittings or anything else in the way of the drilling.

# INSTALLATION

## Master Heater



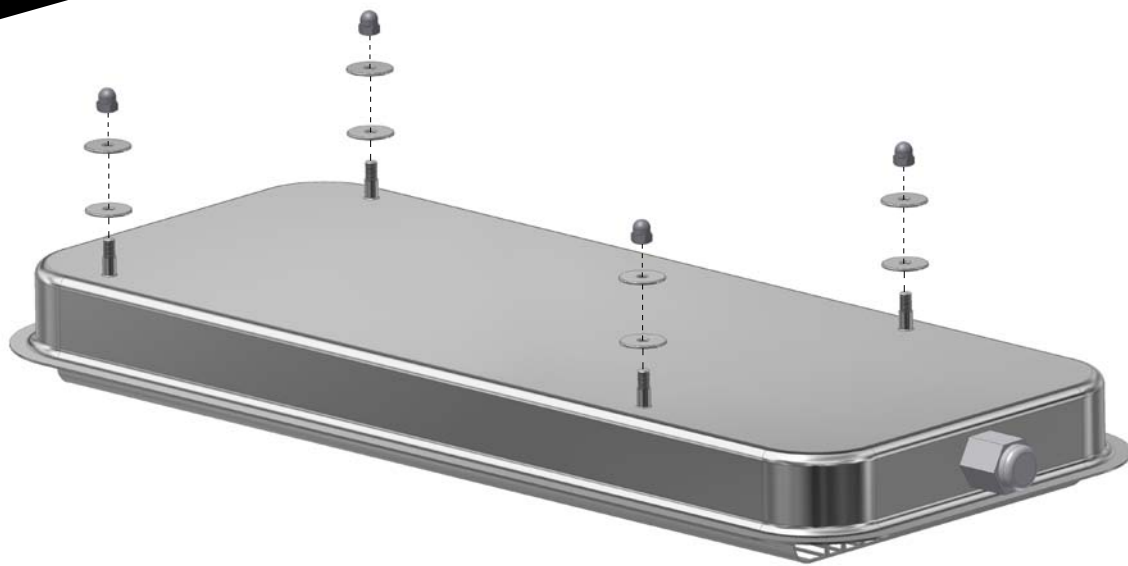
Electricity and controls must be installed by an authorized electrician.  
Master Heater has to be connected to ground/earth wire.

### How to install Master Heater:

- Minimum 450 mm above the floor, and with a distance of minimum 450 mm to all kinds of flammable material
- The holes on the template Item no. 8440156 marked with **A**, are to be drilled with a 6 mm drill (4 pcs.)
- The holes on the template Item no. 8440156 marked with **C**, are to be drilled with a 6 mm drill (4 pcs.)
- The hole on the template Item no. 8440156 marked with **B**, is to be drilled with a 9,5 mm drill

# INSTALLATION

Master Heater



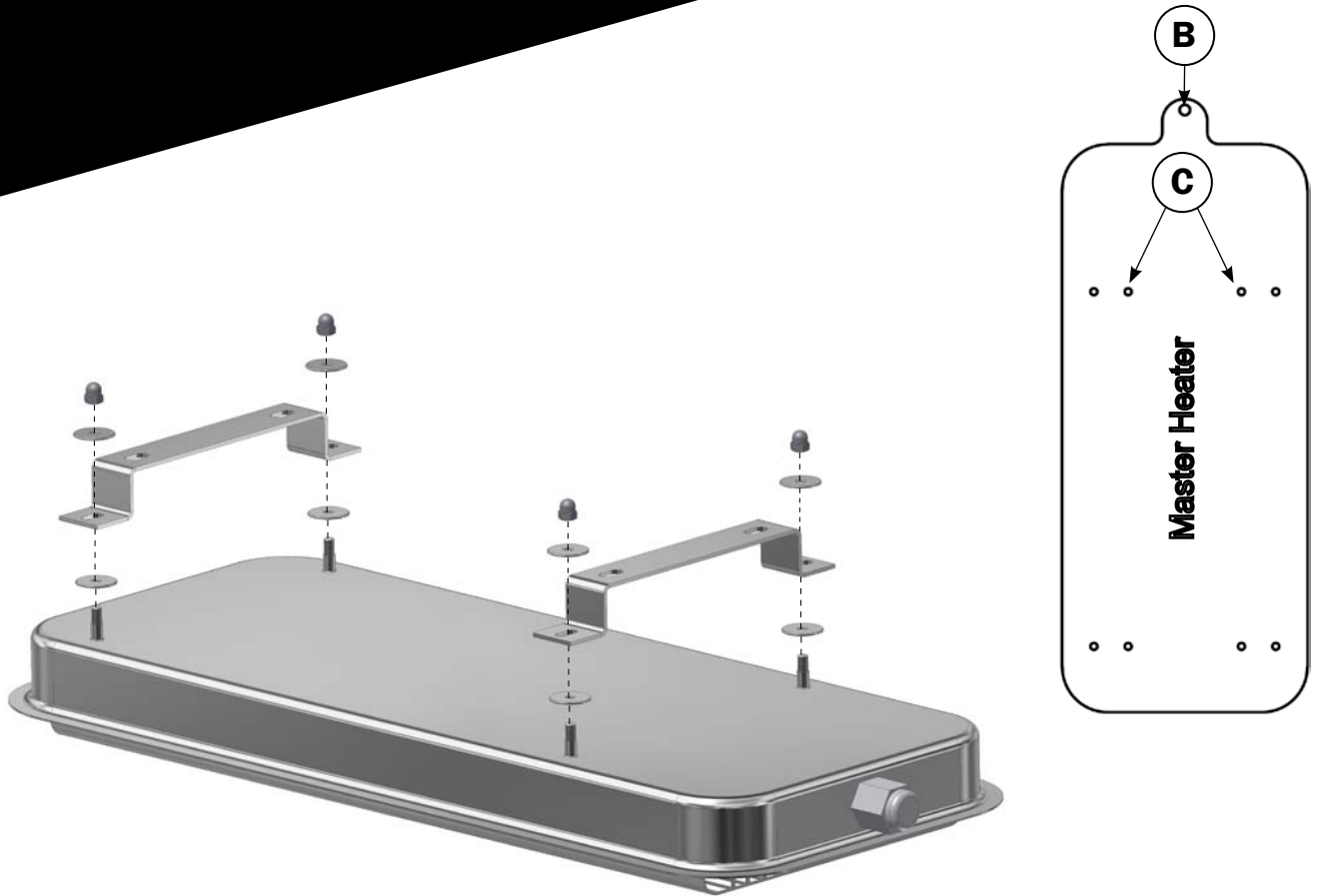
## Mounting against piglet cover

- Place the Master Heater on the floor/table, aligned with the holes drilled in the roof of the cave.
- The Master Heater is placed with the wire net protection facing the floor, and the bolts with one metal washer on each, facing up.
- The electric wire goes through the drilled hole **(B)** elevating the Master Heater so the 4 bolts match the 4 drilled holes **(A)** on the inside of the lid.
- When the bolts have gone through, one metal washer is added to each bolt. The hex-domed cap nuts are then mounted on the 4 bolts.
- Make sure that the electric wire is pulled tightly through. The hex-domed cap nuts are tightened, with e.g. a ratchet wrench 7mm.

**Make sure that the electric wire is pulled tightly through, so that the animals are not able to bite the electric wire. The warranty does not cover wire bites.**

# INSTALLATION

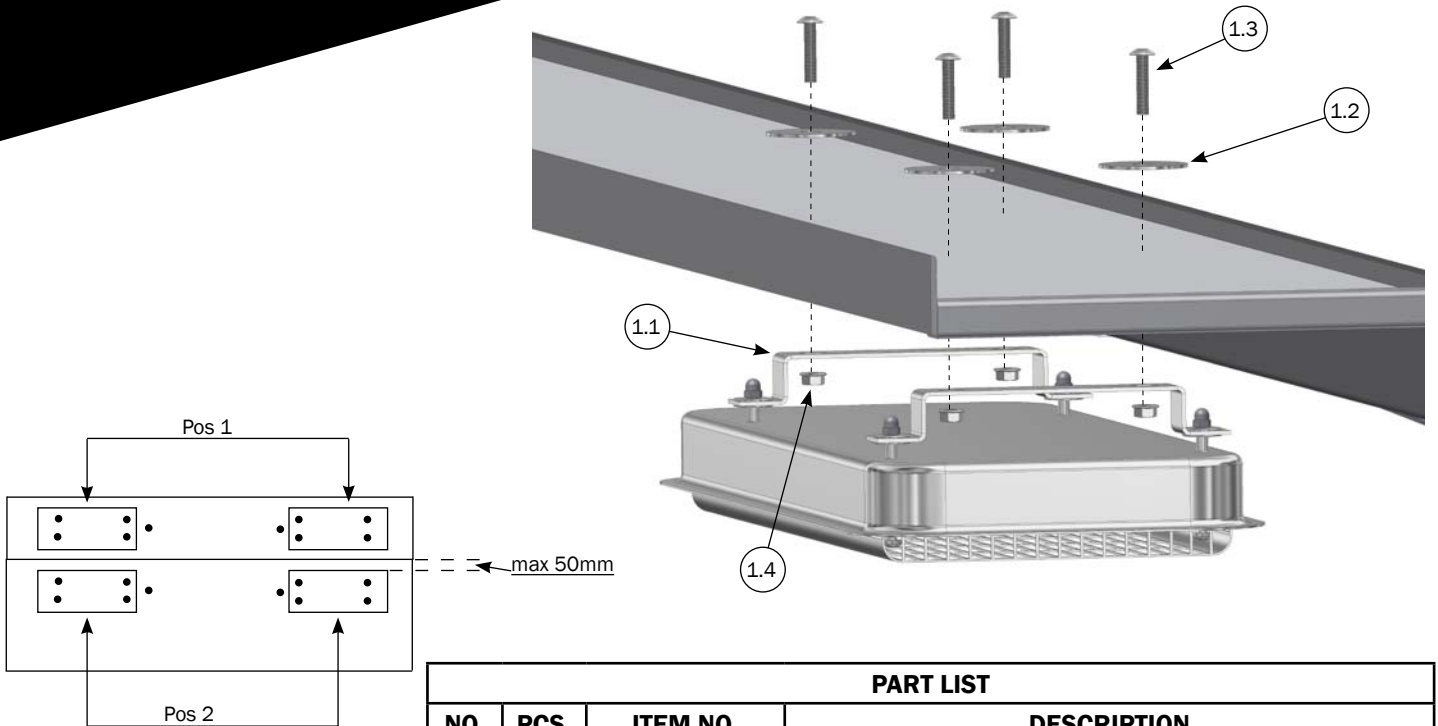
Master Heater



- Place Master Heater on the floor/table, below the holes drilled in the roof of the cave.
- Master Heater have the wire net protection towards the floor, and the bolts with one metal disk on each facing up and mount 4900532

# INSTALLATION

Master Heater



PART LIST			
NO.	PCS.	ITEM NO.	DESCRIPTION
1	1	4900532	MOUNTING KIT FOR MASTER HEATER ON FLEXCOVER
1.1	2	8050121	SUPPORT FOR MASTER HEATER
1.2	4	20037	MASTER CLAMP WASHER Ø10,5/45 1,5 A2
1.3	4	39106030	CONNECTION SCREW M6X30 STAINLESS TORX 30
1.4	4	33506011	COLLAR HEAD NUT M6 A2 DIN 6923

## Mounting against flex cover

- The electric wire goes through the drilled hole (**B**) elevating the Master Heater so the 4 bolts match the 4 drilled holes (**C**) on the inside of the lid.
- When the bolts have gone through, one metal washer is added to each bolt. The hex-domed cap nuts are then mounted on the 4 bolts.
- Make sure that the electric wire is pulled tightly through. The hex-domed cap nuts are tightened, with e.g. a ratchet wrench 7mm.

**Make sure that the electric wire is pulled tightly through, so that the animals are not able to bite the electric wire. The warranty does not cover wire bites.**

# USER GUIDE

Master Heater

## Application

- When the Master Heater is plugged in, make sure that the Master Heater is functioning correctly, by feeling with one hand on the wire net protection. You should be able to feel heat.
- **WARNING!** Do not touch the heating element under the wire net protection, risk of burns.
- The Master Heater is turned off by disconnecting the power.



The heater must not be touched when the power is on



Wait 30 minutes after the lamp is turned off before touching Master Heater



Do not place flammable materials within a 450 mm. distance from the Master Heater



# MAINTENANCE

## Master Heater

### Maintenance

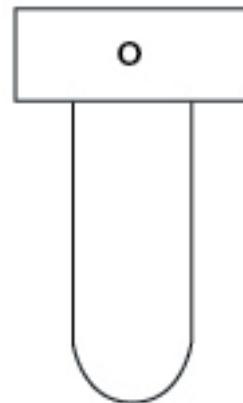
The Master Heater is 100% waterproof (IPX9K) and can be cleaned with a high pressure washer. It is not necessary to remove the Master Heater when cleaning the pen, which saves time in the stable.

**WARNING! Wait at least 30 min. after turning off the Master Heater, before cleaning or repairing it.**

- Before the repair and maintenance of the Master Heater, make sure that the power is turned off and the lamp has had a cooling time of at least 30 minutes.
- The Master Heater consists of 4 parts: Wire net protection, heater with electric wire and plastic block, dish and lamp housing. All parts can be replaced.
- The Master Heater should not be used if it is damaged in any way, has cracks / holes, or if there are damages on the electric wire, connector or heater.
- Inspect The Master Heater for damage regularly, however at least every six months.

# REPLACEMENT OF HEATING ELEMENT

Master Heater



- Disconnect the Master Heater from the power. We recommend that an authorized electrician performs the replacement.
- Wait 30 minutes for the heater to cool down.
- Loosen the wire net protection on the Master Heater on one side, e.g. with a plier.
- Loosen the two lock nuts in the plastic block, and remove them using a ratchet wrench (7 mm). The 2 metal washers are also removed.
- Loosen the electric wire.
- The 2 bolts holding the heating element are removed.
- The heating element is removed.
- The new heating element is mounted, by first inserting the wire (O must face up) and the heating element pulled up in place.
- Apply the bolts, metal washers and the hex-domed cap nuts. The hex-domed cap nuts are tightened with a ratchet wrench 7 mm.

# WARRANTY

Master Heater

**1 year warranty is provided on the Master Heater.**

If you have any complaints during the warranty period, please contact your local supplier. Please note that any form of malfunctioning caused by bites in the electrical wiring are NOT covered by the warranty.



**| FUNKI |**

**ACO FUNKI A/S**

Kirkevænget 5 | 7400 Herning  
+45 9711 9600 | [www.acofunki.com](http://www.acofunki.com)

