

M-1036_GB

MOUNTING INSTRUCTION



BABY FEEDER



ACO FUNKI A/S

Kirkevænget 5
DK-7400 Herning

Tel. +45 9711 9600

Fax +45 9711 9677

www.acofunki.com

DANISH DESIGN | GERMAN QUALITY | GLOBAL EXPERIENCE

Parts list

PARTS LIST			
No.	PCS.	ITEM No.	DESCRIPTION
		0229-000	BABY FEEDER
1	2	70284	FRAME FOR TUBE-O-MAT 2008
1.1	1	18849	3IN1 STRUT OVER GALVANIZE
1.2	1	0229-021	NYLON FITTINGS FOR SENSOR PIPE BABY FEEDER
1.3	1	3950203	TROUGH FOR BABY FEEDER
1.4	1	0229-015	WATER PIPE FOR BABY FEEDER
1.5	1	0229-005	CENTER FEED DISTRIBUTOR FOR BABY FEEDER
1.6	1	33508014	ASSEMBLY NUT M8 A2 BN 14307 FOR BABY FEEDER
1.7	1	0229-011	FLANGE FOR MOTOR BABY FEEDER
1.8	1	0229-024	STIR FOR BABY FEEDER WITH 13 MM TOP
1.9	1	0229-012	CONTROL UNIT FOR BABY FEEDER INCL CABLES
1.10	1	0229-013	LEFT BRACKET FOR CONTROL UNIT BABY FEEDER
1.11	1	0229-019	SOLENOID VALVE FOR BABY FEEDER
1.12	1	60200	1/2-1/2' JOINT MALE THREAD/MALE THREAD PVC
1.13	1	23900357	BALL VALVE 1/2' - 1/2'
1.14	1	61148	SPEED UNION 8 MM MUFF/FEMALE THREAD
1.15	1	76200023	CABLE TIE 300X4,8 MM
1.16	1	70750	BOTTOM FOR HOPPER VI+
1.17	2	70752	TUBE-O-MAT@ VI+ COVER PART VI+ TRANSPARE
1.18	1	72181	TUBE-O-MAT@ VI+ SLIDING LATCH *A
1.19	2	72177	TUBE-O-MAT@ VI+ PIN DOSING UNIT
1.20	1	72185	TUBE-O-MAT@ VI+ COVER PLATE FOR LOCK *A
1.21	1	72182	TUBE-O-MAT@ VI+ SPRING LOCK *A
1.22	2	36308020	MUSHROOMHEADED BOLT M8X20 A2 DIN 603
1.23	4	67331	M8 X 20 BH SOCKET SCREW A2 ISO 7380
1.24	6	33908001	LOCK NUT M8 A2 DIN 985
1.25	6	33596010	M6 LOCK NUT DIN 985 EL-GALV
1.26	1	0229-014	RIGHT BRACKET FOR CONTROL UNIT BABY FEEDER
1.27	1	0229-020	PIPE FOR SENSOR BABY FEEDER
1.28	4	18843	STAINLESS BRACKET 1/2" M6
1.29	3	30306012	SET SCREW WITH COLLAR M6X12 A2
1.30	1	44006000	BALL BEARING 6000-2RS1
1.31	9	67162	M6 X 12 SCREW PAN HEAD WITH COLLAR A2 DI
1.32	1	0229-010	MOTOR 24V DC WITH CABLE AND PLUG FOR BABY FEEDER
1.33	4	38305015	HEXAGON SOCKET SCREW M5X16 A2DIN 912
1.34	4	33505008	NUT M5 A2 DIN 934
1.35	5	61012	HOSE 8 MM PE
1.36	1	61124	MALE COUPLER 1/2/8 MM
1.37	2	35600038	FACE PLATE 10 MM ST DIN 125
1.38	1	70711	TUBE-O-MAT@ HOPPER 2008
1.39	1	73710	HATCH RED 0.8% UV TUBE-O-MAT@ 2008
1.40	1	73700	LID PART HINGED TUBE-O-MAT@ 2008
1.41	2	73701	TUBE-O-MAT@ 2008 HINGE PIN HATCH 2008
1.42	7	33506011	COLLAR HEAD NUT M6 A2 DIN 6923
1.43	1	0229-023	PLATE FOR PREVENTING OF BLOCKING OF FEED IN BABY FEEDER
1.44	2	73711	COVER HOSE TUBE-O-MAT@ LID
*1.45	1	76481	BOLT SET FOR TOM AND LTD SINGLE
*1.46	4	33596010	LOCK NUT M6 A2 DIN 985
*1.47	12	33908001	LOCK NUT M8 A2 DIN 985
*1.48	4	67331	M8 X 20 BH SOCKET SCREW A2 ISO 7380
*1.49	6	30308025	SET SCREW M8X25 A2 DIN 933
*1.50	2	30308016	SET SCREW M8X16 A2 DIN 933
*1.51	2	35600037	FLAT WASHER Ø8X8,4/16/1,6 A2 DIN 125 A

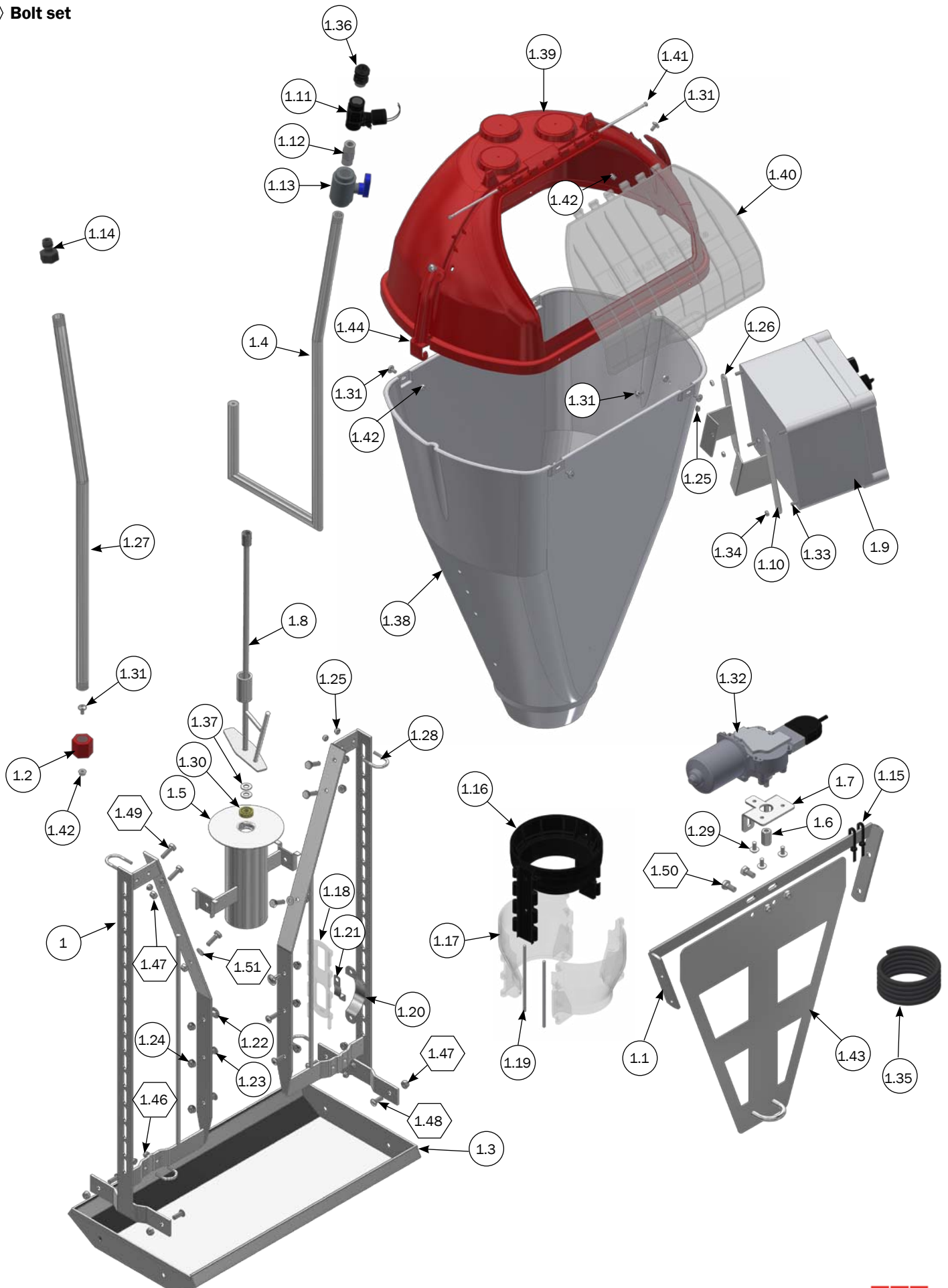
* Bolt SET

M-1036_GB

Parts list

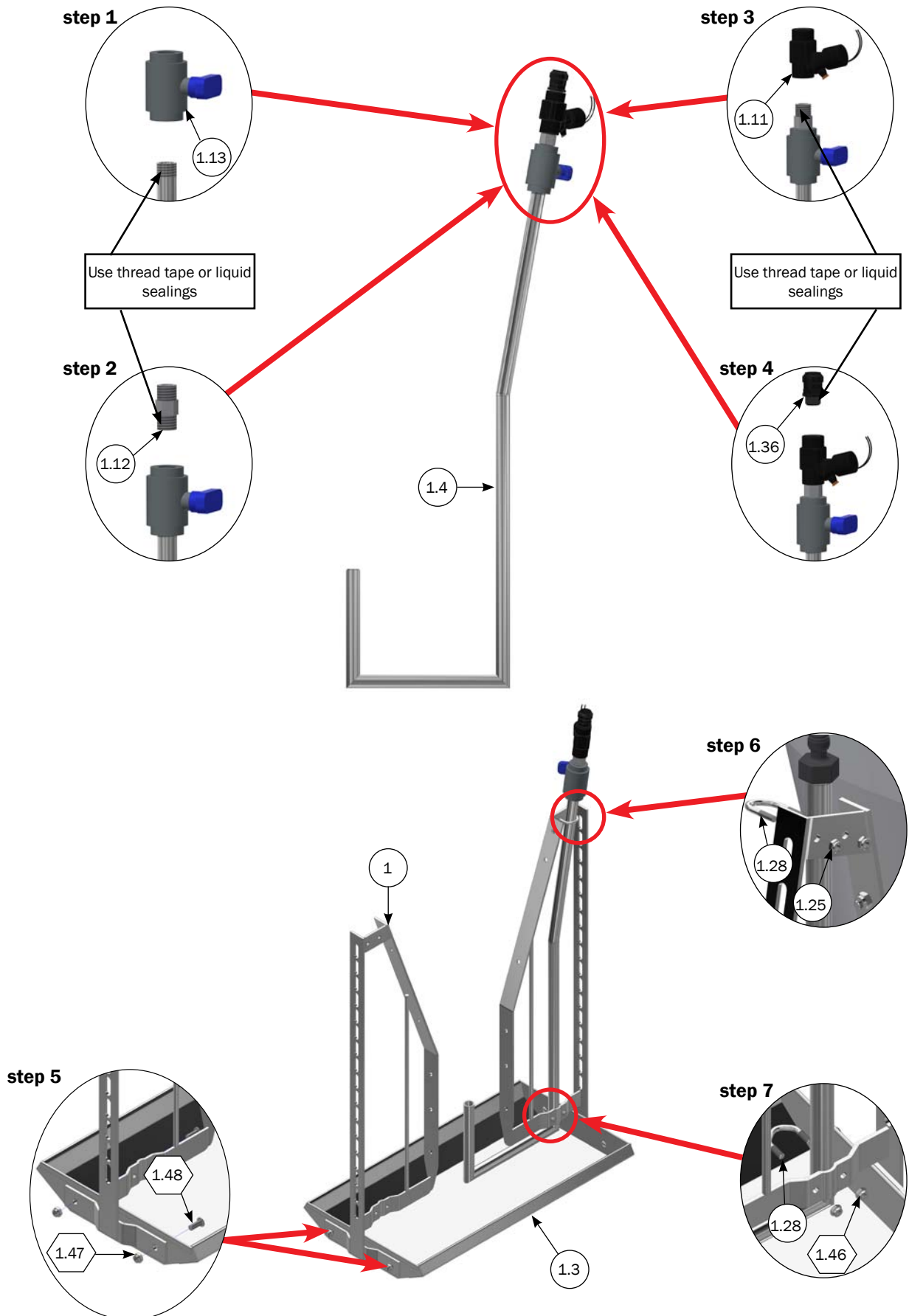
○ For parts list, look at page 2

⬡ Bolt set



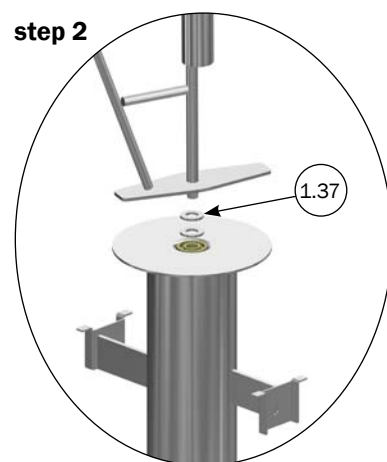
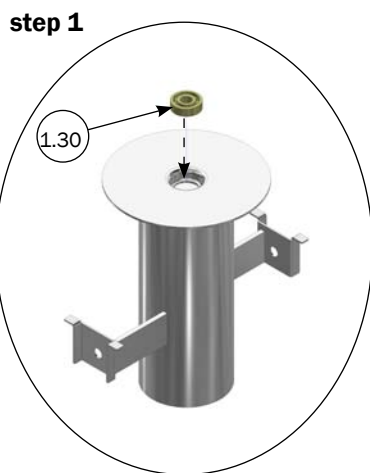
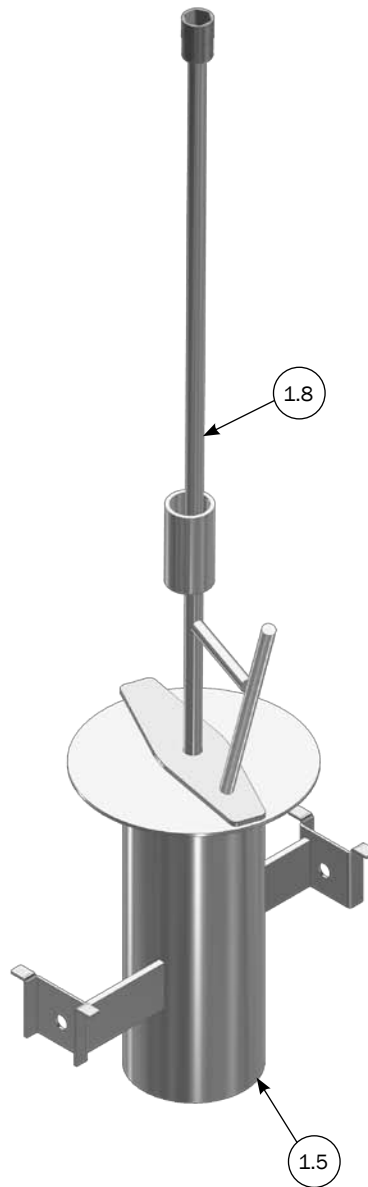
Mounting of water pipe and trough on frame

- For parts list, look at page 2
- ⬡ Bolt set



Preparing center for stir

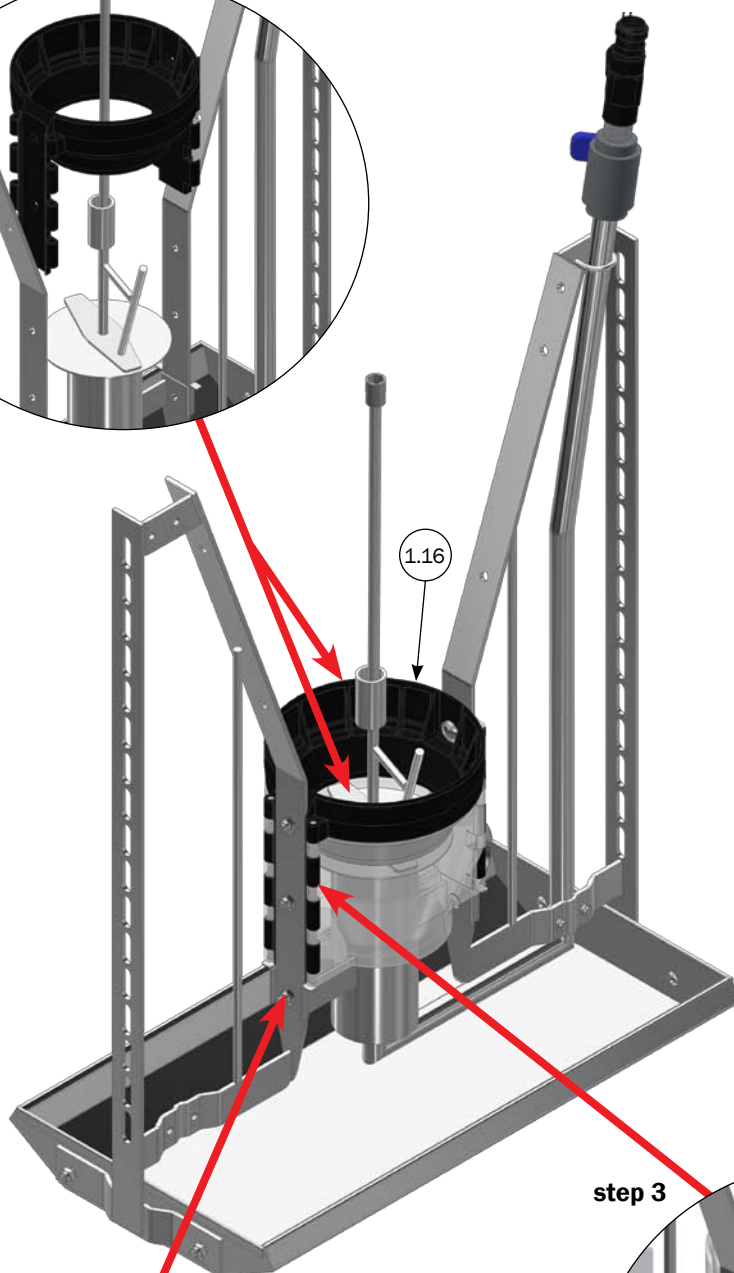
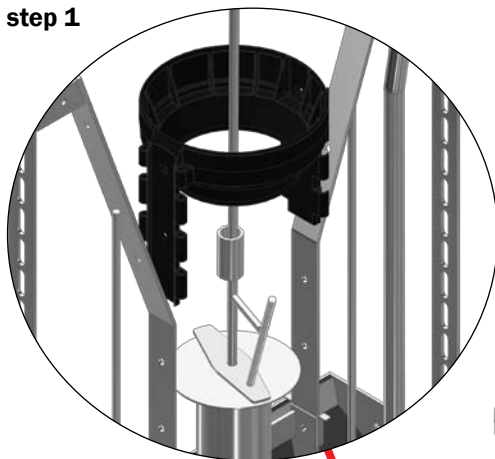
○ For parts list, look at page 2



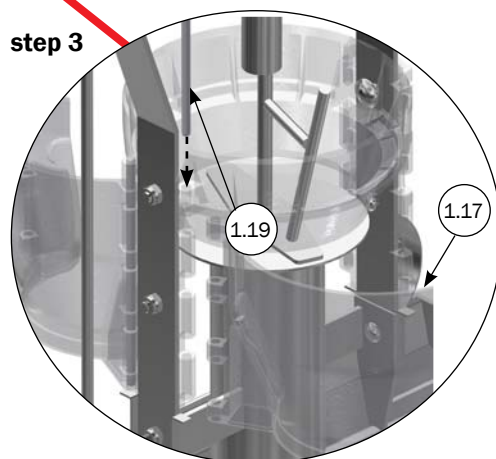
Mounting of center for stir, bottom for hopper, and cover part

○ For parts list, look at page 2

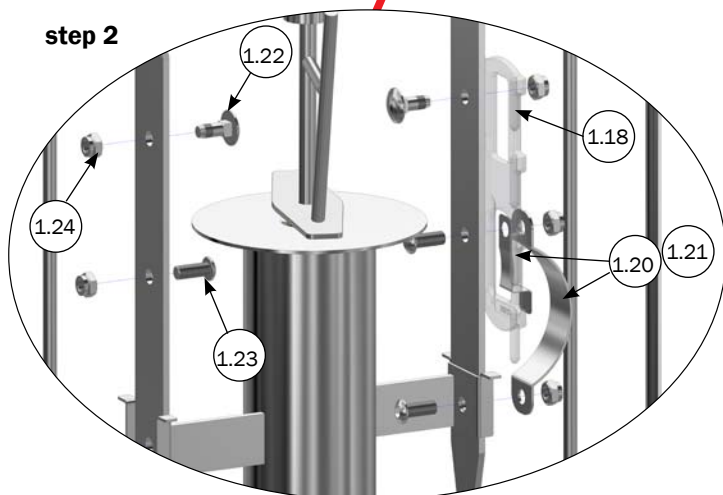
step 1



step 3

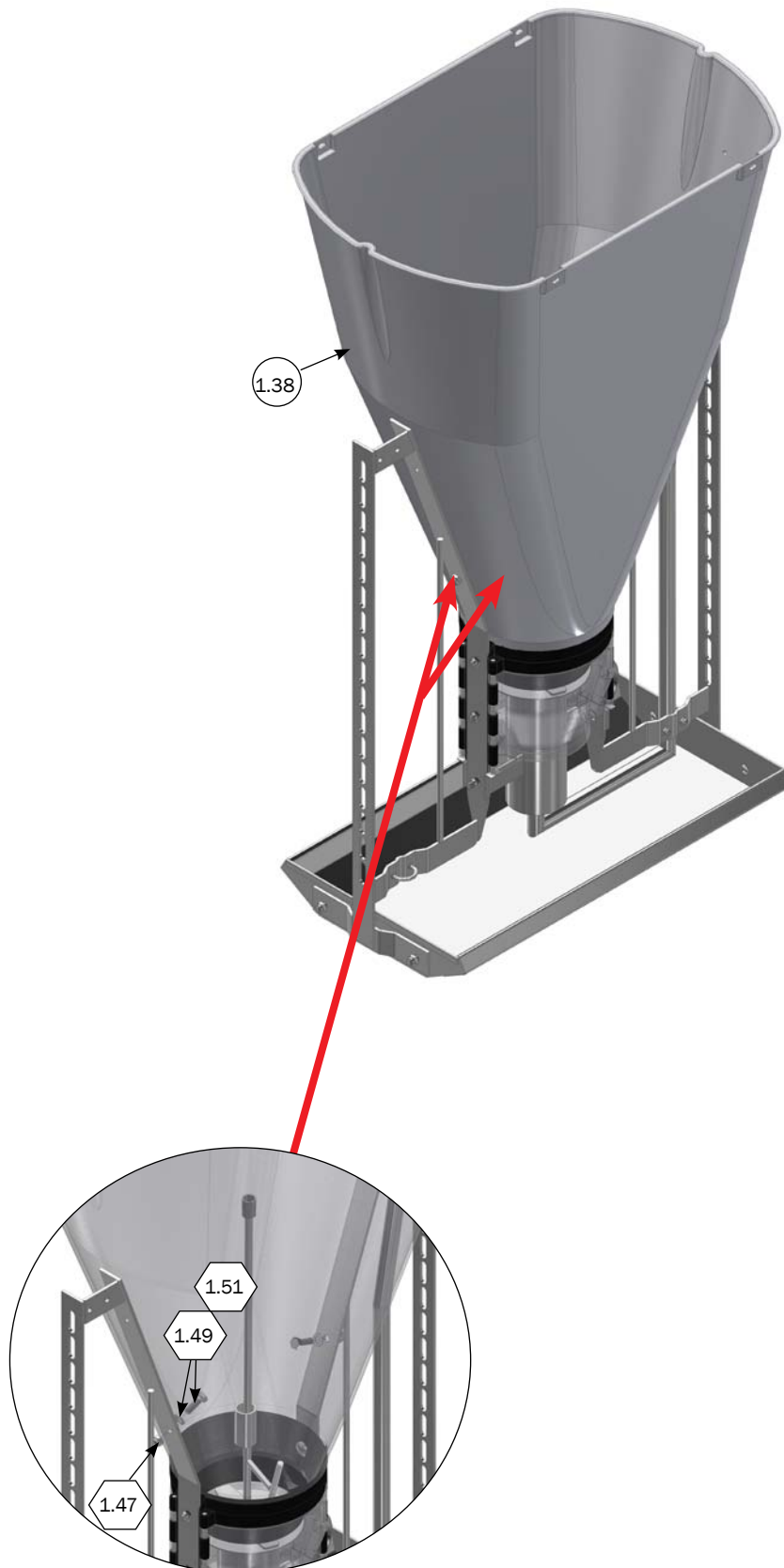


step 2



Mounting of TUBE-O-MAT hopper on frame

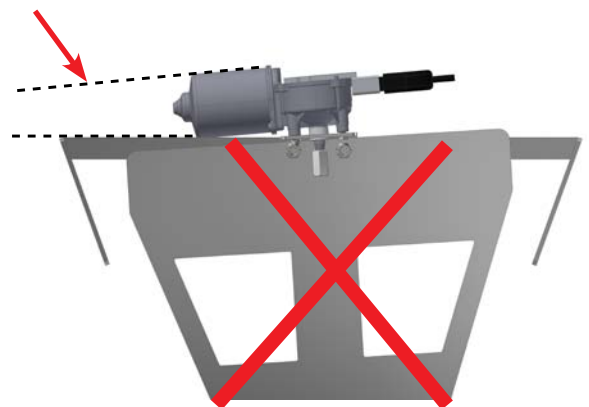
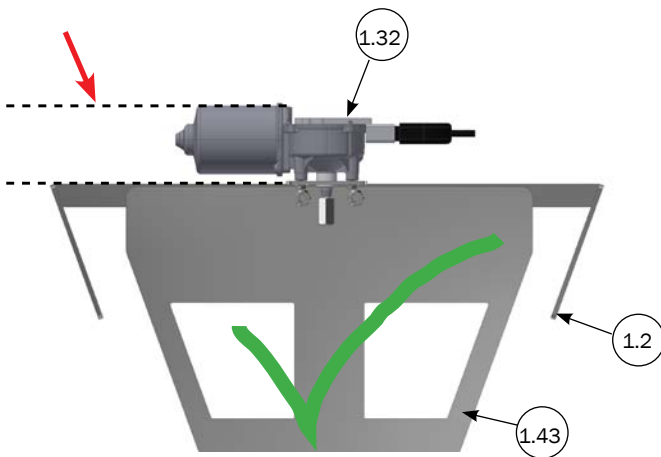
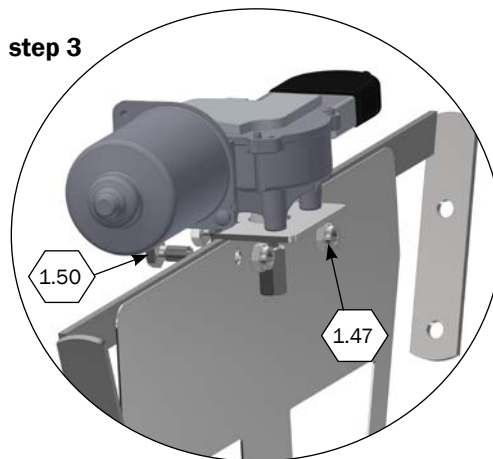
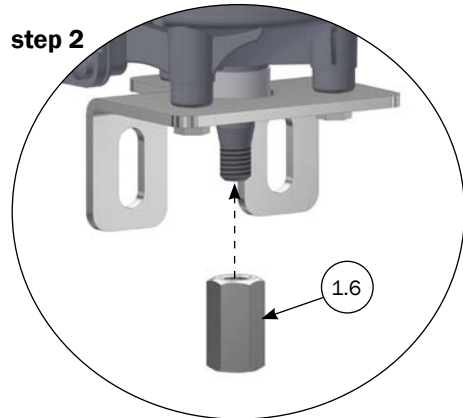
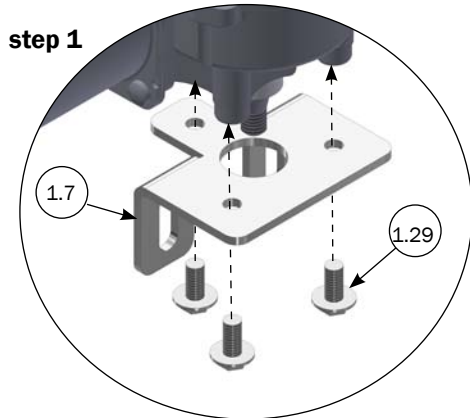
- For parts list, look at page 2
- ⬡ Bolt set



Mounting of motor on plate for prevention of blocking of feed

○ For parts list, look at page 2

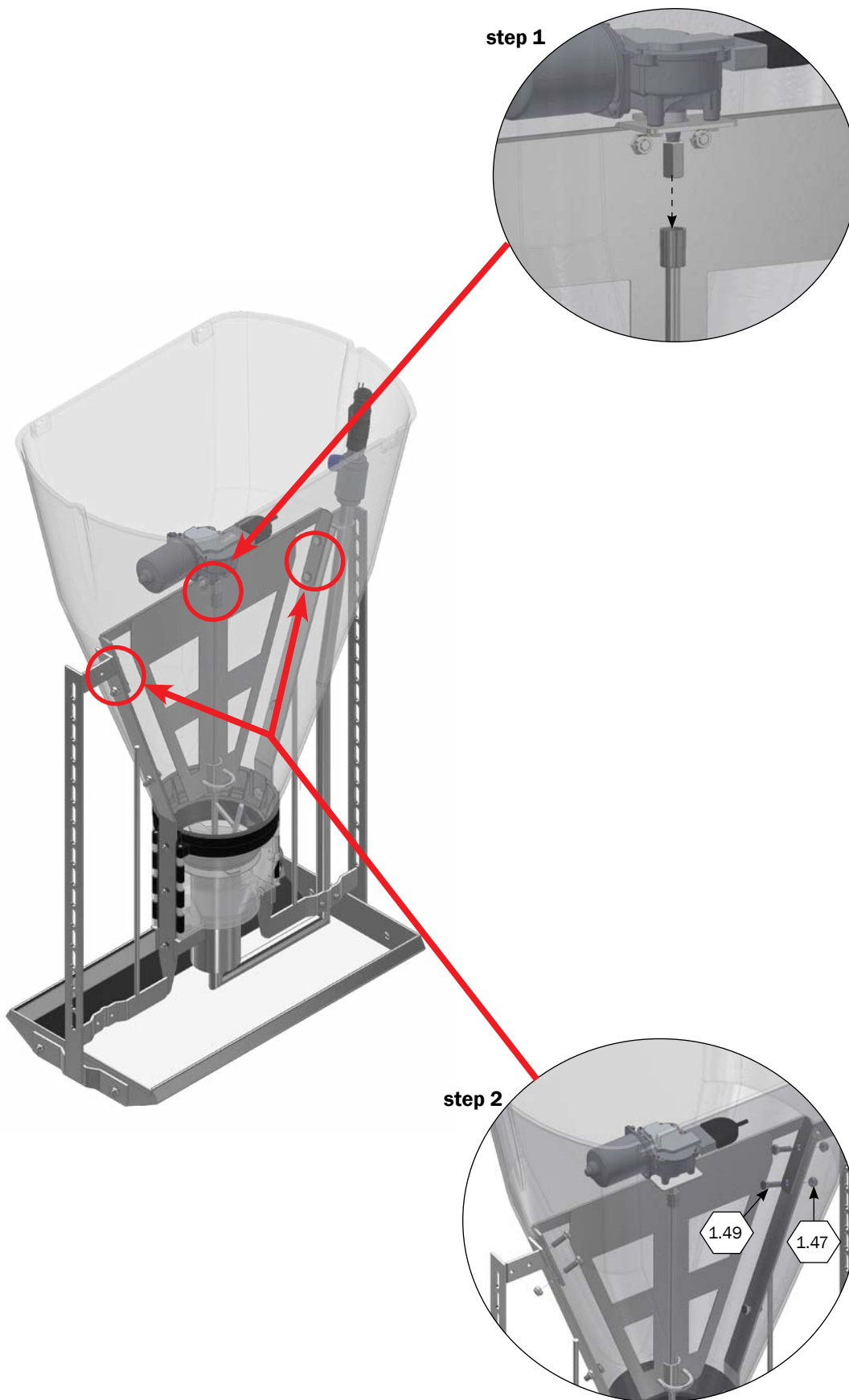
⬡ Bolt set



Mounting of motor and plate for prevention of blocking of feed inside tube-o-mat hopper

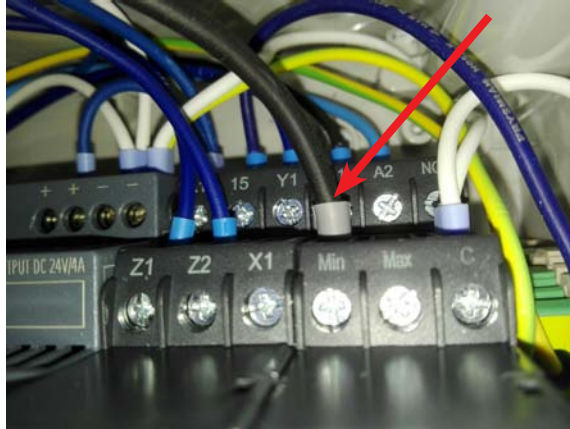
○ For parts list, look at page 2

⬡ Bolt set



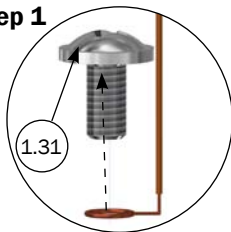
Preparing of sensor

○ For parts list, look at page 2

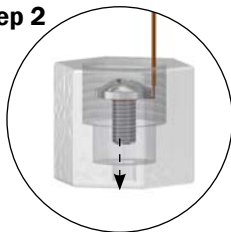


Start by loosen the cable in the control panel before preparing mounting sensor.

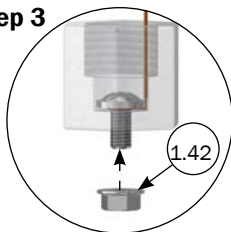
step 1



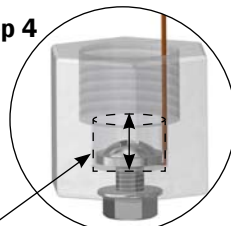
step 2



step 3

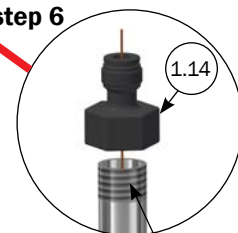


step 4



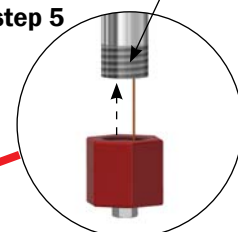
The lowest part of the nylon fitting must be filled up with silicon.
Important : must fit tightly.

step 6



Use thread tape or liquid sealings

step 5



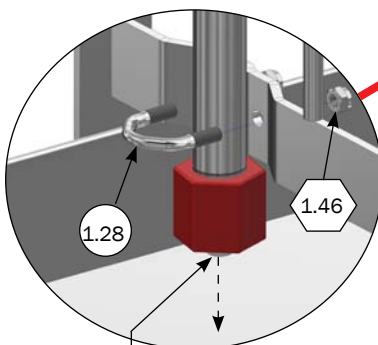
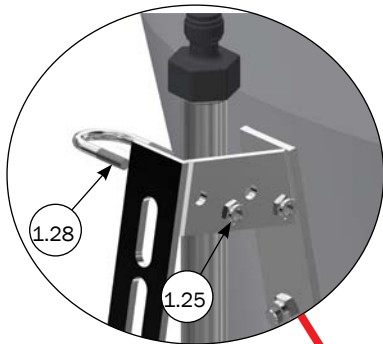
1.2

1.27

Mounting of sensor

○ For parts list, look at page 2

⬡ Bolt set

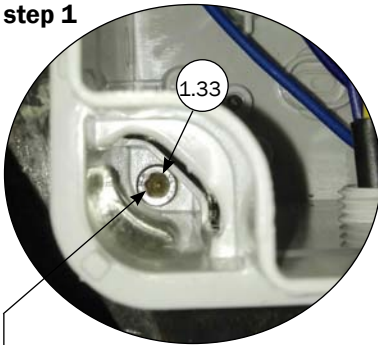


The distance between nut under the sensor and bottom of the trough is 15 mm.

Preparing and mounting of control panel on baby feeder

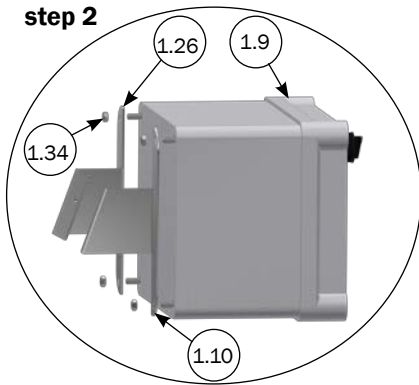
○ For parts list, look at page 2

step 1



The 4 screws are screwed through the plastic part, so that brackets can be mounted on the control panel.

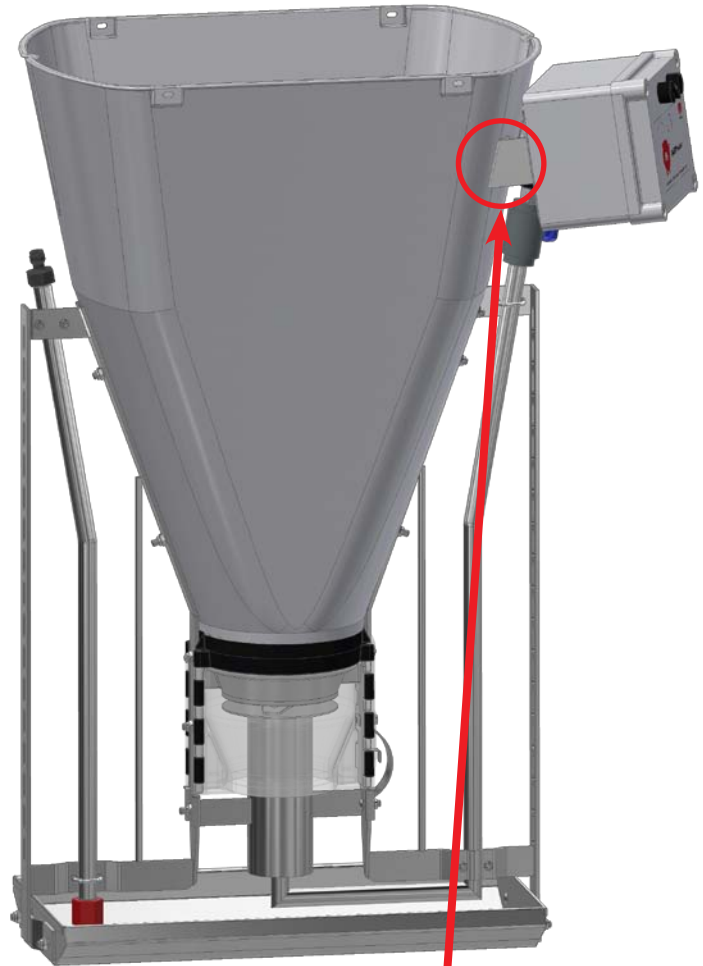
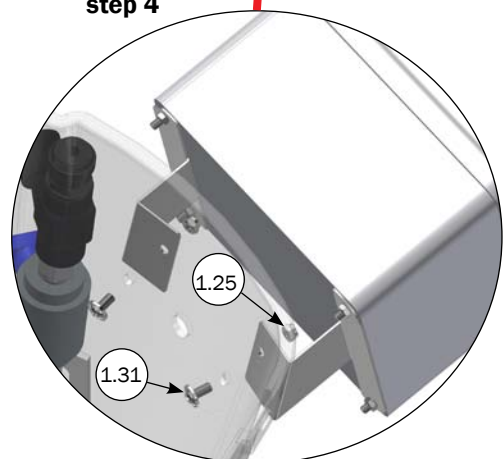
step 2



step 3



step 4

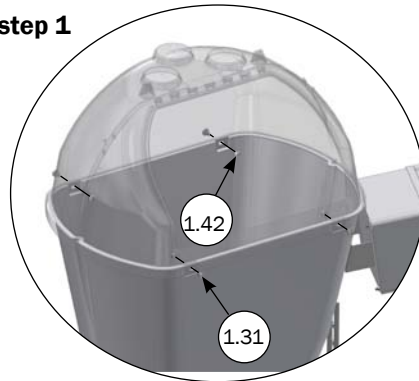


Mounting of lid and plastic hose

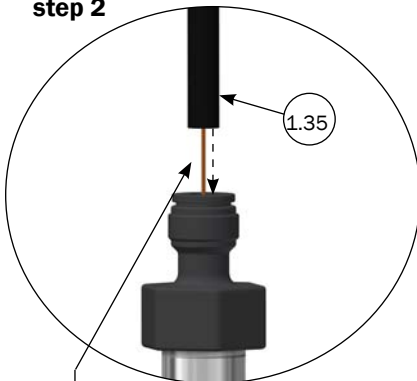
○ For parts list, look at page 2

It's recommended to test the connection to the control panel that it's correct before the lid is mounted.

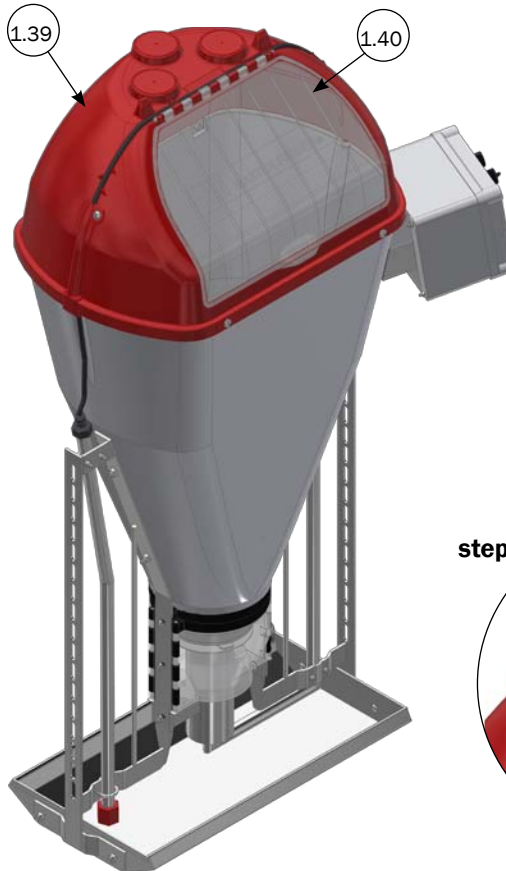
step 1



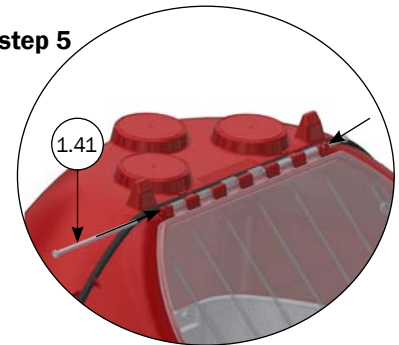
step 2



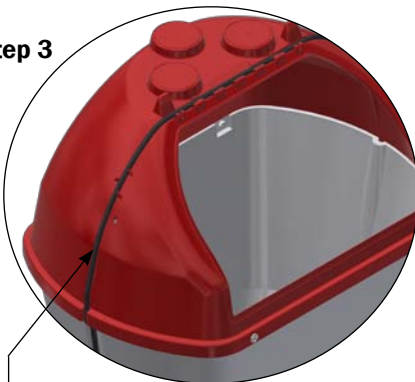
Cable from sensor is pulled through the plastic hose before mounting into the speed union.



step 5

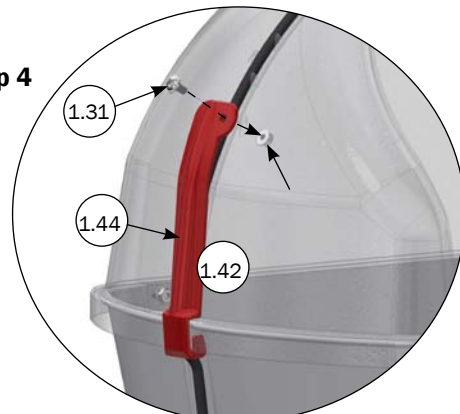


step 3



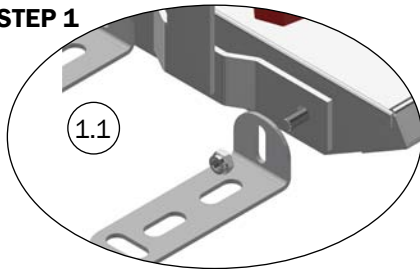
Pull the hose over the lid and click it in place into the lid so it sits tight over to the control panel.

step 4



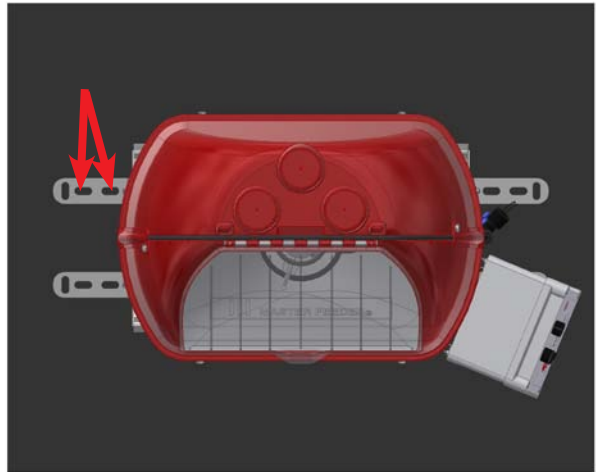
Mounting of baby feeder on plate

STEP 1



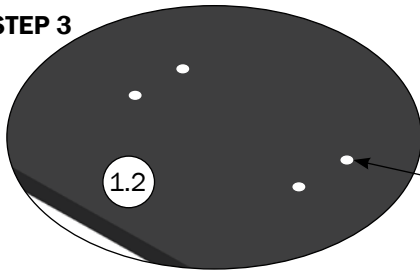
Pos.no. 1.1 is mounted on to the trough with existing bolts.

STEP 2



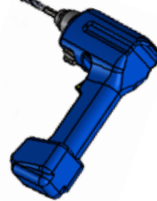
Place the Baby feeder in the middle of the plate and mark on the plate for drilling.

STEP 3

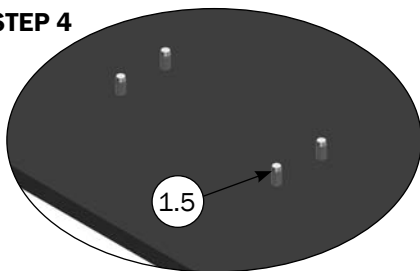


Drill through the plate.

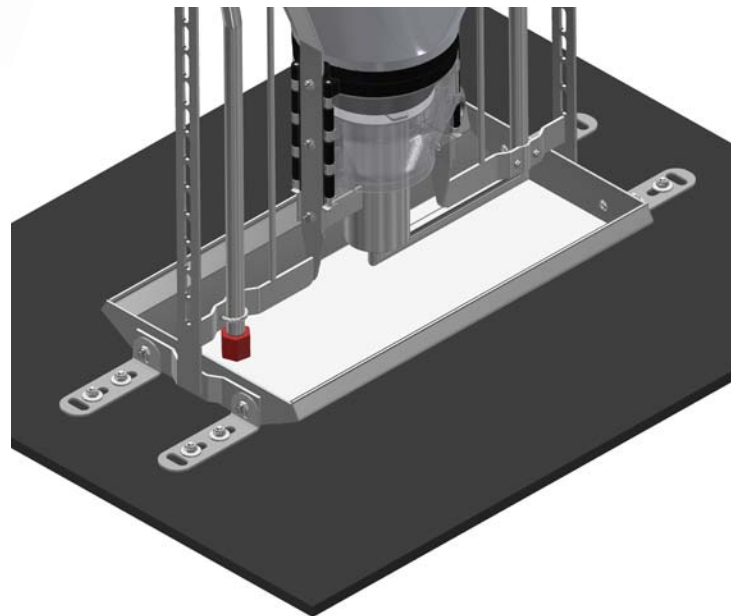
Ø 10mm



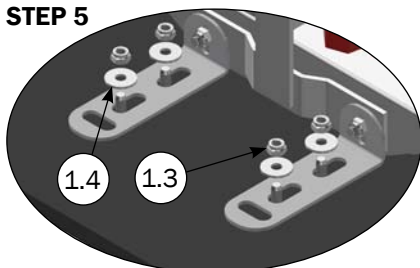
STEP 4



Pos.no 1.5 is pushed through the plate afterwards.



STEP 5

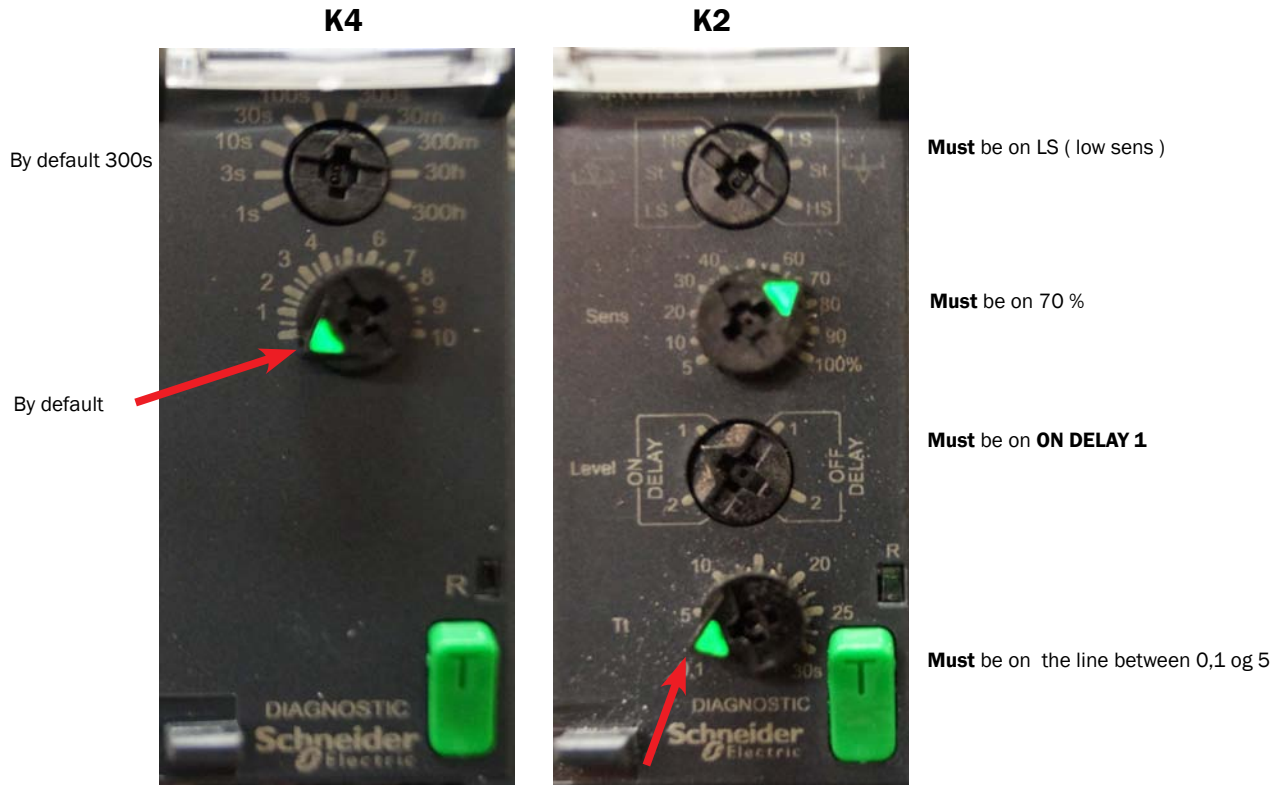


Mount the baby feederen on to the plate and tighten the lock nuts.

PARTS LIST

No.	PCS	ITEM No.	DESCRIPTION
1		0229-001	PLATE AND ACCESORIES FOR BABYFEEDER
1.1	4	4950955	FLOOR ANGLE 133X44X39 MM A2
1.2	1	89014	FLOOR PLATE FOR SINGLE TUBE-O-MAT 10X608X1200 MM
1.3	8	33908001	LOCK NUT M8 A2 DIN 985
1.4	8	35600058	NUT WASHER Ø8X8,4/24/2 A2 DIN9021
1.5	8	36308030	MUSHROOMHEADED BOLT M8X30 A2 DIN 603

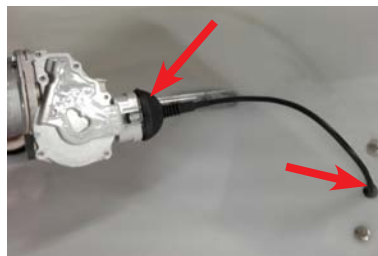
Default in control panel from ACO-funki



Connection of motor in control panel



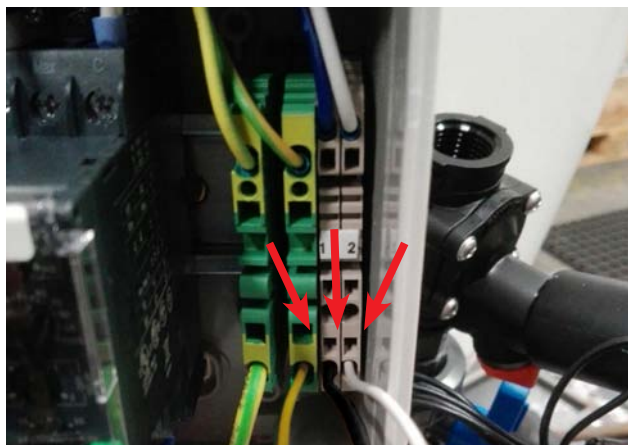
Strip 10 cm off the black cable, then strip off 2 cm off the 3 cables .
(red is not in use.)



Pull the cable up through the middle hole in the control panel for connection.



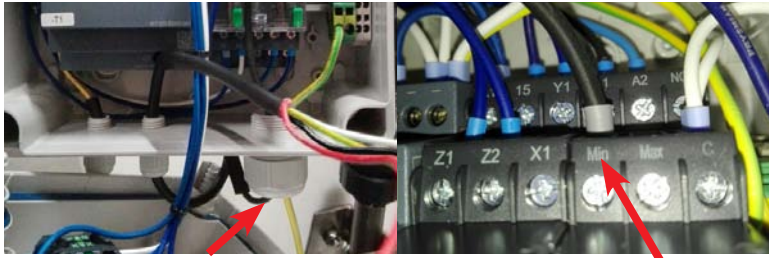
Plug in the plug in the motor inside the tube-o-mat and pull cable out through the hole.



The 3 cables is connected to the control panel as shown in the picture.
(red cable is not in use.)

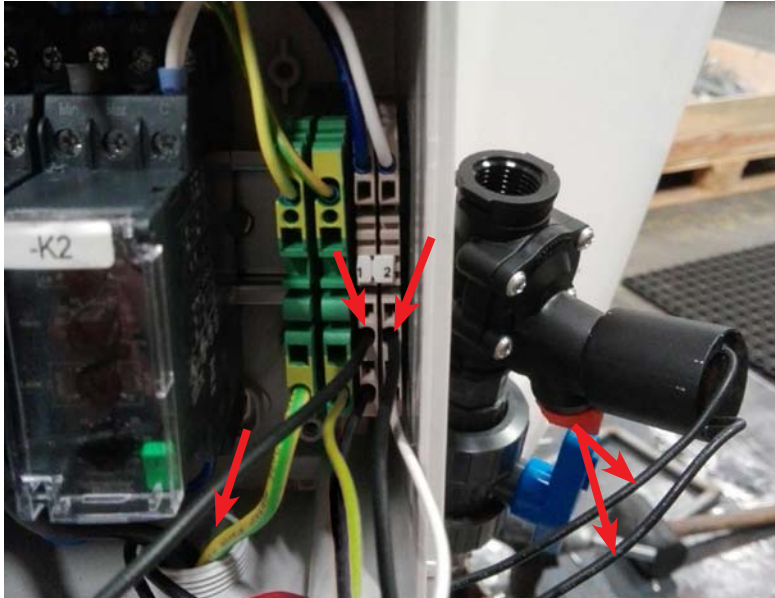
Connection of sensor, solenoid valve and set connection

step 1



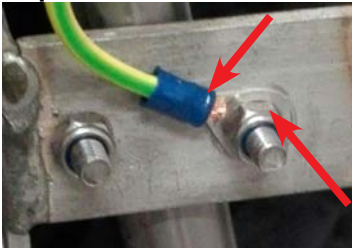
Pull the cable from the sensor up through the outermost hole and connect again up in **Min**, from where it was disconnected previously.

step 2



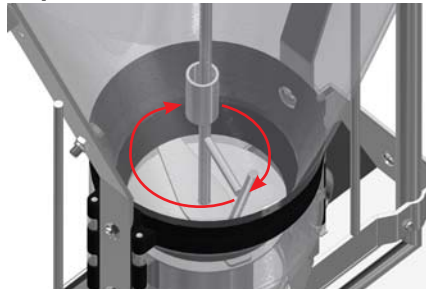
Connect then the solenoid valve by pulling the cables up through the outermost hole and connect as shown in the picture. (The order is irrelevant.)

step 3



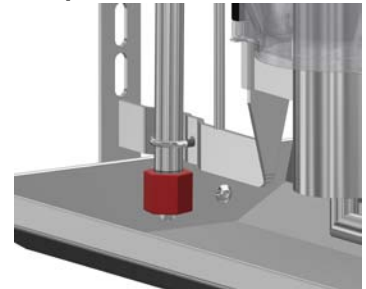
Loosen nut from the stainless bracket and place the set connection on the stainless bracket, screw the nut back on again. Now the set connection is connected to the baby feeder

step 4



After connection to the control panel the baby feeder **must** be tested for correct connection. The stir **must** turn right.

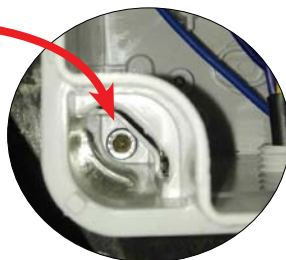
step 5



Set connection must be controlled : Touch with something electric leading so that it touches both nut and trough at the same time, which should make the stir stop, remove it again, now the stir should start again after about 15 sec.



The following plastic threaded bushings is clicked into the 4 holes so that the front cover can be screwed on.



Mount the front cover on the control panel, by screwing screws tight with a screw driver