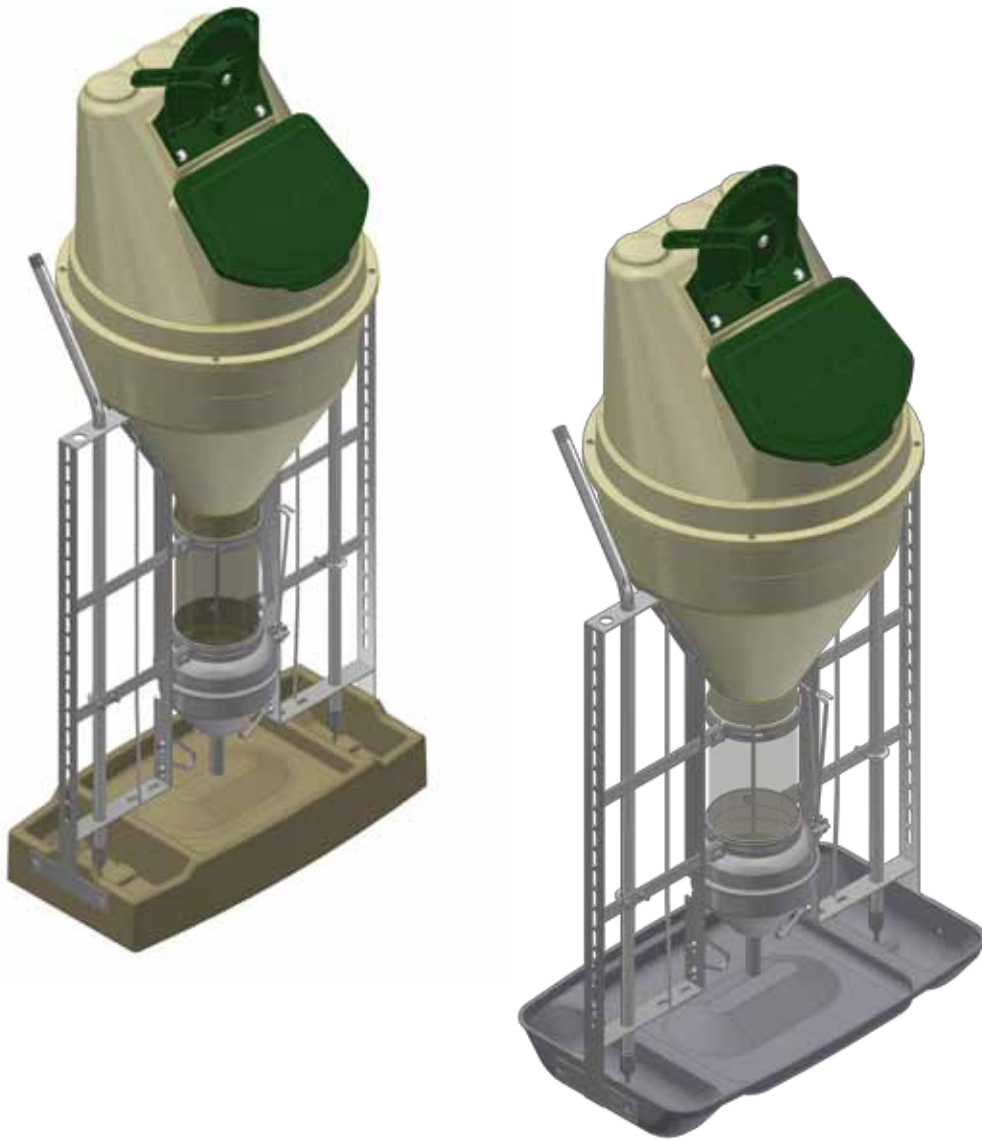


# MOUNTING INSTRUCTION



**FUNKIMAT**



**ACO FUNKI A/S**

Kirkevænget 5  
DK-7400 Herning

Tel. +45 9711 9600

Fax +45 9711 9677

[www.acofunki.com](http://www.acofunki.com)

**FUNKI**

**DANISH DESIGN | GERMAN QUALITY | GLOBAL EXPERIENCE**

## Parts list FUNKIMAT for weaners/finisher with polymer trough

PARTS LIST			
No	PCS	ITEM No	DESCRIPTION
		560561M	FUNKIMAT FINISHER WITH POLYMER TROUGH (FLAT-FLAT)
1		560560M	FUNKIMAT WEANER WITH POLYMER TROUGH (FLAT-FLAT)
		560561U	FUNKIMAT FINISHER WITH POLYMER TROUGH (FLAT-FLAT)
1		560560U	FUNKIMAT WEANER WITH POLYMER TROUGH (FLAT-FLAT)
1.1	2	0227-531	FRAME TYPE 1, ASSEMBLED
1.2	2	12100107	DRINKING VALVE 1/2" ST TYPE 13
1.3	1	18461	POLYMER TROUGH FOR FUNKIMAT, WEANER HEAT-TREAT
*1.31		18462	POLYMER TROUGH FOR FUNKIMAT, FINISHER HEAT-TREAT
1.4	1	0227-627	FEEDER, MOUNTING KIT NO. 8
	4		SET SCREW M8X16 A2 DIN 933
1.5	1	0227-440	DOSAGE DEVICE FOR FUNKIMAT, ASSEMBLED
1.6	2	0227-137	CLAMP FOR Ø140 MM FEED PIPE, FUNKIMAT
1.7	1	0227-599	LOCK BRACKET FOR PROTECTION OF FUNKIMAT
1.8	1	0227-623	FEEDER, MOUNTING KIT NO. 4
	4		SET SCREW M8X25 A2 DIN 933
	4		NUT M8 A2 DIN 934
1.9	1	0227-546	BOTTOM HOPPER FUNKIMAT VER. 3
1.10	1	0227-622	FEEDER, MOUNTING KIT NO. 3
	4		MUSHROOMHEADED BOLT M8X16 A2 DIN 603
	4		NUT M8 A2 DIN 934
	2		CLAMPING PLATE
	2		CABLE TIE 5MM
1.11	1	0227-523	ADJUSTMENT ROD, TYPE 1
1.12	1	0227-370	RETAINER SPRING FOR DOSAGE DEVICE, STAINLESS STEEL FUNKIMAT VER. 2
1.13	1	0227-620	FEEDER, MOUNTING KIT NO. 1
	2		BLOCKING FIXTURE TYPE 1
	2		LOCK NUT M8 A2 DIN 985
	2		NUT M8 A2 DIN 934
1.14	1	0227-628	FEEDER, MOUNTING KIT NO. 9
	1		SCALE PLATE
	1		ADJUSTMENT HANDLE
	1		PIN F/HANDLE. FUNKIMAT VER.3
	1		CONNECTION LINK
	1		MUSHROOMHEADED BOLT M8X45 A2 DIN 603
	5		FLAT WASHER Ø8X8,4/16/1,6 A2 DIN 125 A
	1		LOCK NUT M8 A2 DIN 985
	4		MUSHROOMHEADED BOLT M8X16 A2 DIN 603
	5		NUT M8 A2 DIN 934
	1		SPLIT PIN 2.5X30 A2 DIN 94
1.15	1	0227-545	TOP HOPPER, FUNKIMAT VER. 3
1.16	1	0227-629	FEEDER, MOUNTING KIT NO. 10
	4		COLLAR HEAD NUT M6 A2 DIN 6923
	4		SET SCREW WITH COLLAR M6X12 A2
1.17	1	0227-506	LID FOR HOPPER, FUNKIMAT

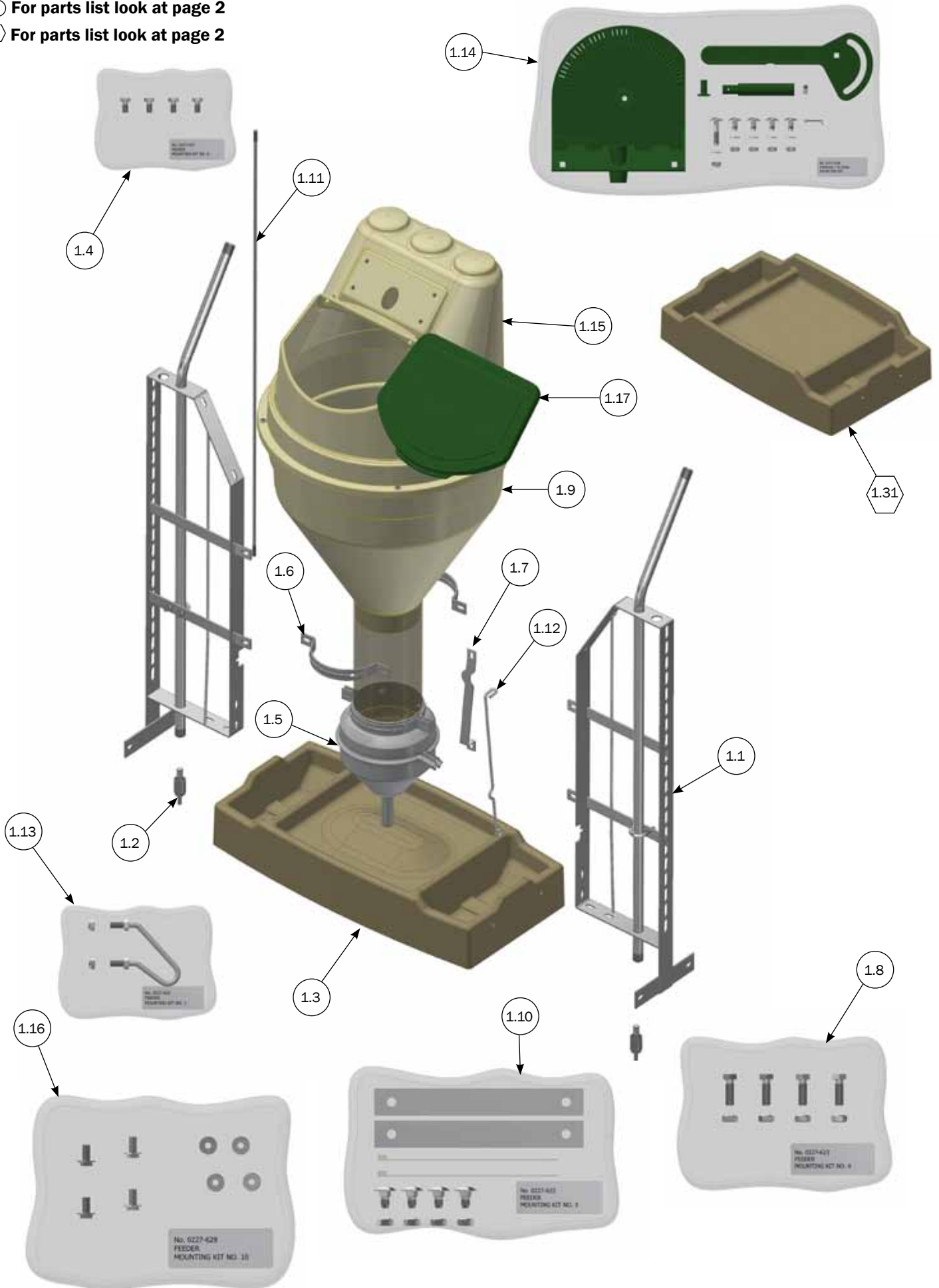
\* Polymer trough for finisher

M-1015\_GB

## Parts list

○ For parts list look at page 2

⬡ For parts list look at page 2



## Parts list FUNKIMAT for weaners/finisher with stainless steel trough

PARTS LIST			
No	PCS	ITEM No	DESCRIPTION
		560711M	FUNKIMAT FINISHER WITH STAINLESS STEEL TROUGH (FLAT-FLAT)
		560710M	FUNKIMAT WEANER WITH STAINLESS STEEL TROUGH (FLAT-FLAT)
		560711U	FUNKIMAT FINISHER WITH STAINLESS STEEL TROUGH (FLAT-FLAT)
1		560710U	FUNKIMAT WEANER WITH STAINLESS STEEL TROUGH (FLAT-FLAT)
1.1	2	0227-531	FRAME TYPE 1, ASSEMBLED
1.2	2	12100107	DRINKING VALVE 1/2" ST TYPE 13
1.3	1	0227-700	ST TROUGH WEANER F/FUNKIMAT
*1.31		0227-701	ST TROUGH FINISHER F/FUNKIMAT
1.4	1	0227-626	FEEDER, MOUNTING KIT NO. 7
	4		SET SCREW M8X16 A2 DIN 933
	4		NUT M8 A2 DIN 934
1.5	1	0227-440	DOSAGE DEVICE FOR FUNKIMAT, ASSEMBLED
1.6	2	0227-137	CLAMP FOR Ø140 MM FEED PIPE, FUNKIMAT
1.7	1	0227-599	LOCK BRACKET FOR PROTECTION OF FUNKIMAT
1.8	1	0227-623	FEEDER, MOUNTING KIT NO. 4
	4		SET SCREW M8X25 A2 DIN 933
	4		NUT M8 A2 DIN 934
1.9	1	0227-546	BOTTOM HOPPER FUNKIMAT VER. 3
1.10	1	0227-622	FEEDER, MOUNTING KIT NO. 3
	4		MUSHROOMHEADED BOLT M8X16 A2 DIN 603
	4		NUT M8 A2 DIN 934
	2		CLAMPING PLATE
	2		CABLE TIE 5MM
1.11	1	0227-523	ADJUSTMENT ROD, TYPE 1
1.12	1	0227-370	RETAINER SPRING FOR DOSAGE DEVICE, STAINLESS STEEL FUNKIMAT VER. 2
1.13	1	0227-620	FEEDER, MOUNTING KIT NO. 1
	2		BLOCKING FIXTURE TYPE 1
	2		LOCK NUT M8 A2 DIN 985
	2		NUT M8 A2 DIN 934
1.14	1	0227-628	FEEDER, MOUNTING KIT NO. 9
	1		SCALE PLATE
	1		ADJUSTMENT HANDLE
	1		PIN F/HANDLE. FUNKIMAT VER.3
	1		CONNECTION LINK
	1		MUSHROOMHEADED BOLT M8X45 A2 DIN 603
	5		FLAT WASHER Ø8X8,4/16/1,6 A2 DIN 125 A
	1		LOCK NUT M8 A2 DIN 985
	4		MUSHROOMHEADED BOLT M8X16 A2 DIN 603
	5		NUT M8 A2 DIN 934
	1		SPLIT PIN 2.5X30 A2 DIN 94
1.15	1	0227-545	TOP HOPPER, FUNKIMAT VER. 3
1.16	1	0227-629	FEEDER, MOUNTING KIT NO. 10
	4		COLLAR HEAD NUT M6 A2 DIN 6923
	4		SET SCREW WITH COLLAR M6X12 A2
1.17	1	0227-506	LID FOR HOPPER, FUNKIMAT

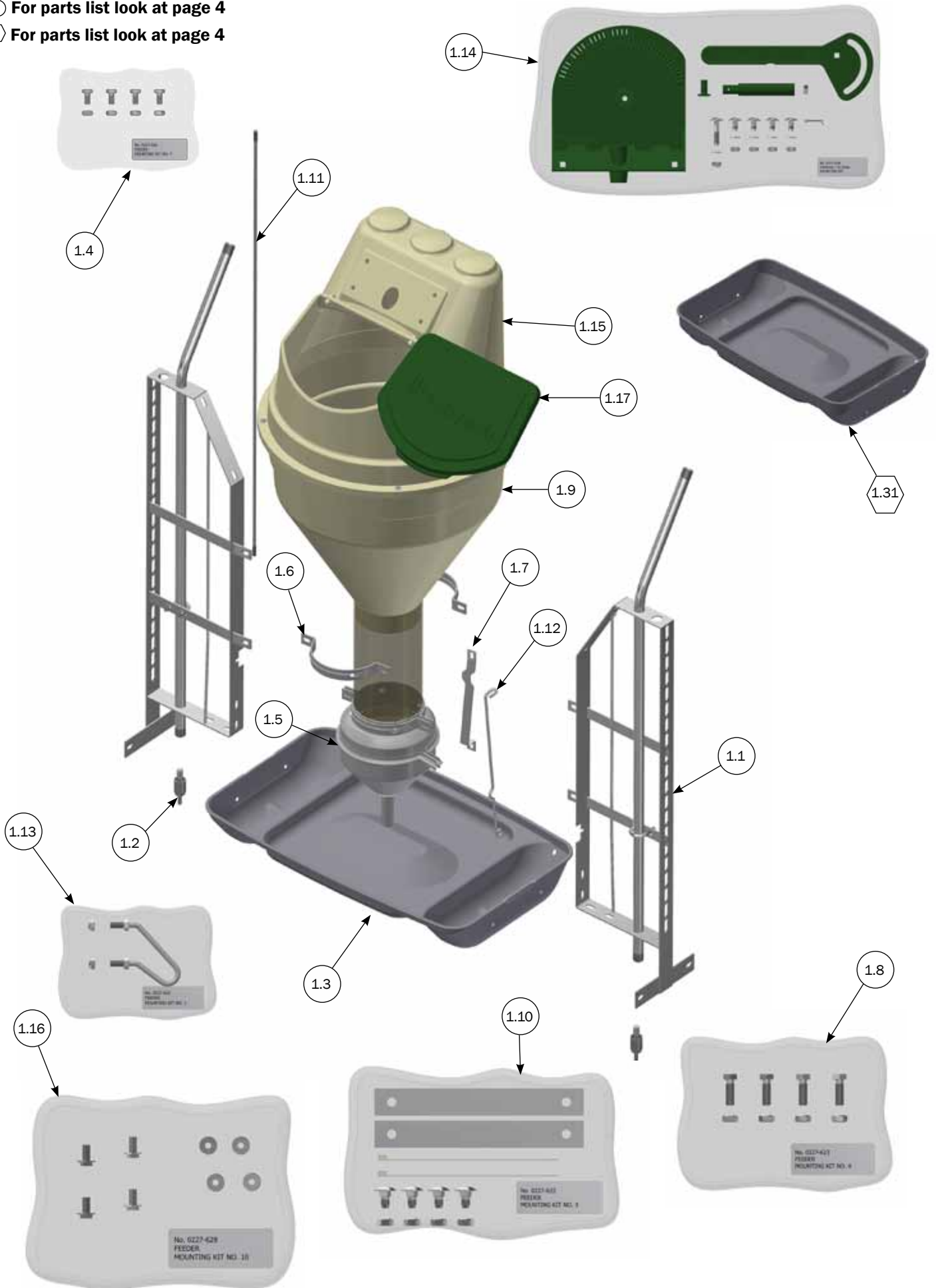
\* Stainless steel trough for finisher

M-1015\_GB

## Parts list

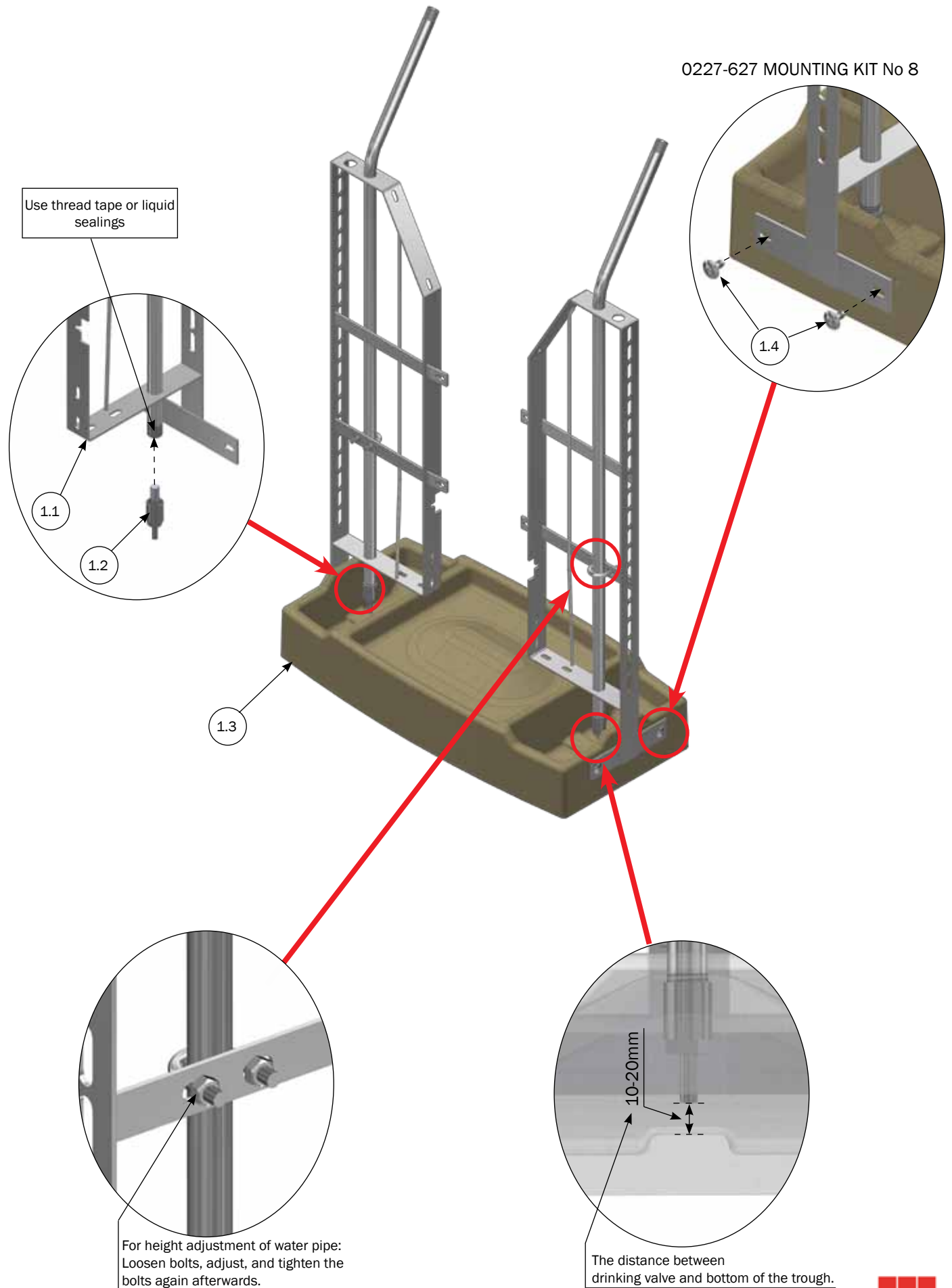
○ For parts list look at page 4

⬡ For parts list look at page 4



# Mounting of trough and drinking valve for weaners

○ For parts list look at page 2



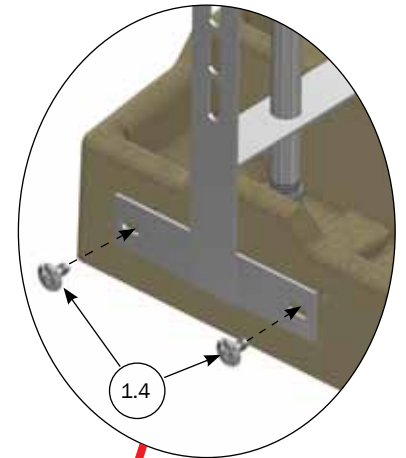
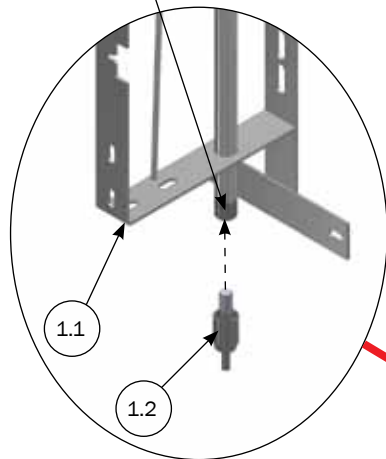
## Mounting of trough and drinking valve for finisher

○ For parts list look at page 2

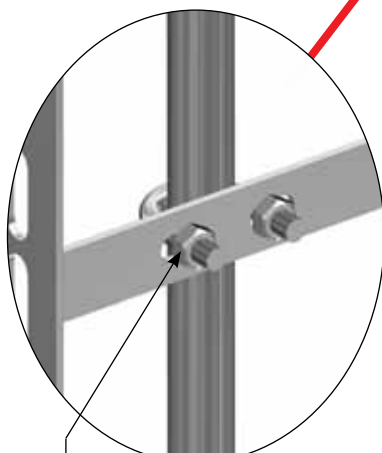
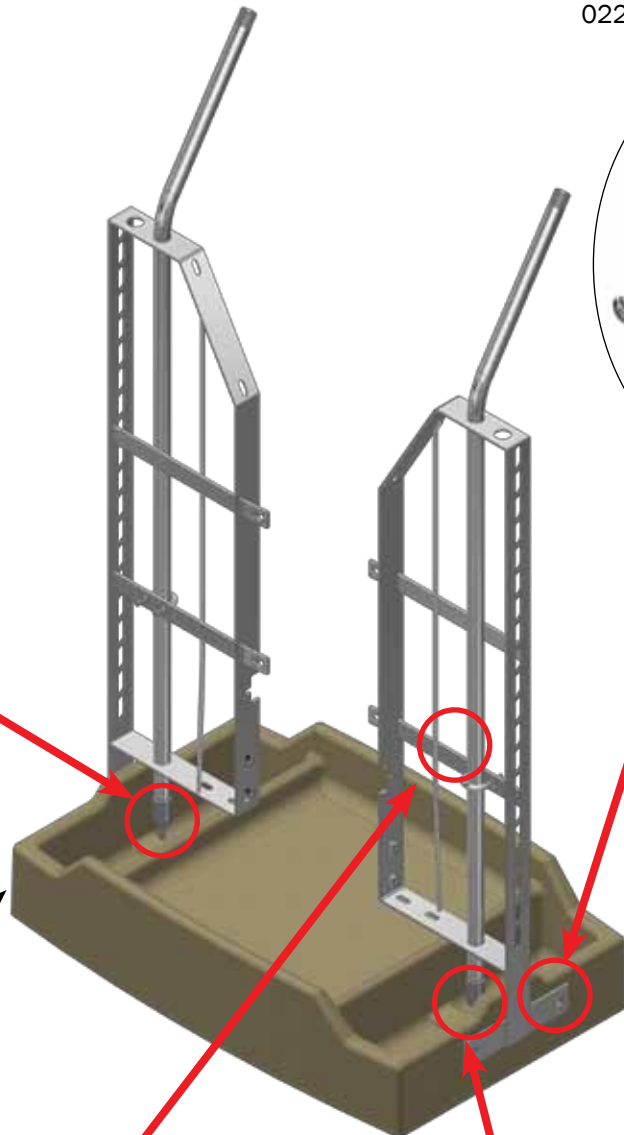
⬡ For parts list look at page 2

0227-627 MOUNTING KIT No 8

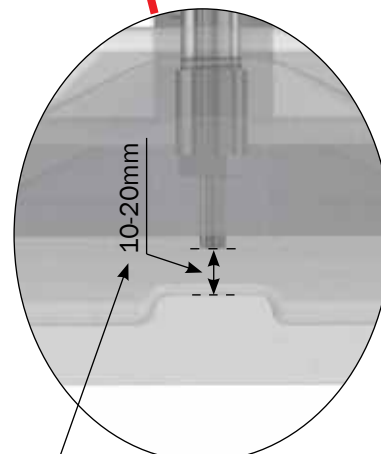
Use thread tape or liquid sealings



⬡ 1.31



For height adjustment of water pipe:  
Loosen bolts, adjust, and tighten the bolts again afterwards.



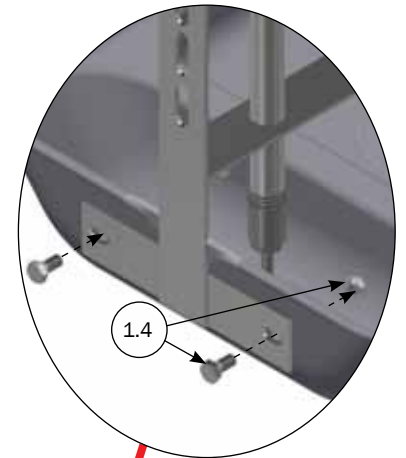
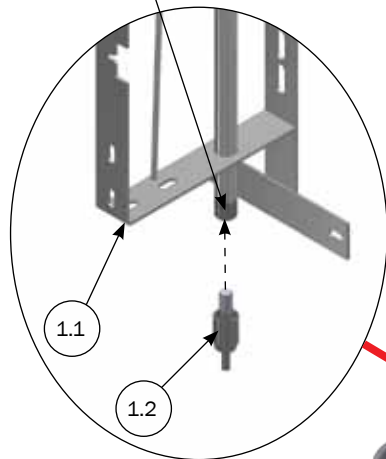
The distance between drinking valve and bottom of the trough.

# Mounting of stainless steel trough and drinking valve for weaners

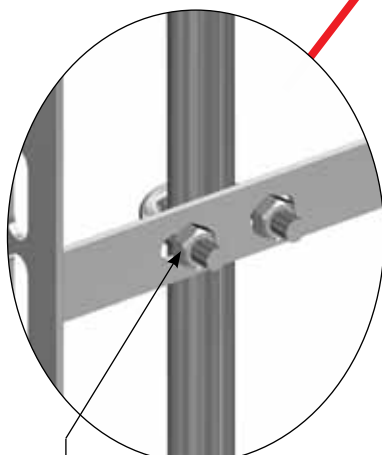
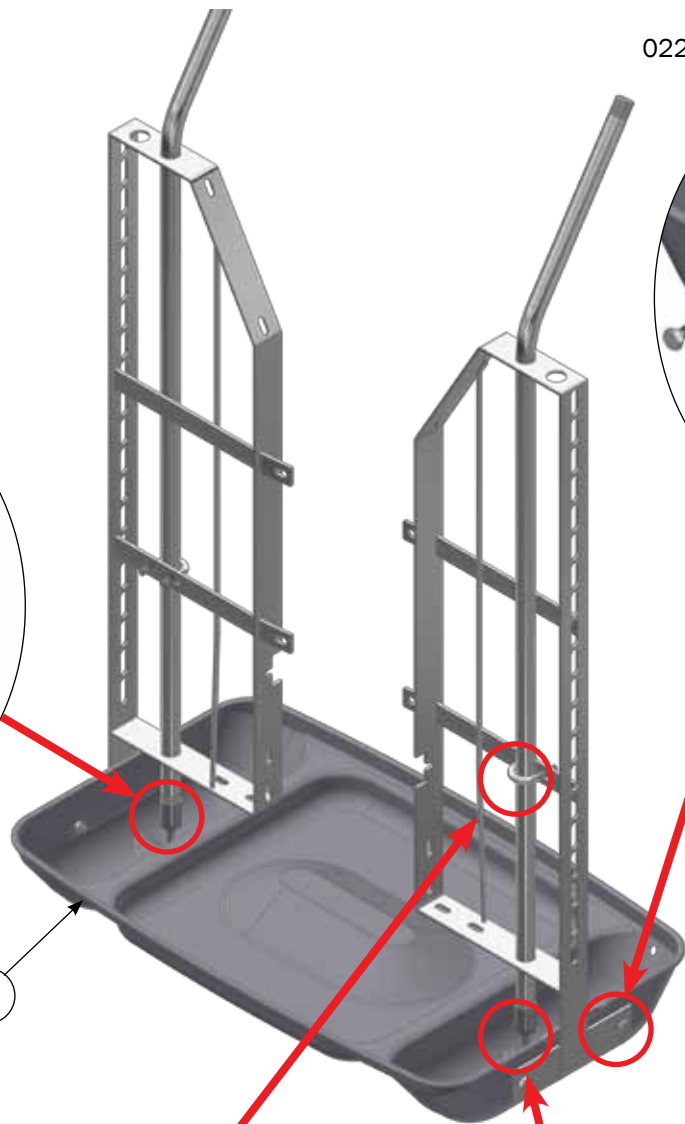
○ For parts list look at page 4

0227-626 MOUNTING KIT No 7

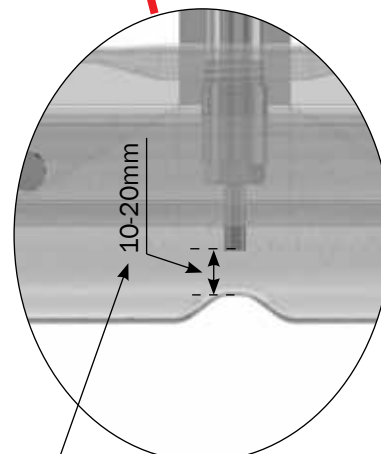
Use thread tape or liquid sealings



1.3



For height adjustment of water pipe:  
Loosen bolts, adjust, and tighten the bolts again afterwards.



The distance between drinking valve and bottom of the trough.



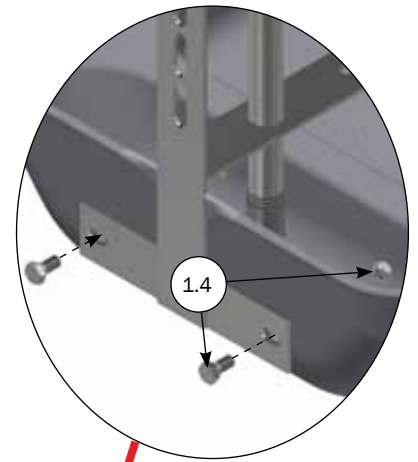
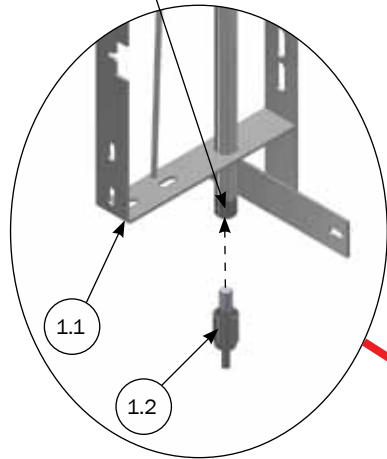
## Mounting of stainless steel trough and drinking valve for finisher

○ For parts list look at page 4

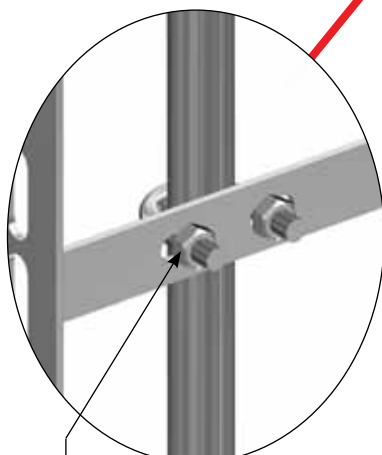
⬡ For parts list look at page 4

0227-626 MOUNTING KIT No 7

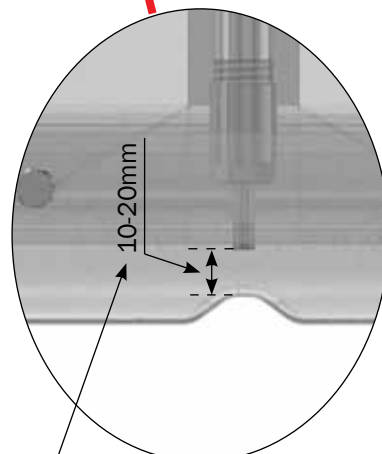
Use thread tape or liquid sealings



⬡ 1.31



For height adjustment of water pipe:  
Loosen bolts, adjust, and tighten  
the bolts again afterwards.

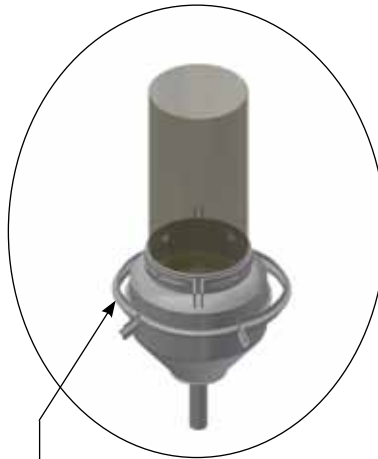


The distance between  
drinking valve and bottom of the trough.

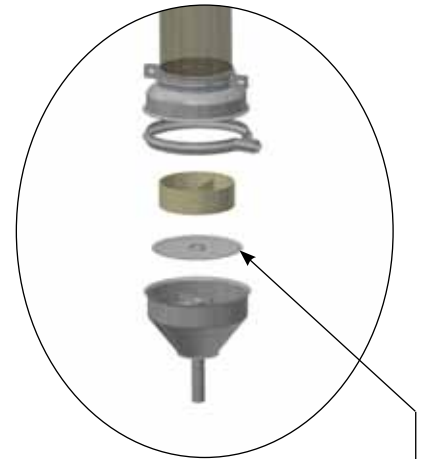
## Change or replacement of dosage disc



**Item no 0227-440**  
DOSAGE DEVICE FOR  
FUNKIMAT, ASSEMBLED



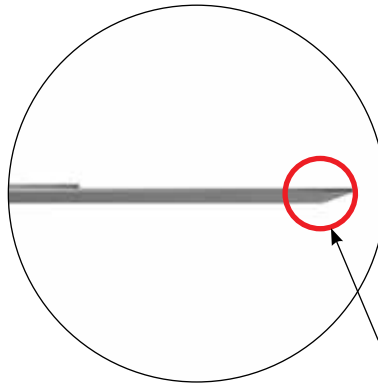
To change or replace the dosage disc:  
Loosen the clamps on the dosage device.



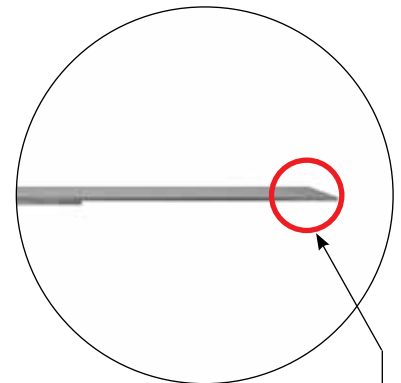
Then pull the bottom from the top hopper  
in order to get to the dosage disc



**Item no. 0227-088** dosage disc ver. 3,  
is standard in the dosage device from the start.



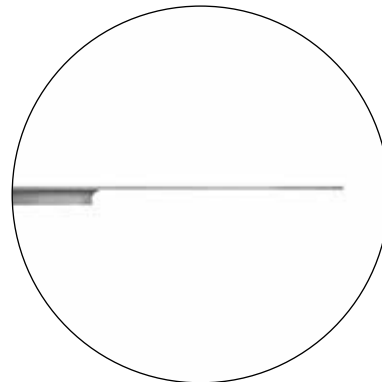
Dosage disc **item no. 0227-088**  
Has to turn up when Pellet feed is used.



Dosage disc **item no. 0227-088**  
Has to turn down when Meal feed is used.



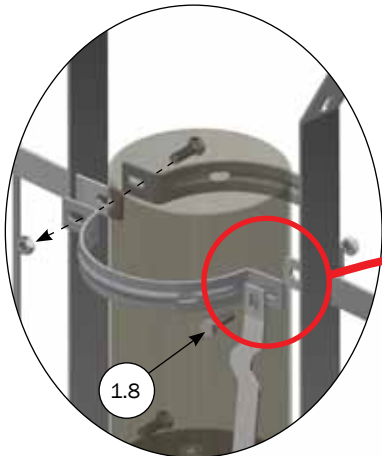
For more feed in the trough can **item no.**  
**0227-309 dosage disc ver. 4 small** be ordered.



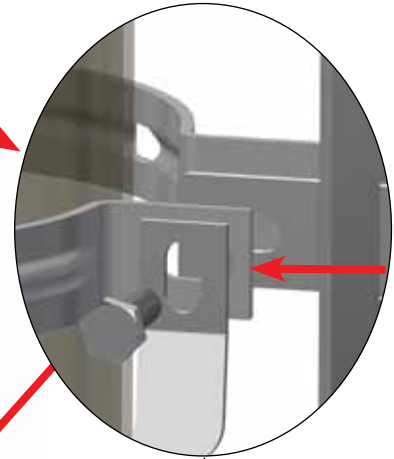
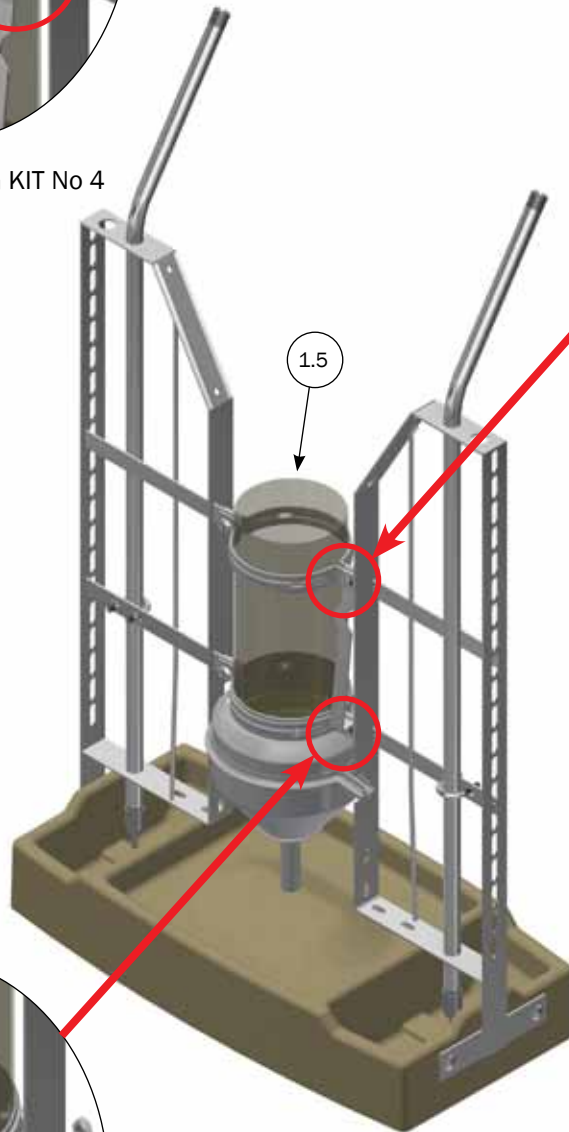
**Item no 0227-309 dosage disc ver. 4 small**  
It has no influence how the disc is turning for feed.

## Mounting of dosage device and lock bracket

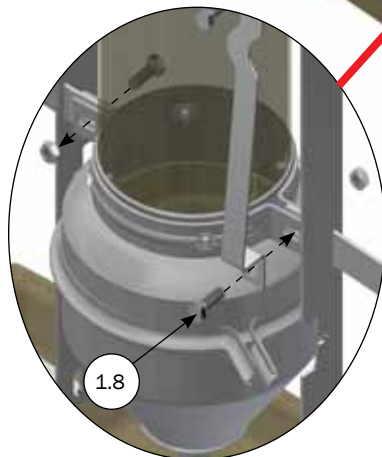
○ For parts list look at page 2 or 4



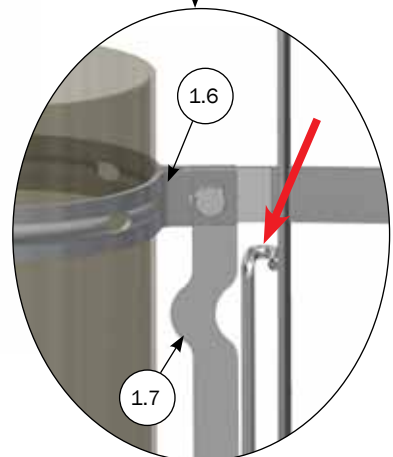
0227-623 MOUNTING KIT No 4



Push the **Lock Bracket** and the **Clamps** as far to the side as possible so that the **Retainer Spring** is able to pass the lock bracket.

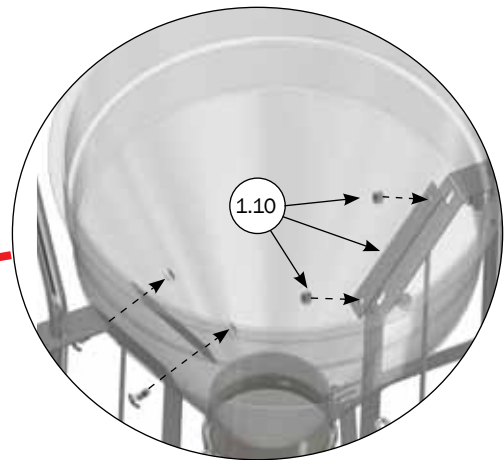
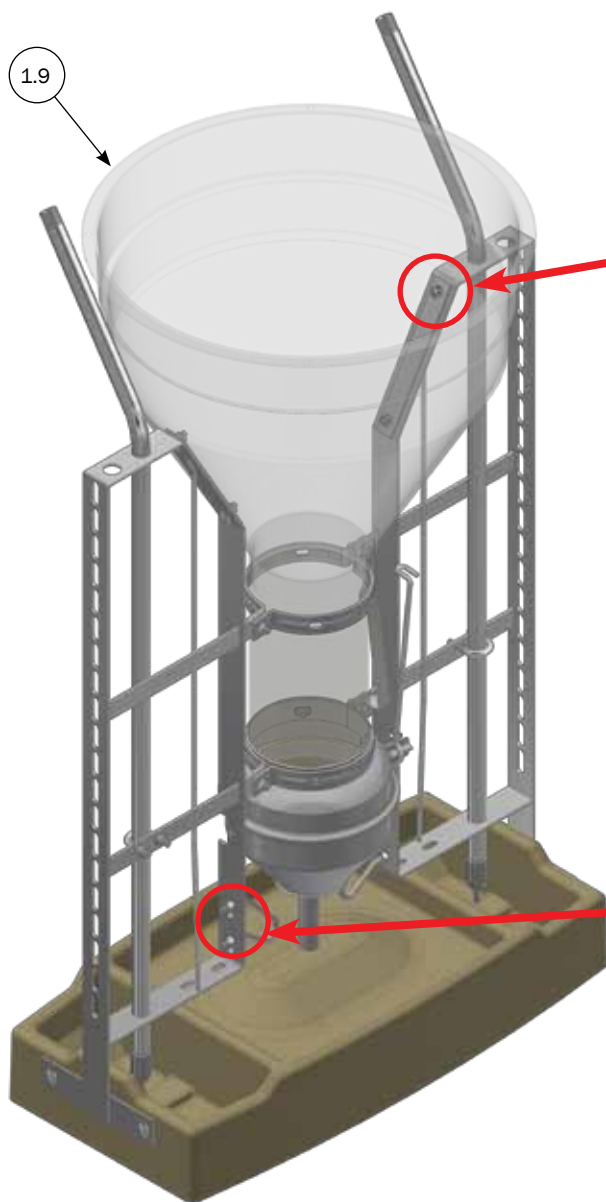


0227-623 MOUNTING KIT No 4

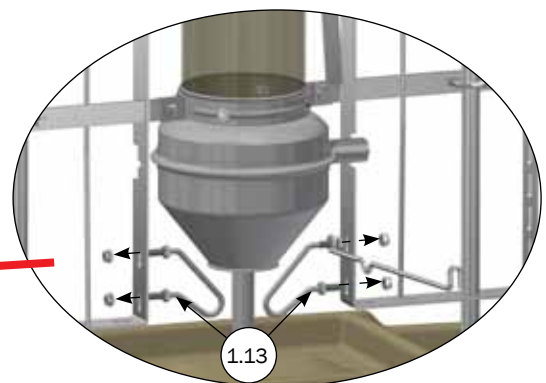


## Mounting of bottom hopper, blocking fixture, retainer spring and adjustment rod

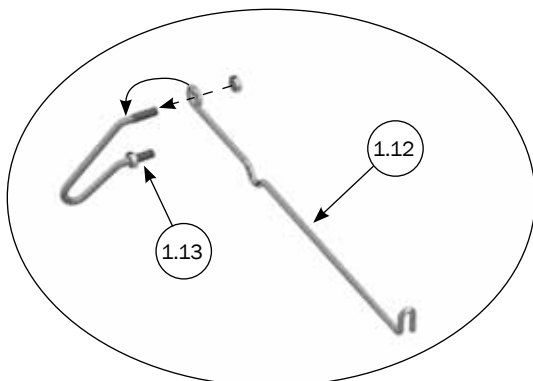
○ For parts list look at page 2 or 4



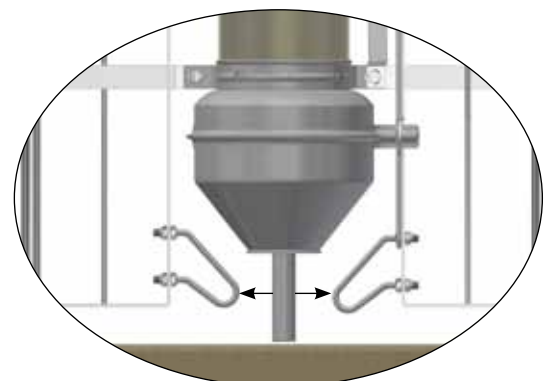
0227-622 MOUNTING KIT No 3



0227-620 MOUNTING KIT No 1



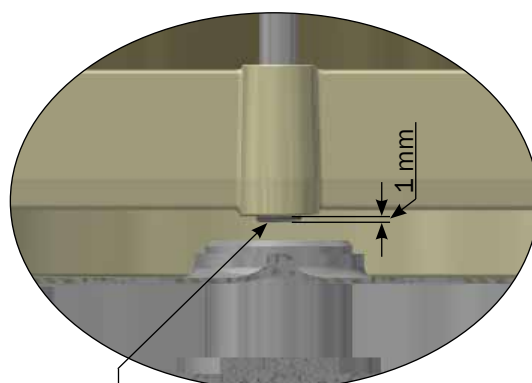
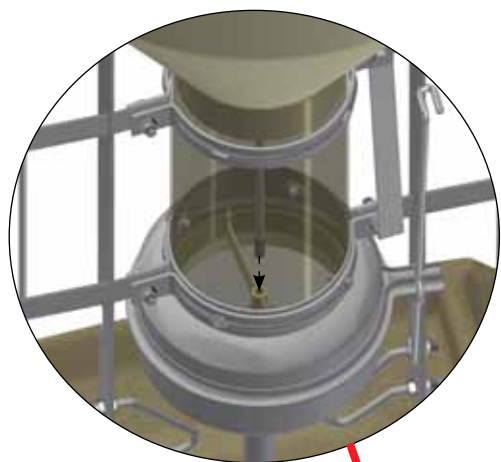
**Retainer spring for dosage device** is mounted on the blocking fixture, before mounting the blocking fixture on inv. modul.



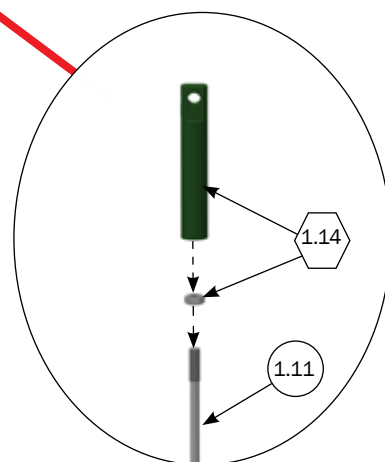
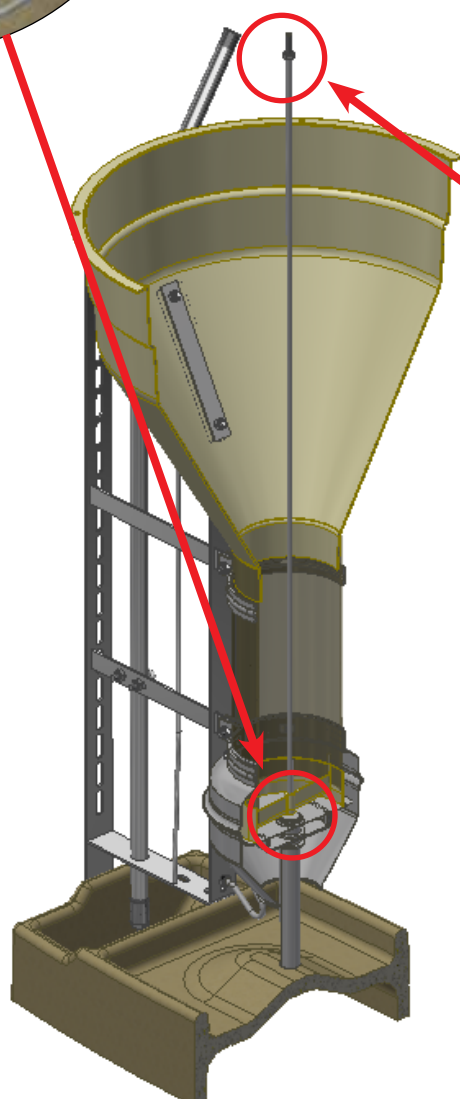
Blocking fixture is mounted with the same distance into the pendulum from both sides

## Mounting of adjustment rod in the dosage device

○ For parts list look at page 2 or 4



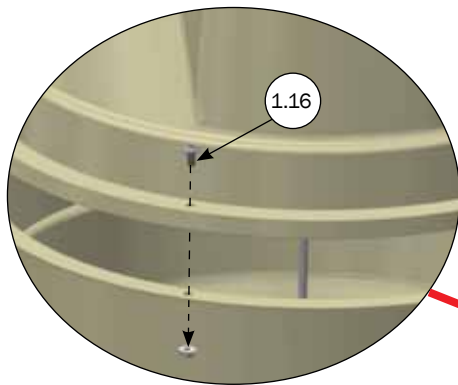
The adjustment rod is screwed all through like the picture shows.



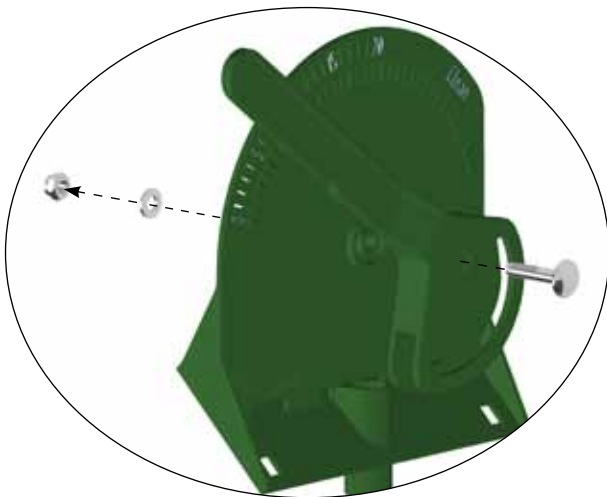
The nut and the connection link from **mounting kit no. 9** is screwed on to the adjustment rod.

## Mounting of top hopper and adjustment handle on scale plate

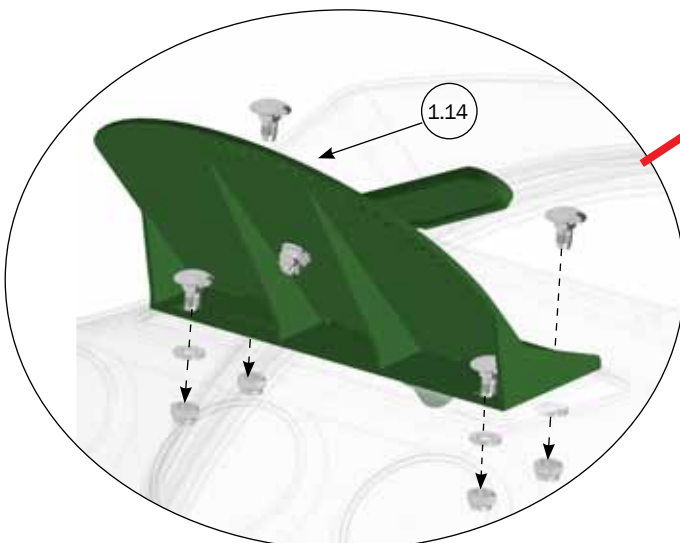
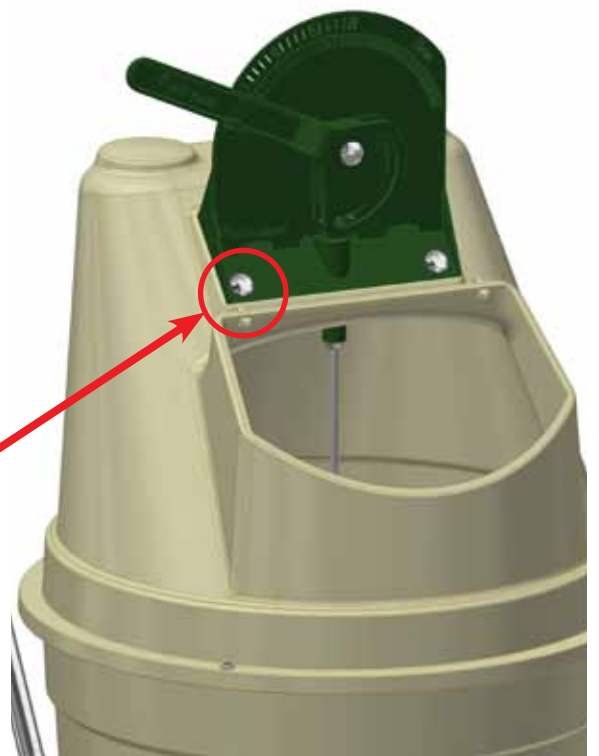
○ For parts list look at page 2 or 4



0227-629 MOUNTING KIT No 10



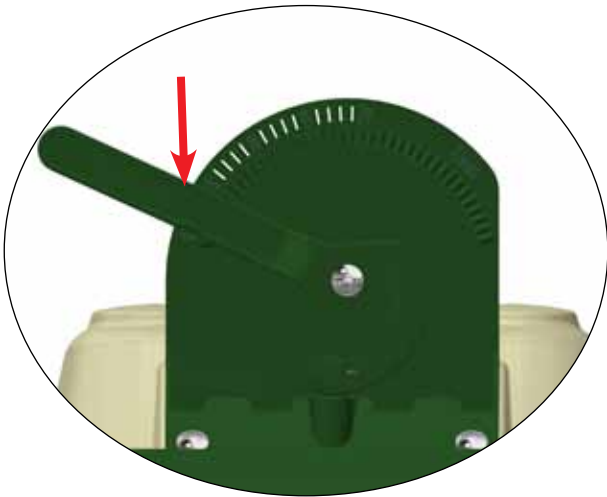
0227-628 MOUNTING KIT No 9



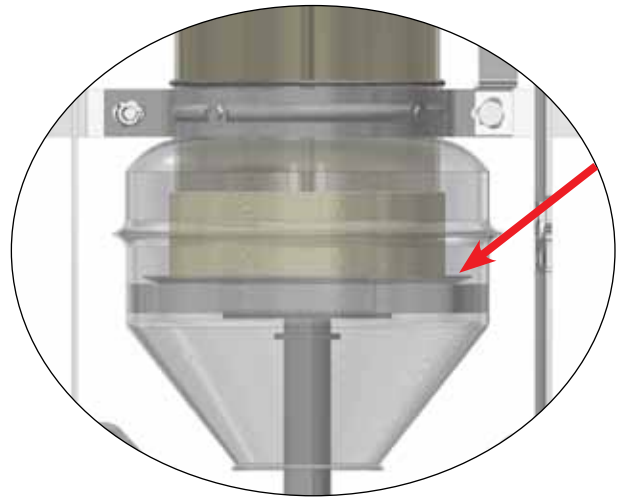
0227-628 MOUNTING KIT N 9

## Mounting and adjustment of scale plate

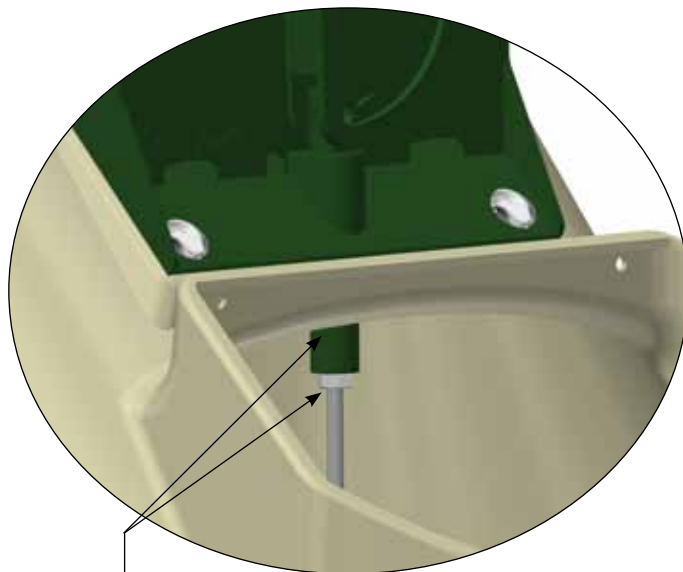
○ For parts list look at page 2 or 4



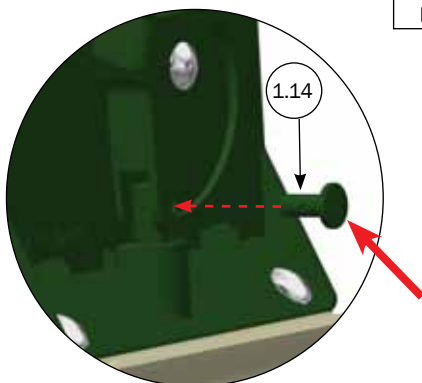
Place the adjustment handle in closed position.



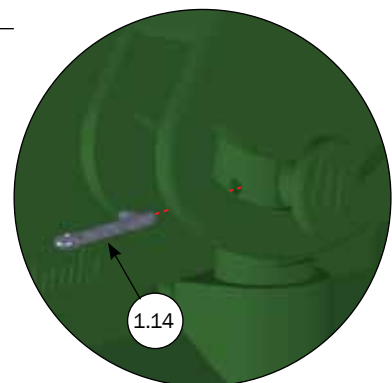
Closed dosage device.



The connection link is screwed up/down in order to get the dosage device in the closed position, tighten the nut afterwards.



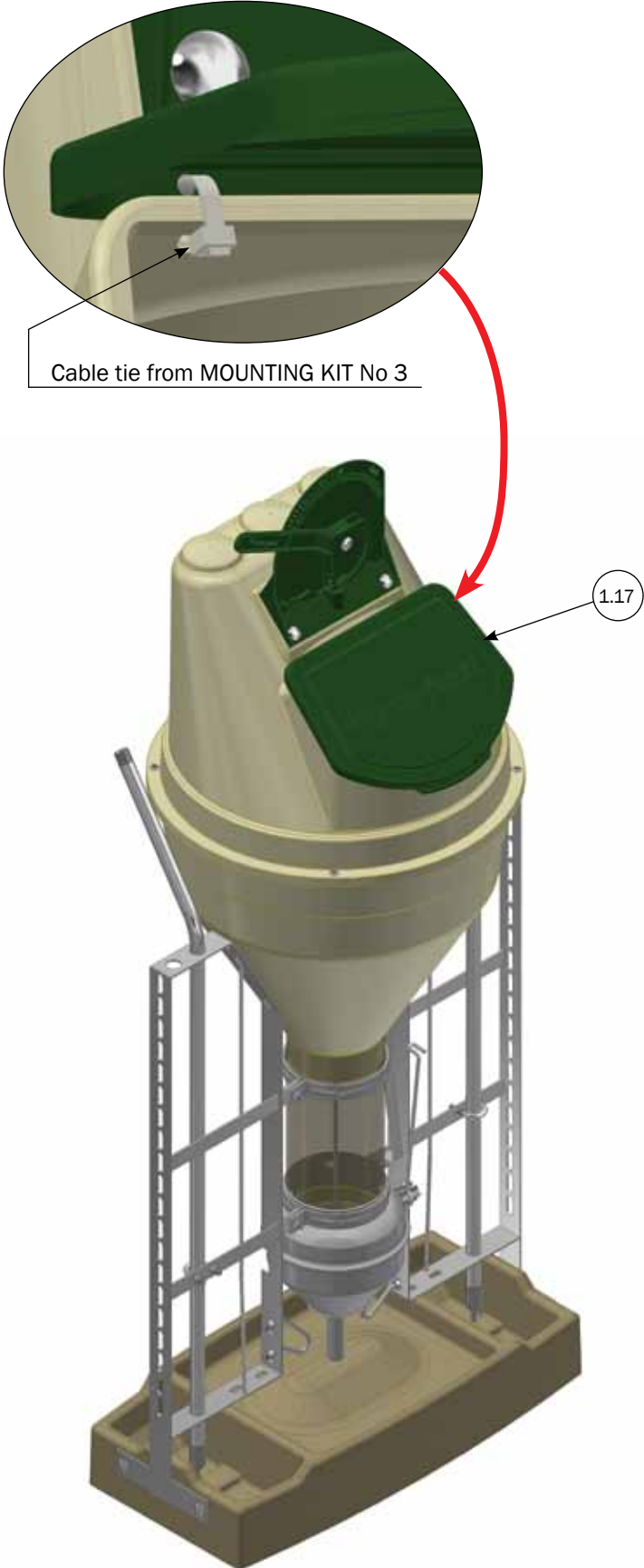
When the position for the dosage device is correct, the pin is mounted in the connection link.



0227-628 MOUNTING KIT No 9

# Mounting of lid for hopper

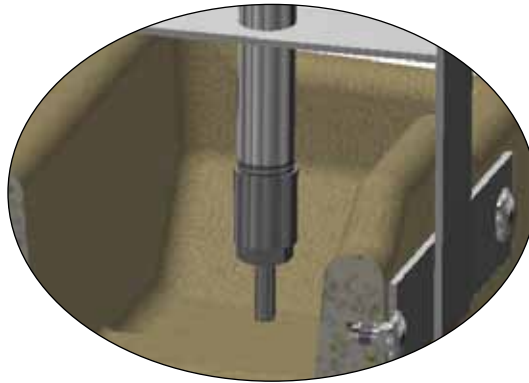
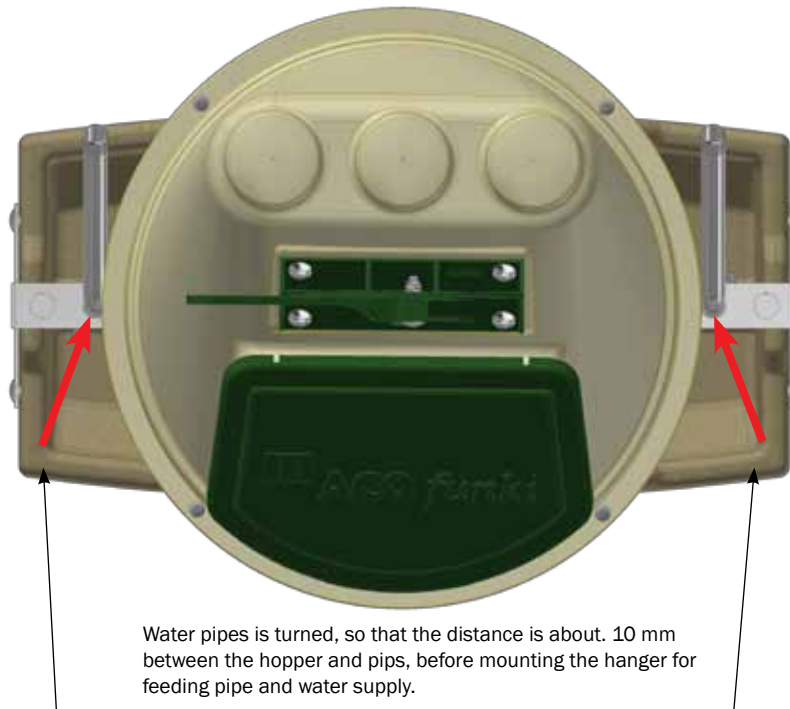
○ For parts list look at page 2 or 4





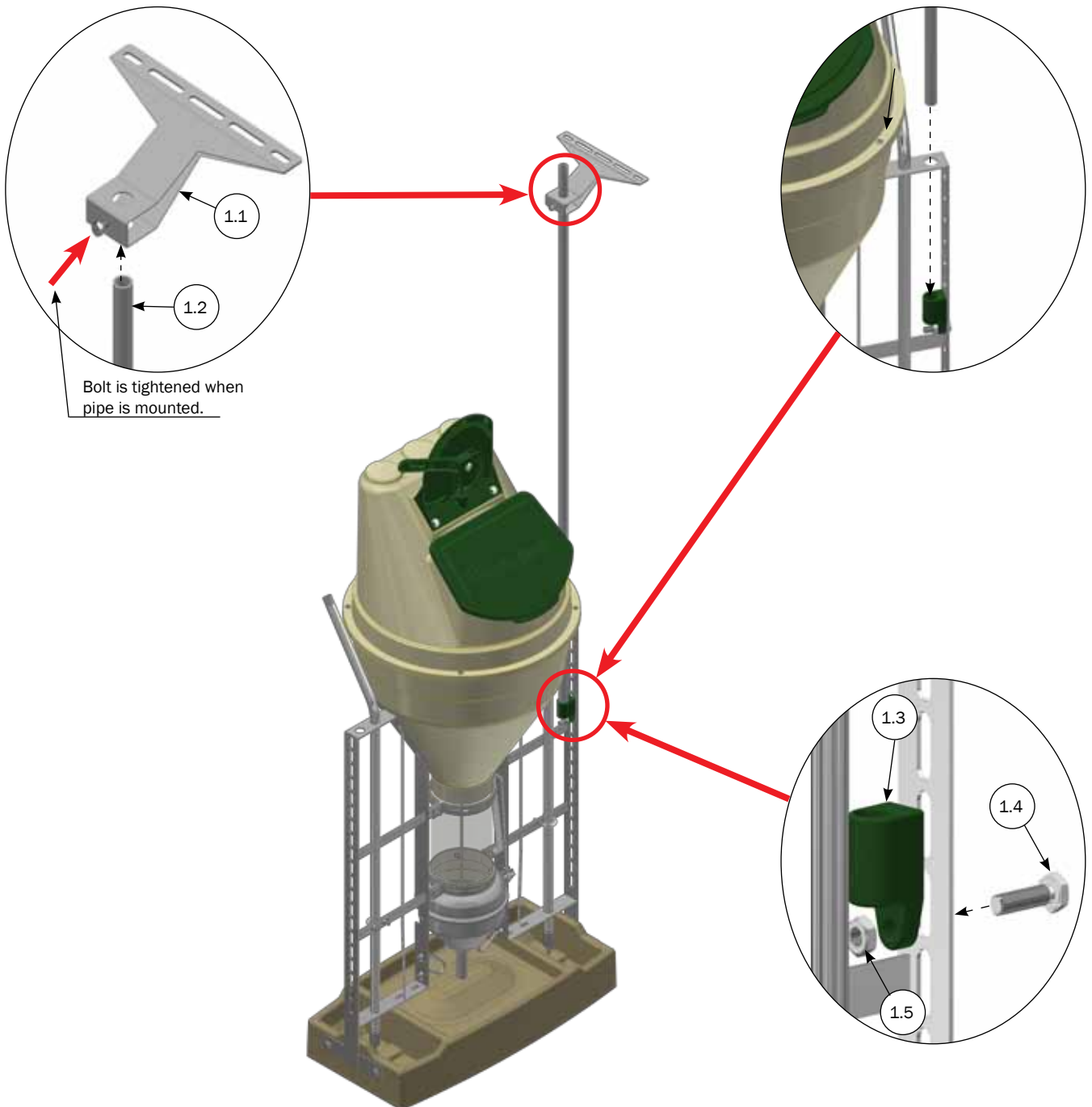
## Recommendations for water supply in FUNKIMAT

It's important, that the water supply is mounted correctly, to ensure good well-being and at the same time avoid water spilling.



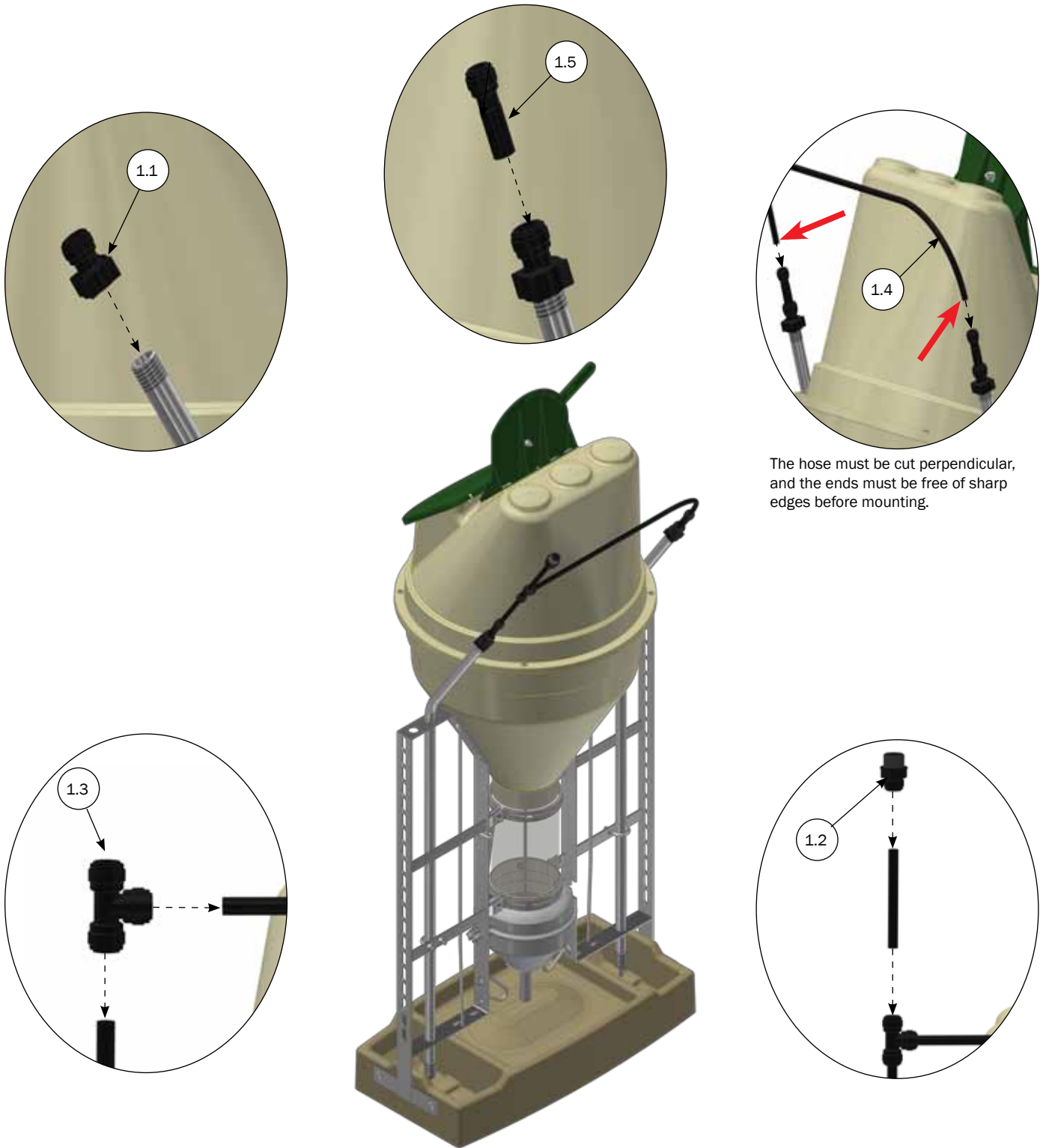
- The water pressure between 2 and 2,5 atm. ( bar ) for water valve.
- The water flow between 0,8 and 1,2 liter per minute
- The water valvé's performance must be regularly checked.
- The water supply must be oversized, so that the pressure and water flow dosen't fall if there should be a big water consumption.
- The water supply should be mounted with filter to prevent clogging of water valves.
- With too little water absorbtion from the pigs, check the following : water pressure, water flow, too many sows per valve ( weaners 5-35 kg. 30-50 pcs per trough, finisher 30-120 kg. 30-40 pcs. per trough.) or too little a distance between trough and water valve.
- With too big water consumption check the following: water pressure, water flow, leaky / malfunction water valve, or too big a distance between trough and water valve.

## Mounting of hanger for feeding pipe on FUNKIMAT



PARTS LIST			
No.	PCS.	ITEM No	DESCRIPTION
1	1	0227-587	HANGER FOR FEEDING PIPE
1.1	1	0227-360	PACKAGING NO. 0227-360-01
1.2	1	0227-503	SUPPORT FOR FEEDER
1.3	1	0227-530	CONSOLE FOR SUPPORT POST
1.4	1	30310040	SET SCREW M10X40 A2 DIN 933
1.5	1	33510017	NUT M10 A2 DIN 934

## Mounting of water connection on FUNKIMAT



The hose must be cut perpendicular, and the ends must be free of sharp edges before mounting.

PARTS LIST			
No	PCS.	ITEM No	DESCRIPTION
1	1	0227-580	WATER CONNECTING FOR SINGEL FEEDER 10 MM AQUASPEED WITH ½' OUTSIDE THREAD
1.1	2	23900504	AQUASPEED CONNECTION 15MMX1/2' WITH FEMALE THREAD
1.2	1	23900523	AQUASPEED FITTING 10MMX1/2' OUTSIDE THREAD
1.3	1	23900526	AQUASPEED T-PIECE 10 MM
1.4	5	23900529	PE-HOSE 10X1,5 MM - PER. LINEAR METER
1.5	2	23900534	AQUASPEED CONNECTION 10MM(HOSE)X15MM

