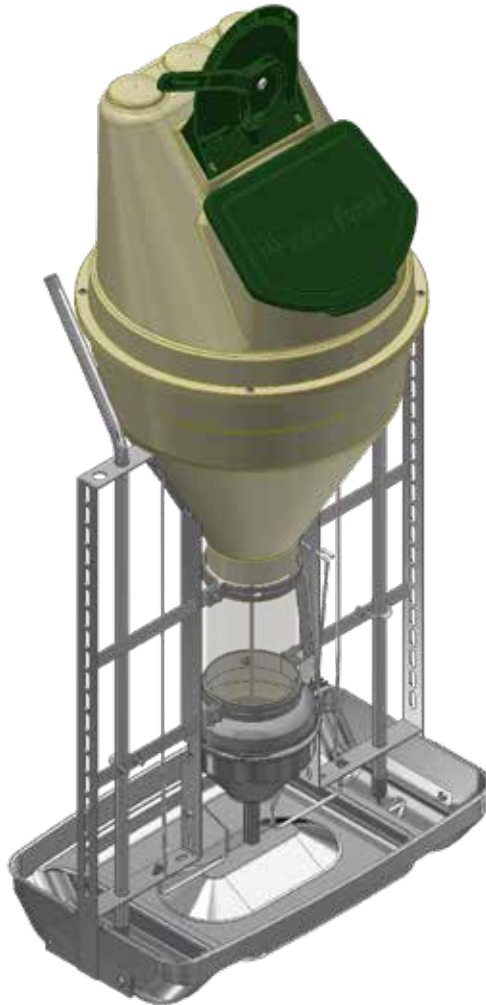


|M-1015_GB|

MOUNTING INSTRUCTION



FUNKIMAT VERSION 3

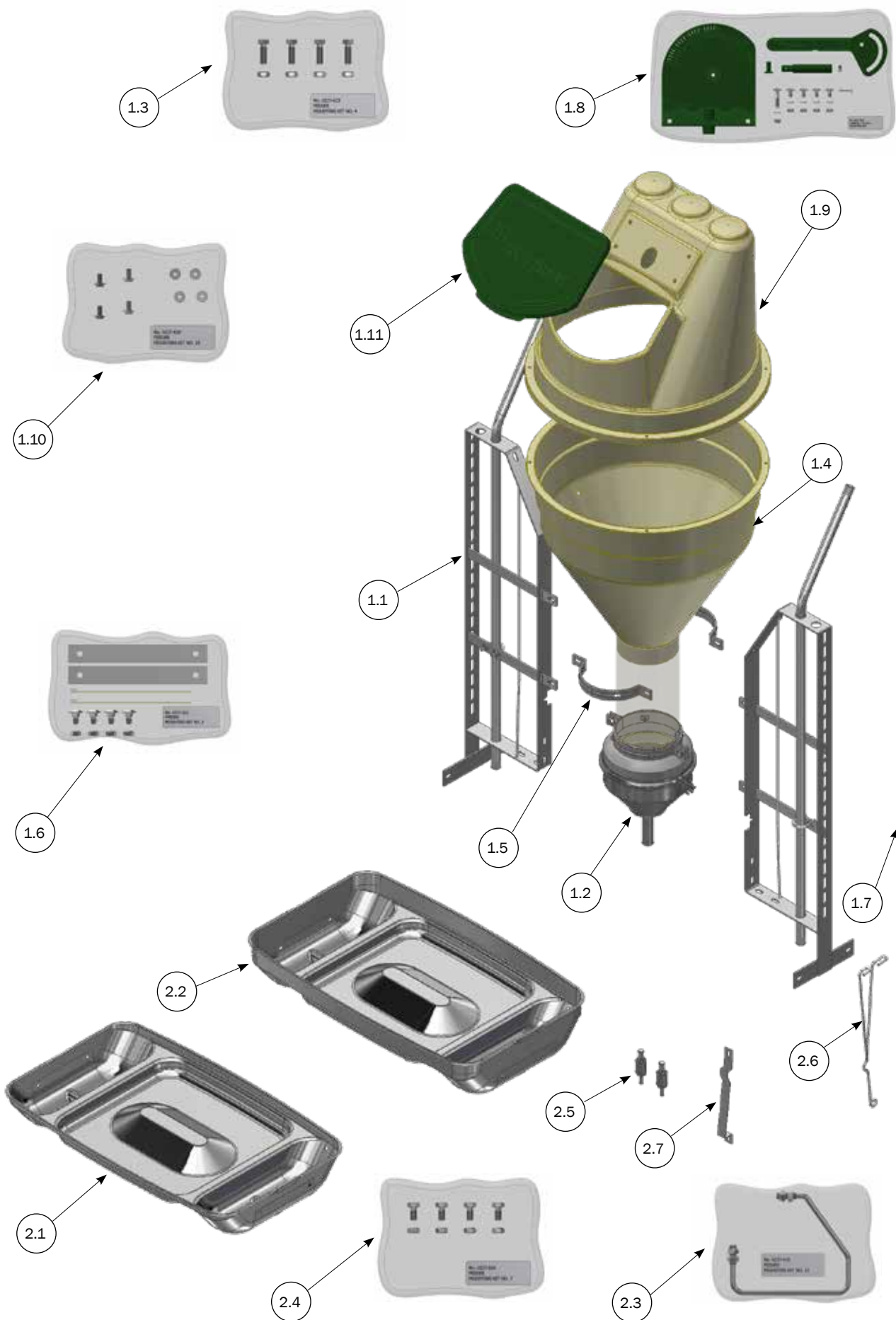


ACO FUNKI A/S
Kirkevænget 5
DK-7400 Herning

Tel. +45 9711 9600
www.acofunki.com
www.egebjerg.com

DANISH DESIGN | GERMAN QUALITY | GLOBAL EXPERIENCE

FUNKIMAT



○ For parts list look at page 3

M-1015_GB

PART LIST

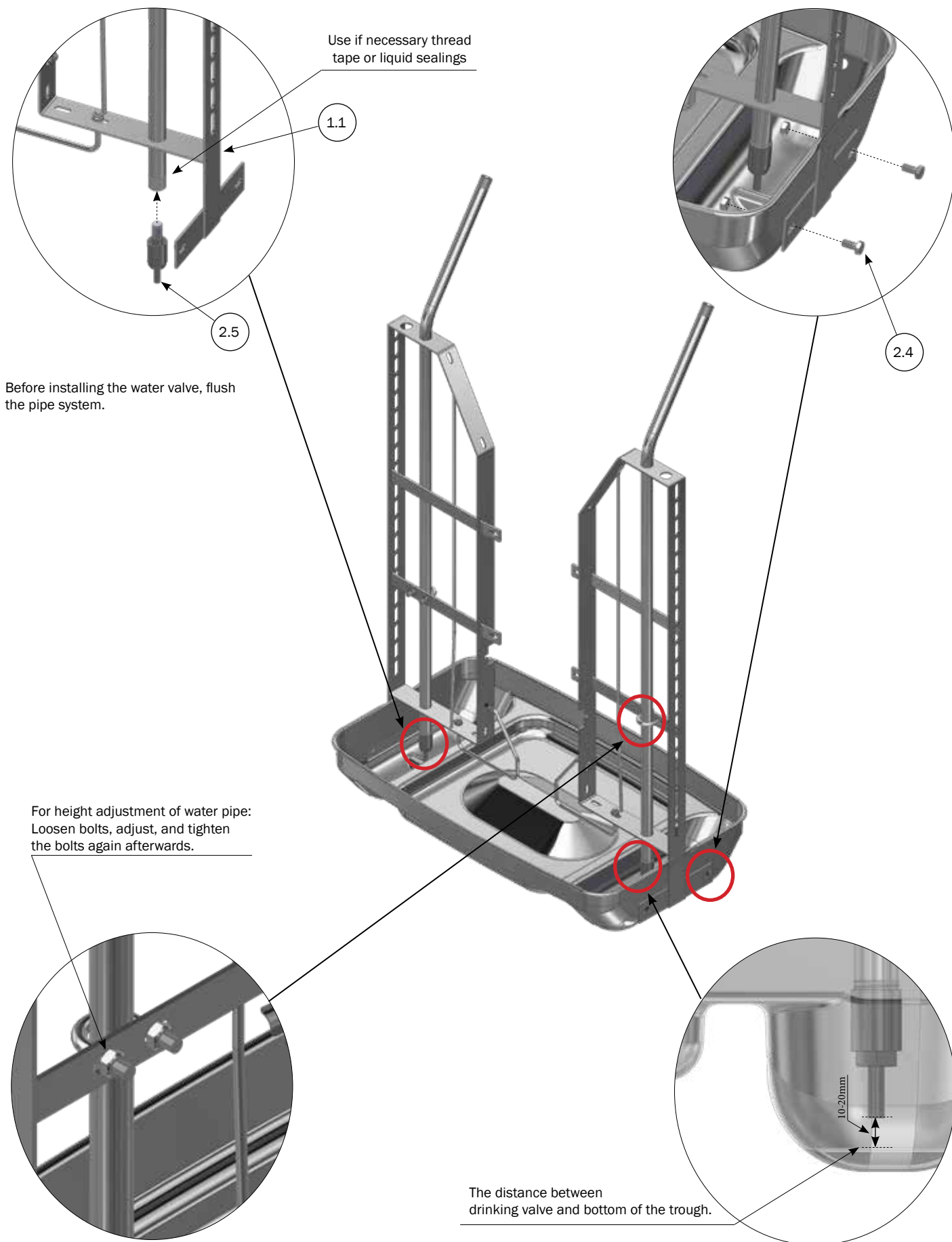
PART LIST OF FUNKIMAT			
No.	ITEM No.	DESCRIPTION	PCS.
	560710M	FUNKIMAT WEANER WITH STAINLESS STEEL TROUGH (FLAT-FLAT)	
	560711M	FUNKIMAT FINISHER WITH STAINLESS STEEL TROUGH (FLAT-FLAT)	
1.1	0227-531	FRAME TYPE 1, ASSEMBLED	2
1.2	0227-440	DOSAGE DEVICE FOR FUNKIMAT, ASSEMBLED	1
1.3	0227-623	FEEDER, MOUNTING KIT NO. 4	1
		SET SCREW M8X25 A2 DIN 933	4
		NUT M8 A2 WAX TREATMENT. DIN 934	4
1.4	0227-546	BOTTOM HOPPER FUNKIMAT VER. 3	1
1.5	0227-137	CLAMP FOR Ø140 MM FEED PIPE, FUNKIMAT	2
1.6	0227-622	FEEDER, MOUNTING KIT NO. 3	1
		MUSHROOMHEADED BOLT M8X16 A2 DIN 603	4
		NUT M8 A2 DIN 934	4
		CLAMPING PLATE	2
		CABLE STRIP 5MM	2
1.7	0227-523	ADJUSTMENT ROD, TYPE 1	1
1.8	0227-628	FEEDER, MOUNTING KIT NO. 9	1
		SCALE PLATE	1
		ADJUSTMENT HANDLE	1
		PIN F/HANDLE. FUNKIMAT VER.3	1
		CONNECTION LINK	1
		MUSHROOMHEADED BOLT M8X45 A2 DIN 603	1
		FLAT WASHER Ø8X8,4/16/1,6 A2 DIN 125 A	5
		LOCK NUT M8 A2 WAX TREATMENT. DIN985	1
		MUSHROOMHEADED BOLT M8X16 A2 DIN 603	4
		NUT M8 A2 WAX BEHIND. DIN 934	5
		SPLIT PIN 2.5X30 A2 DIN 94	1
1.9	0227-545	TOP HOPPER, FUNKIMAT VER. 3	1
1.10	0227-629	FEEDER, MOUNTING KIT NO. 10	1
		COLLAR HEAD NUT M6 A2 DIN 6923	4
		SET SCREW WITH COLLAR M6X12 A2	4
1.11	0227-506	LID FOR HOPPER, FUNKIMAT	1

No.	ITEM No.	DESCRIPTION	STK.
2.1	0227-700	ST TROUGH WEANER FOR FUNKIMAT	1
2.2	0227-701	ST TROUGH FINISHER F/FUNKIMAT	1
2.3	0227-632	MOUNTING KIT NO. 12	2
		BLOCKING FITTING	2
		NUT M8 A2 WAX BEHIND. DIN 934	4
		LOCK NUT M8 A2 WAX BEHIND. DIN985	4
2.4	0227-626	FEEDER, MOUNTING KIT NO. 7	1
		SET SCREW M8X16 A2 DIN 933	4
		NUT M8 A2 DIN 934	4
2.5	12100107	DRINKING VALVE 1/2" ST TYPE 13	2
2.6	0227-370	RATAINER SPRING FOR DOSAGE DEVICE, STAINLESS STEEL FUNKIMAT VER. 2	1
2.7	0227-599	LOCK BRACKET FOR PROTECTION OF FUNKIMAT	1

Beside the unassembled funkimat, use also sale set: 2.1 trough for weaners or 2.2 trough for finisher.

MOUNTING OF FRAME TYPE 1 AND DRINKING VALVE

0227-626 MOUNTING KIT No 7



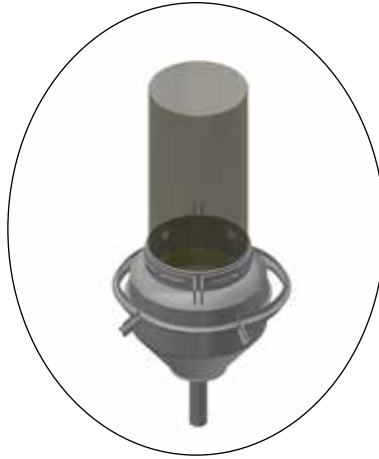
○ For parts list look at page 3

M-1015_GB

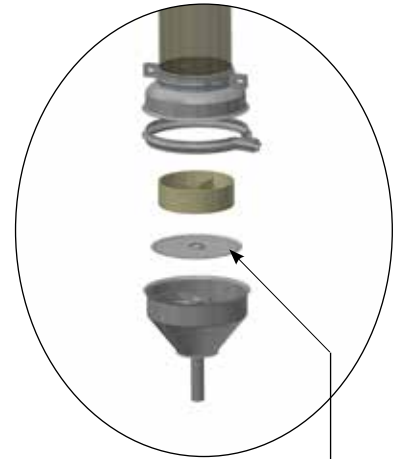
CHANGE OR REPLACEMENT OF DOSAGE DISC



Item no. 0227-440 dosage device for Funkimat, assembled.



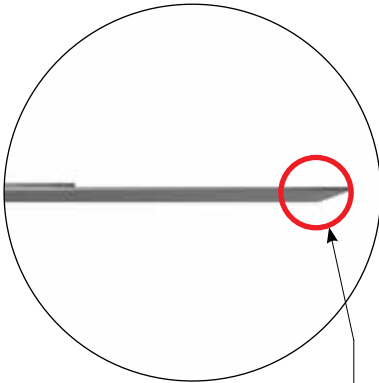
To change or replace dosing discs: Start by loosening the strap on the dosing head.



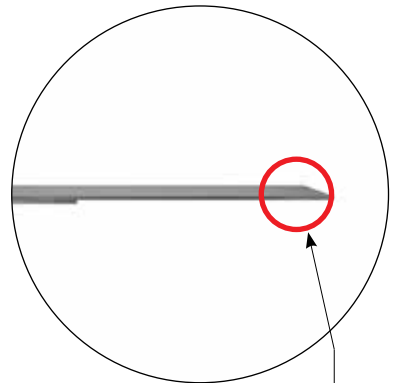
Then pull the bottom from the top hopper in order to get to the dosage disc



Item no. 0227-088 dosage disc ver. 3, is standard in the dosage device from the start.



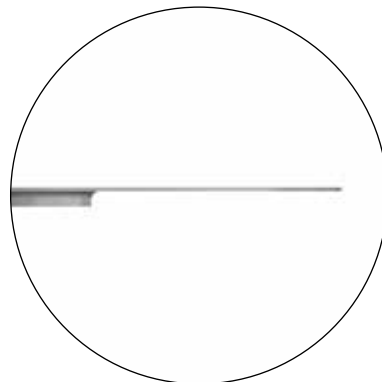
Dosage disc **item no. 0227-088** Has to turn up when Pellet feed is used.



Dosage disc **item no. 0227-088** Has to turn down when Meal feed is used.



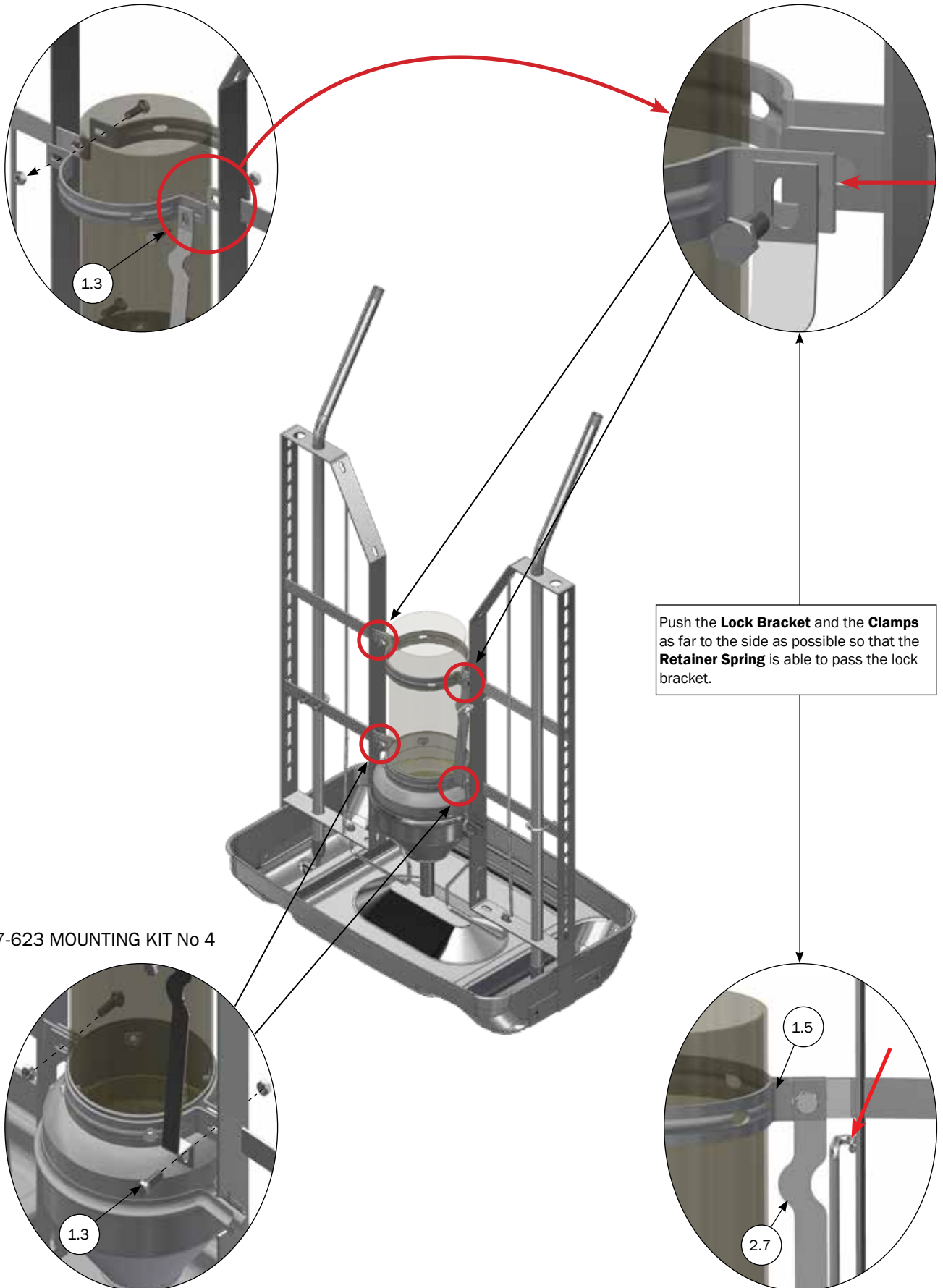
For more feed in the trough can **item no. 0227-309 dosage disc ver. 4 small** be ordered.



Item no 0227-309 dosage disc ver. 4 small It has no influence how the disc is turning for feed.

MOUNTING OF DOSAGE DEVICE AND LOCK BRACKET

0227-623 MOUNTING KIT No 4



Push the **Lock Bracket** and the **Clamps** as far to the side as possible so that the **Retainer Spring** is able to pass the lock bracket.

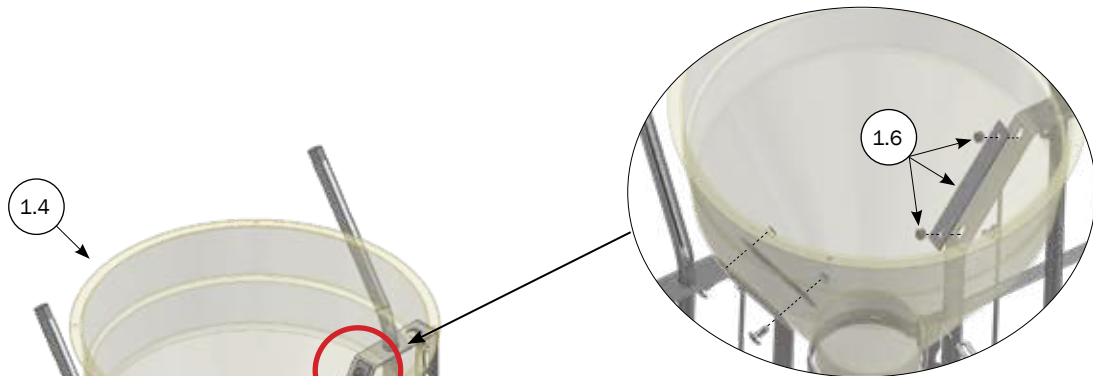
0227-623 MOUNTING KIT No 4

○ For parts list look at page 3

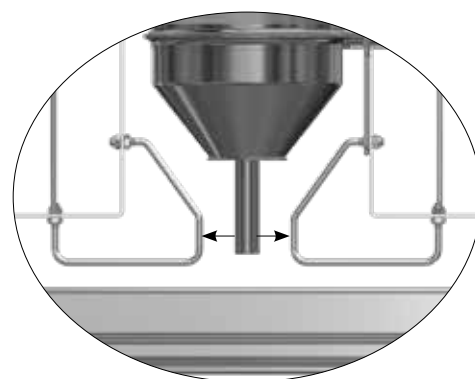
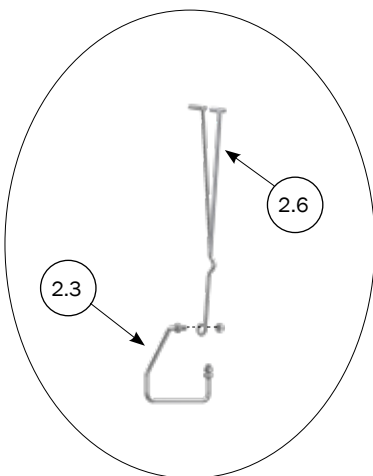
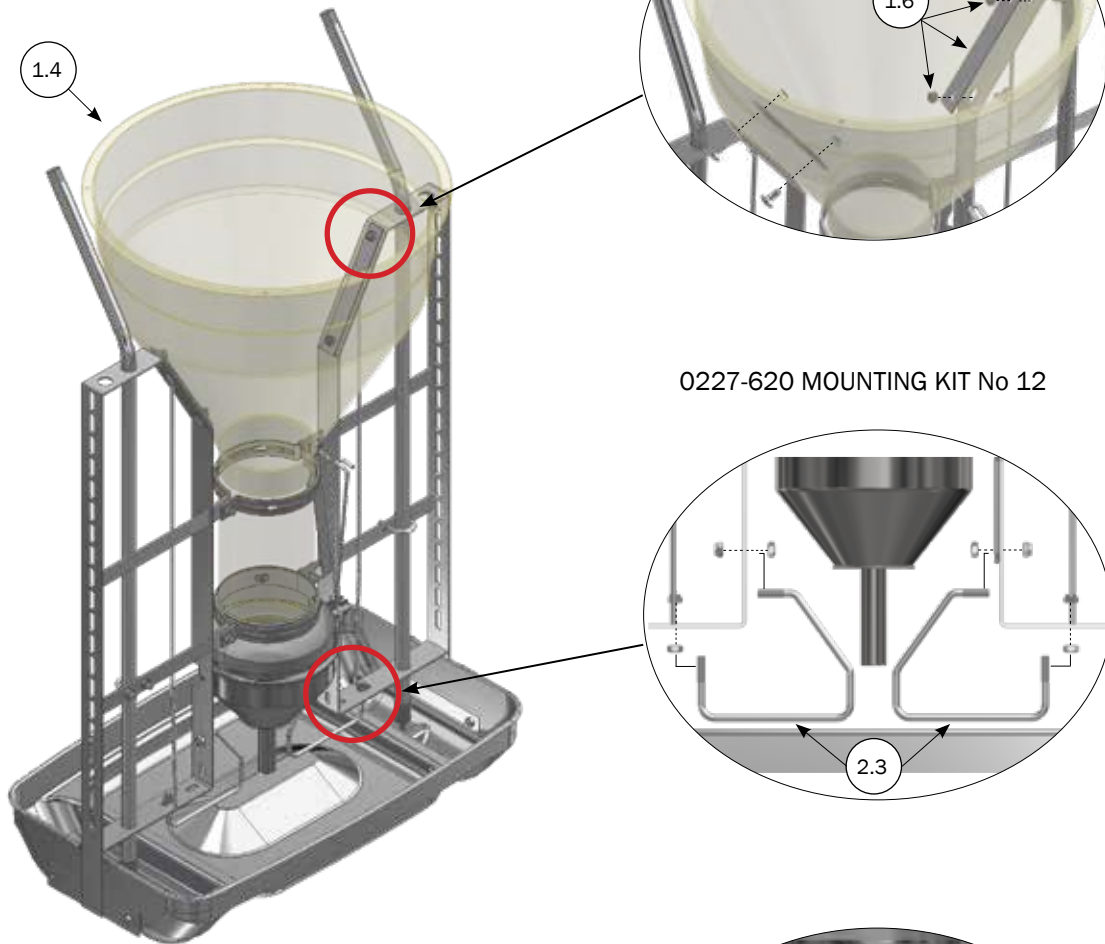
M-1015_GB

MOUNTING OF BOTTOM HOPPER, BLOCKING FIXTURE, RATAINER SPRING AND ADJUSTMENT ROD

0227-622 MOUNTING KIT No 3



0227-620 MOUNTING KIT No 12



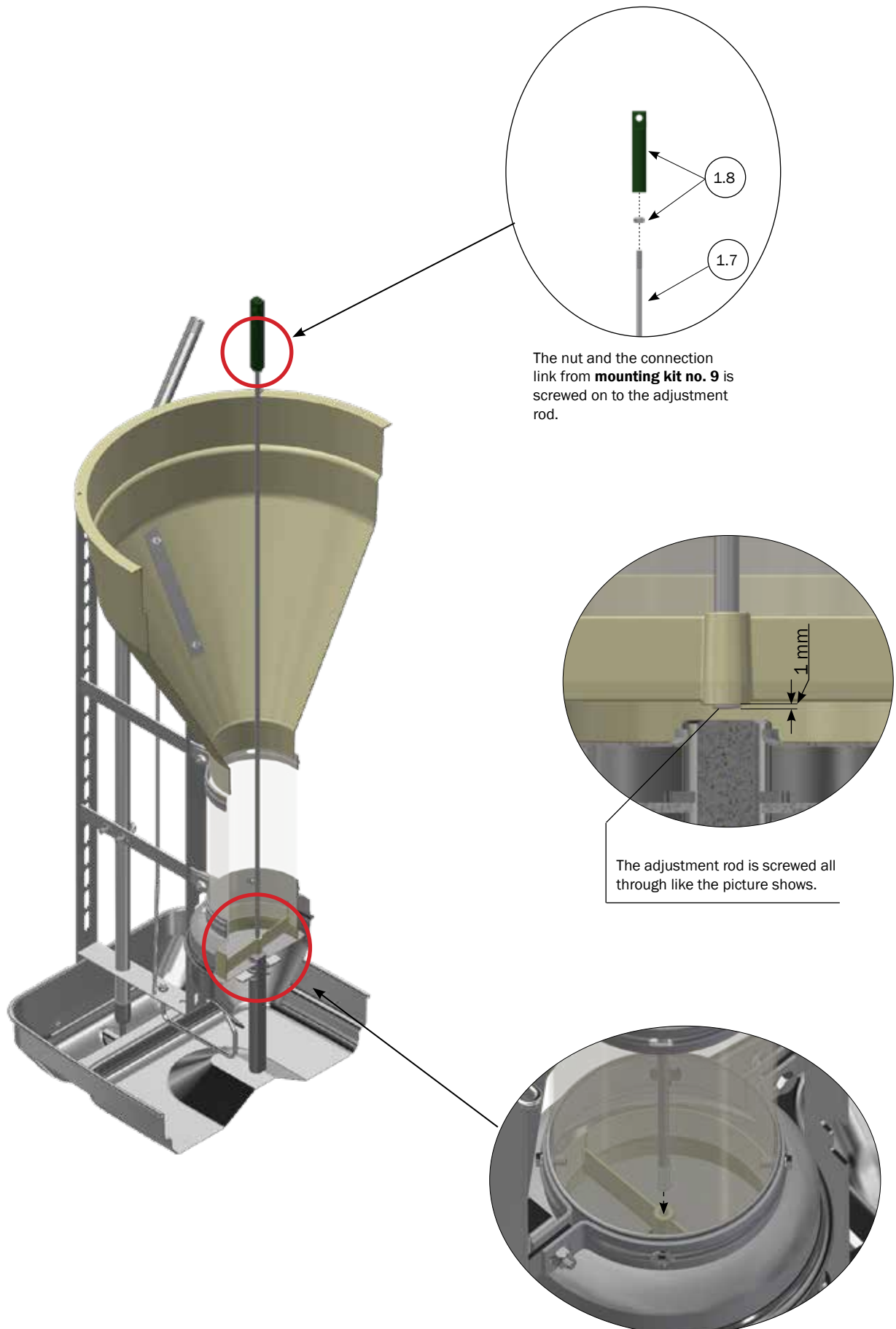
Blocking fixture is mounted with the same distance into the pendulum from both sides

Locking spring for dosing head is mounted on locking brackets before mounting locking brackets on inv. module.

○ For parts list look at page 3

M-1015_GB

MOUNTING OF ADJUSTMENT ROD IN THE DOSAGE DEVICE



The nut and the connection link from **mounting kit no. 9** is screwed on to the adjustment rod.

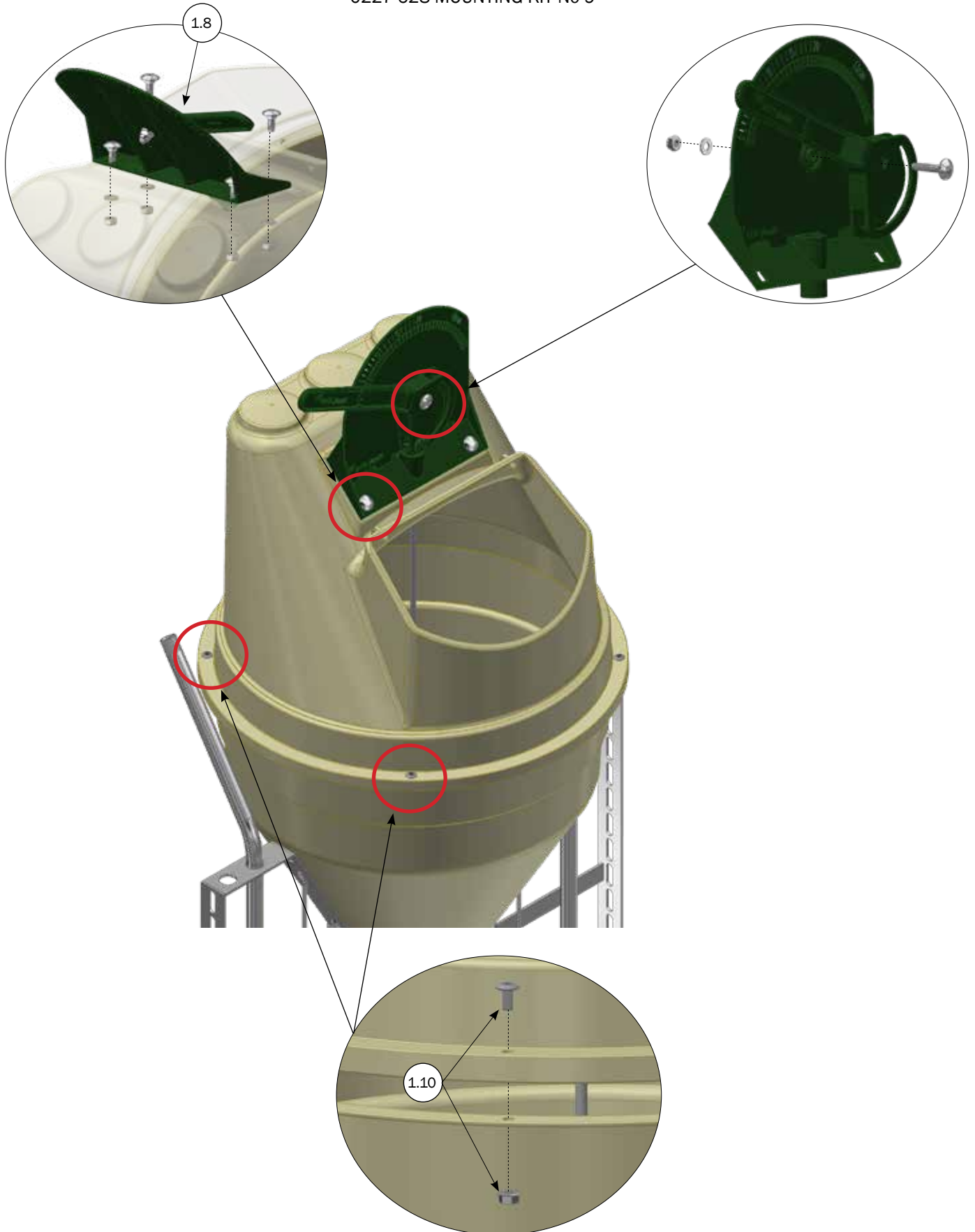
The adjustment rod is screwed all through like the picture shows.

○ For parts list look at page 3

M-1015_GB

MOUNTING OF TOP HOPPER AND ADJUSTMENT HANDLE ON SCALE PLATE

0227-628 MOUNTING KIT No 9

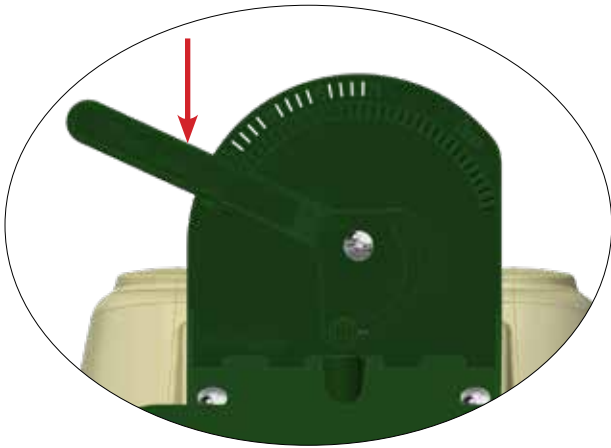


0227-629 MOUNTING KIT No 10

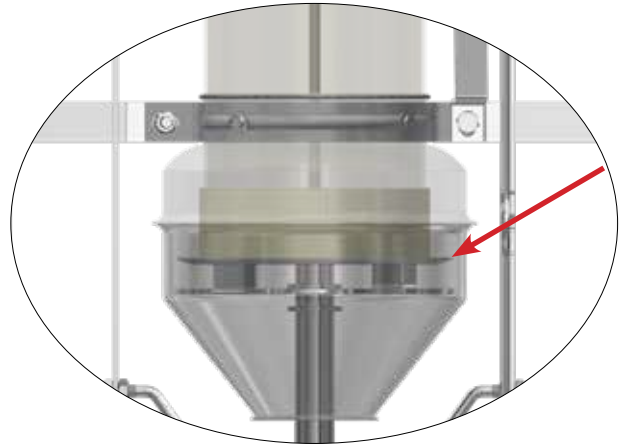
○ For parts list look at page 3

M-1015_GB

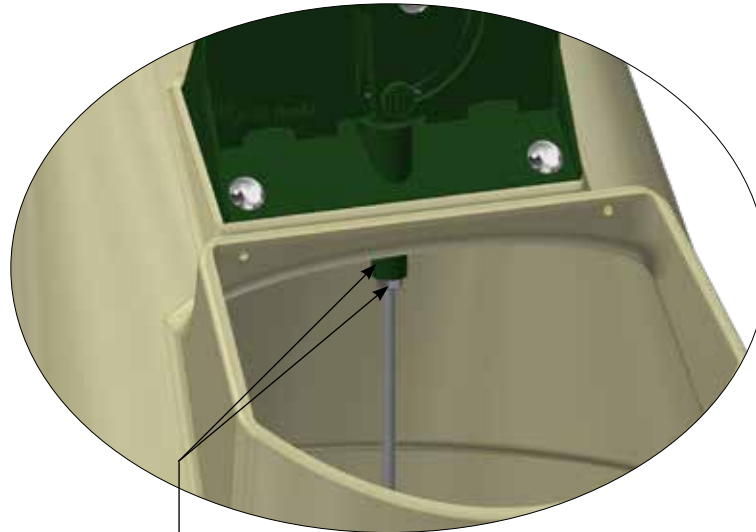
MOUNTING AND ADJUSTMENT OF SCALE PLATE



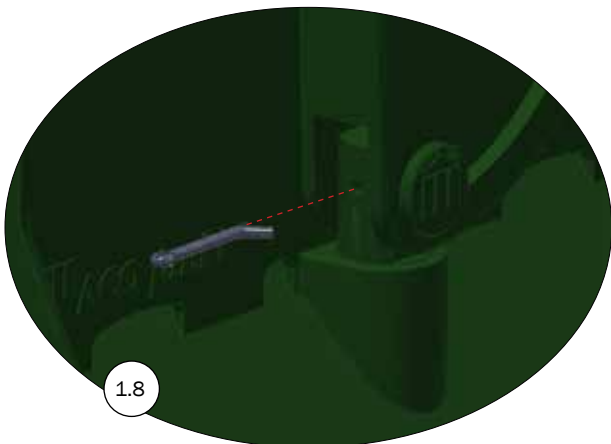
Place the adjustment handle in closed position.



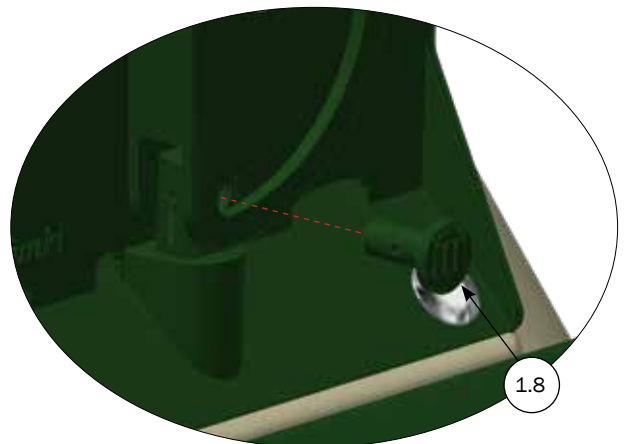
Closed dosage device.



The connection link is screwed up/down in order to get the dosage device in the closed position, tighten the nut afterwards.



0227-628 MOUNTING KIT No 9

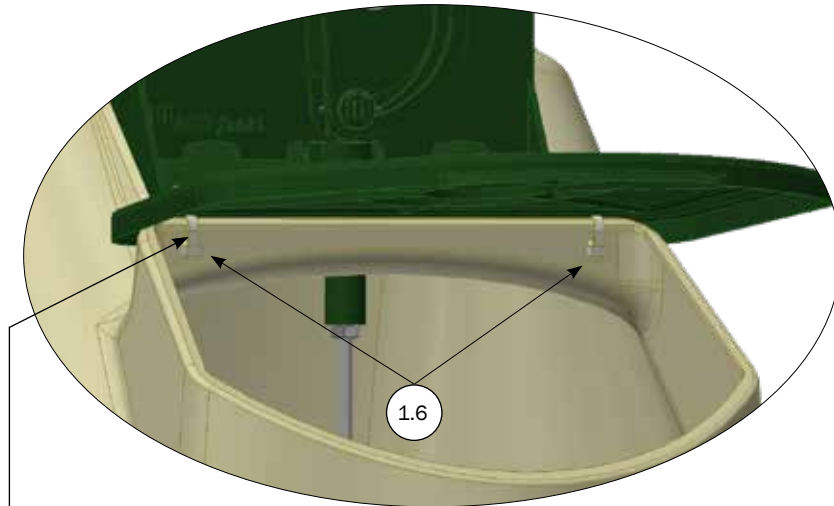


When the position for the dosage device is correct, the pin is mounted in the connection link.

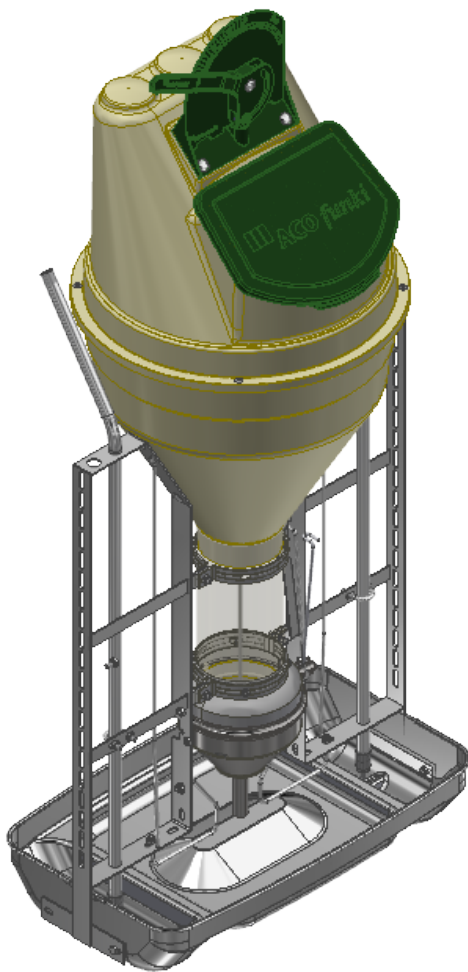
○ For parts list look at page 3

M-1015_GB

MOUNTING OF LID FOR HOPPER



Cables from: 0227-622 MOUNTING KIT No 3



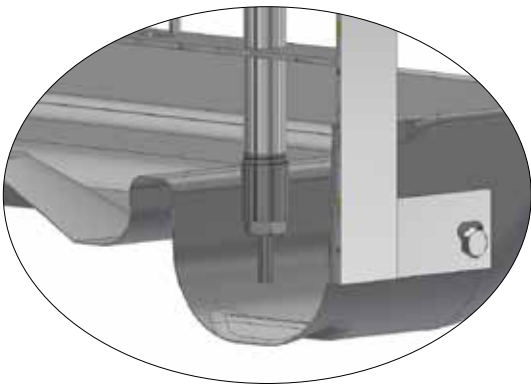
○ For parts list look at page 3

M-1015_GB

RECOMMENDATIONS FOR WATER SUPPLY



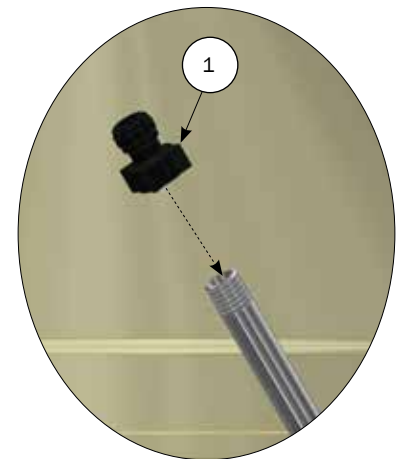
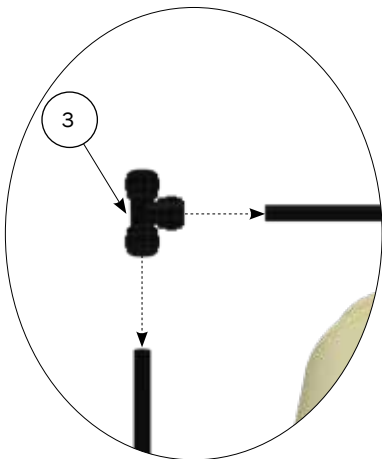
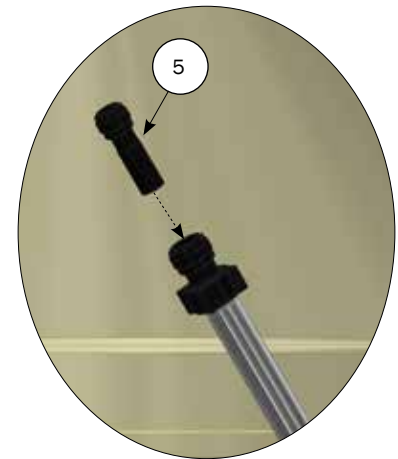
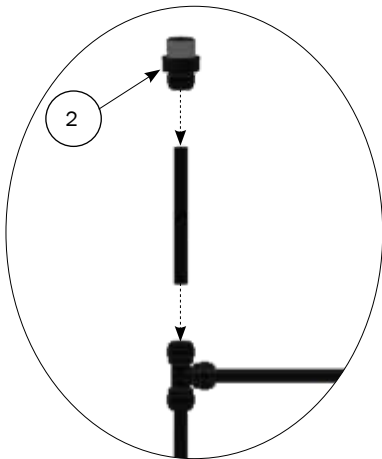
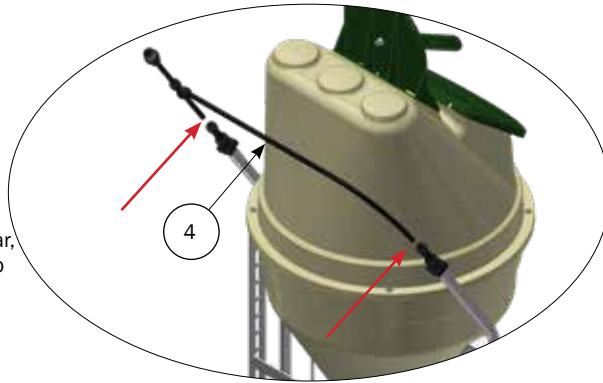
Water pipes is turned, so that the distance is about. 10 mm between the hopper and pips, before mounting the hanger for feeding pipe and water supply.



- Before installing the water valve, flush the pipe system.
- The water pressure between 2 and 2,5 atm. (bar) for water valve.
- The water flow between 0,8 and 1,2 liter per minute
- The water valvé's performance must be regularly checked.
- The water supply must be oversized, so that the pressure and water flow doesn't fall if there should be a big water consumption.
- The water supply should be mounted with filter to prevent clogging of water valves.
- With too little water absorption from the pigs, check the following : water pressure, water flow, too many sows per valve (weaners 5-35 kg. 30-50 pcs per trough, finisher 30-120 kg. 30-40 pcs. per trough.) or too little a distance between trough and water valve.
- With too big water consumption check the following: water pressure, water flow, leaky / malfunction water valve, or too big a distance between trough and water valve.

MOUNTING OF WATER CONNECTION

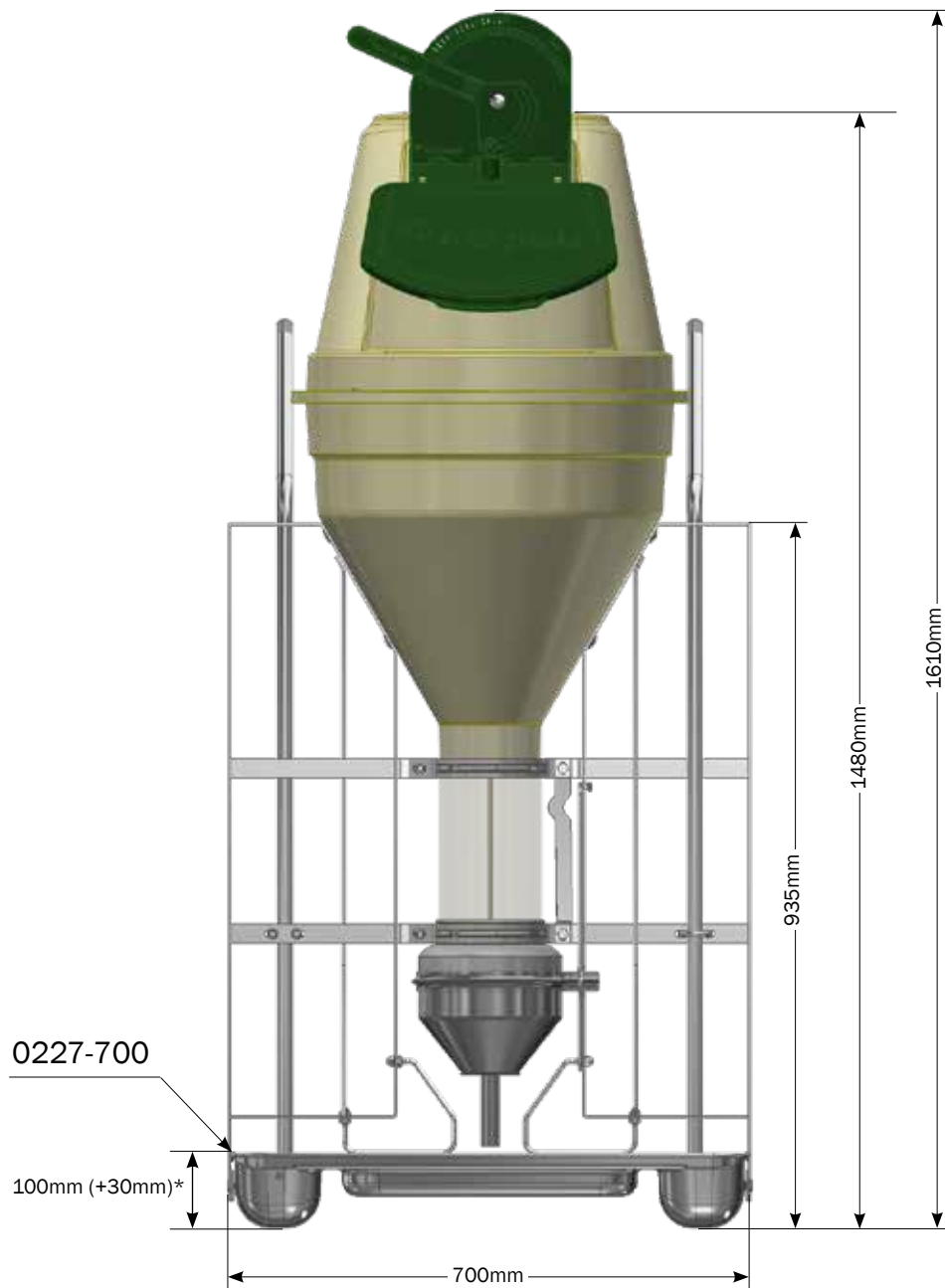
The hose must be cut perpendicular, and the ends must be free of sharp edges before mounting.



PARTS LIST

No.	ITEM No.	DESCRIPTION	PCS.
	0227-580	WATER CONNECTING FOR SINGEL FEEDER 10 MM AQUASPEED WITH ½" OUTSIDE THREAD	1
1	23900504	AQUASPEED CONNECTION 15 MM X 1/2" WITH FEMALE THREAD	2
2	23900523	AQUASPEED FITTING 10MMX1/2" OUTSIDE THREAD	1
3	23900526	AQUASPEED T-PIECE 10 MM	1
4	23900529	PE-HOSE 10X1,5 MM - PRICE PER METER	3
5	23900534	AQUASPEED CONNECTION 10MM(HOSE)X15MM	2

MEASURE



* The height of the 0227-701 trough for finisher is 130mm.