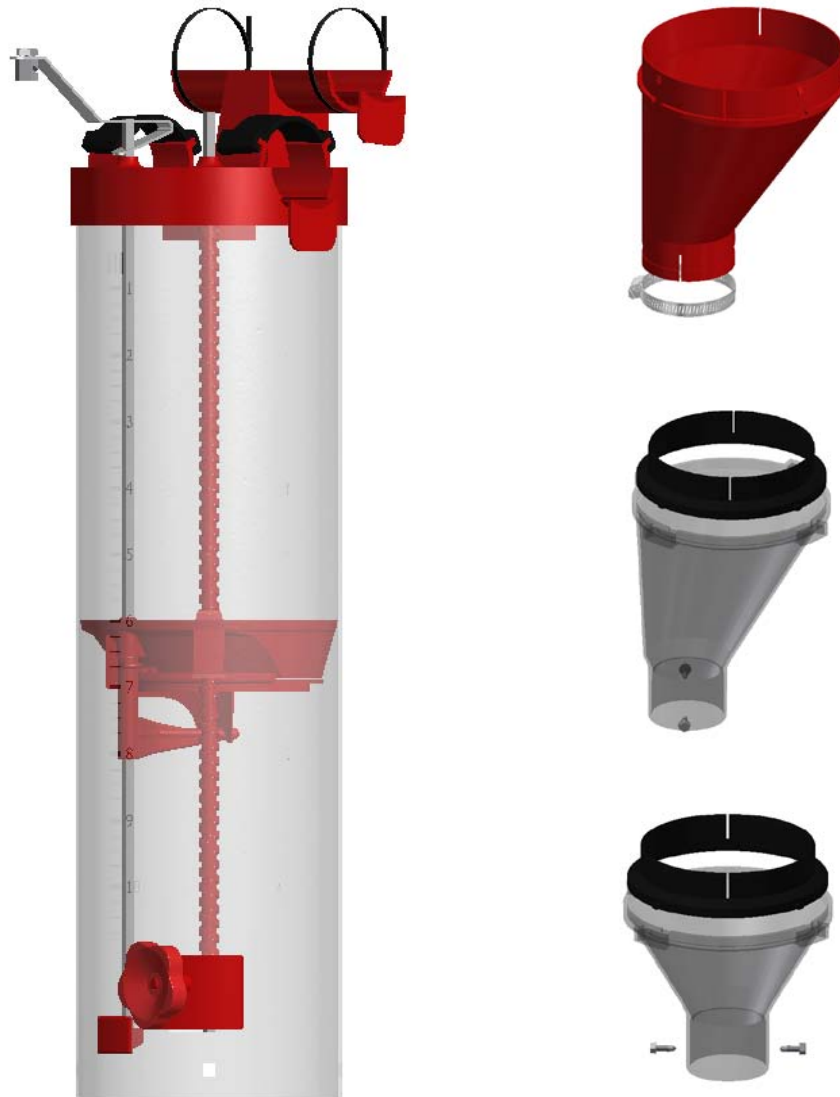


MOUNTING INSTRUCTION



VD22-Ø60 6-10 LITER



ACO FUNKI A/S

Kirkevænget 5
DK-7400 Herning

Tel. +45 9711 9600

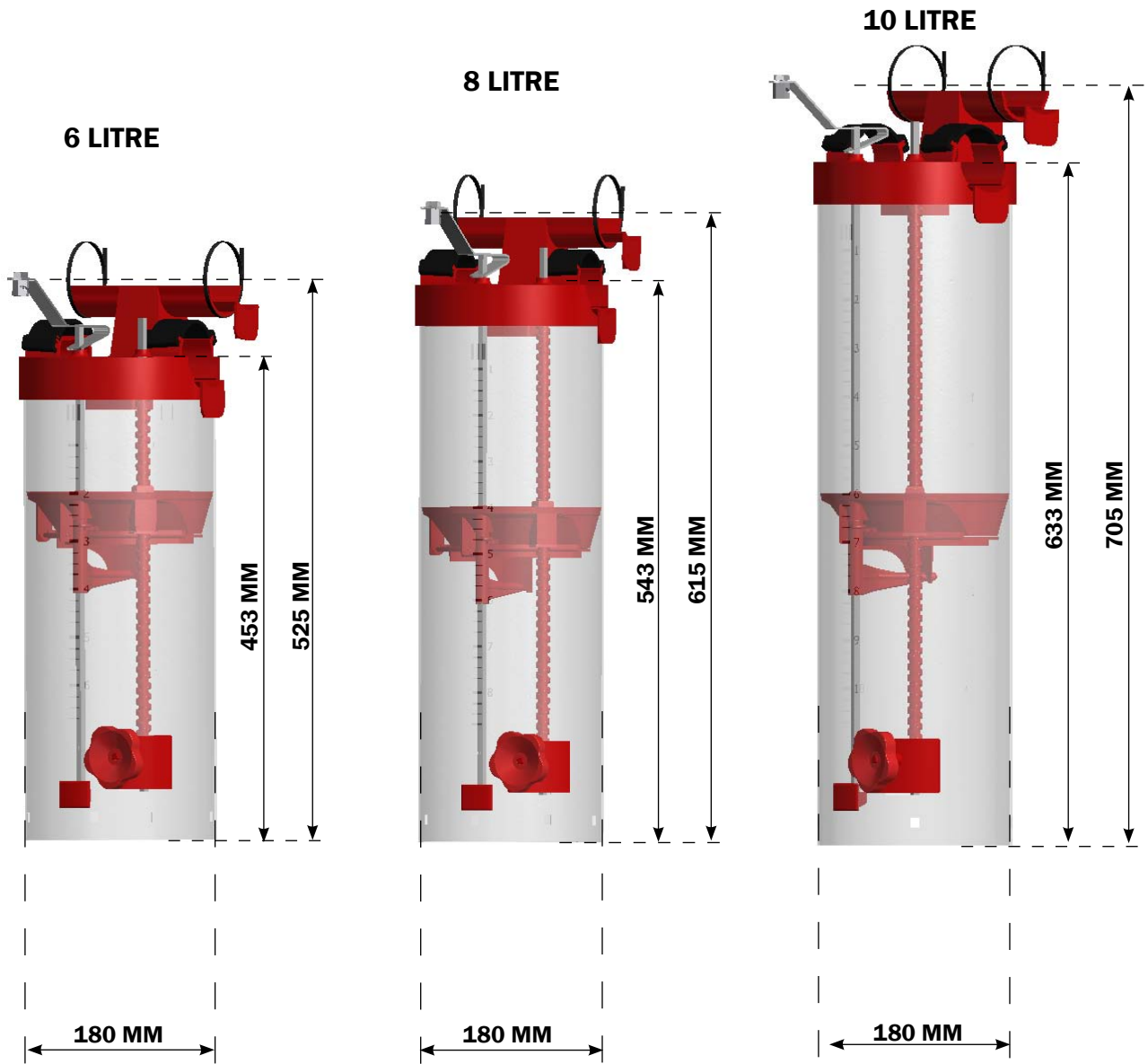
Fax +45 9711 9677

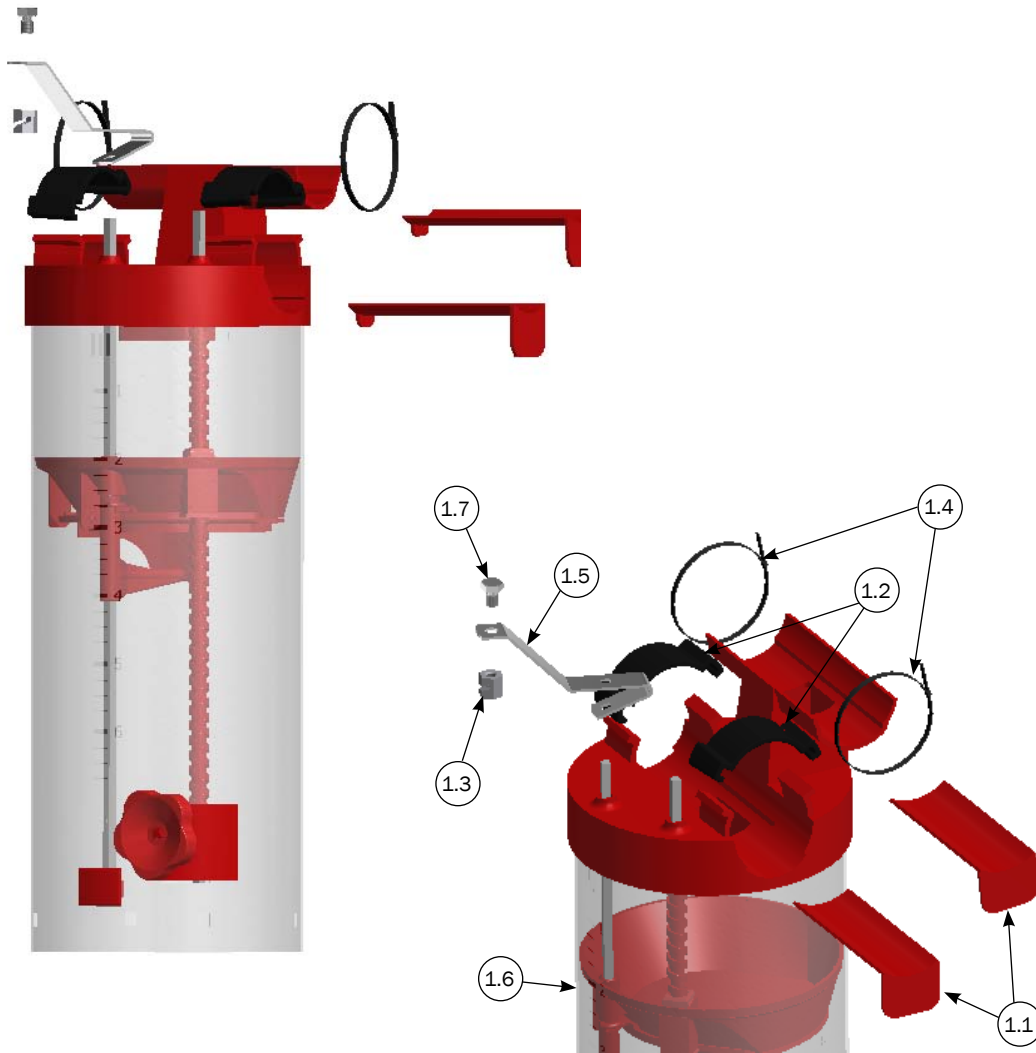
www.acofunki.com

FUNKI

DANISH DESIGN | GERMAN QUALITY | GLOBAL EXPERIENCE

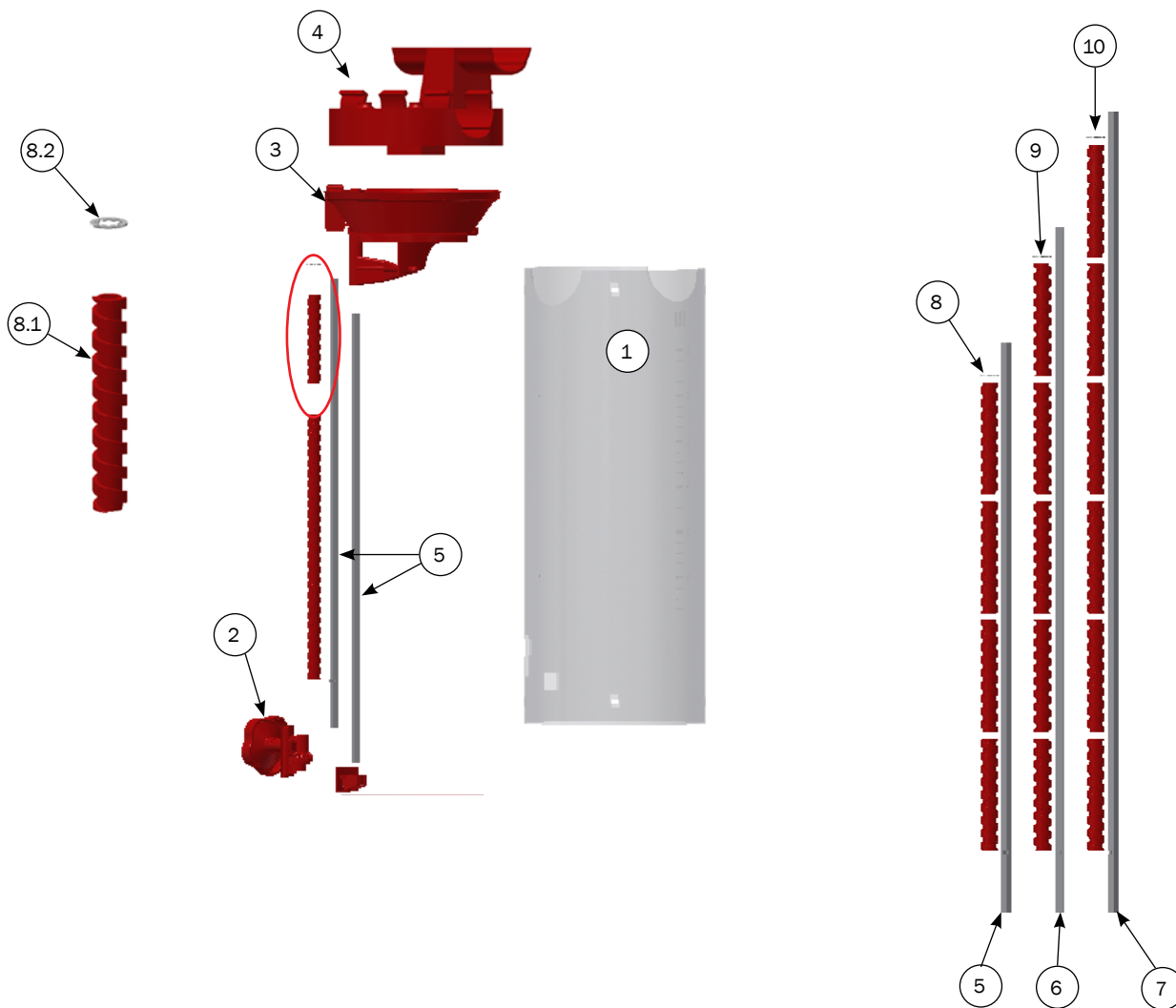
DIMENSION VD22 Ø60, 6-10 LITER





PART LIST			
NO.	PCS.	ITEM NO.	DESCRIPTION
		0221-510	VD22 - Ø60, 10 LITER WITH Ø75MM OUTLET
		0221-508	VD22 - Ø60, 8 LITER WITH Ø75MM OUTLET
1	1	0221-506	VD22 - Ø60, 6 LITER WITH Ø75MM OUTLET
1.1	1	0221-127	SLIDE WITHOUT HOLE
1.2	2	0221-128	CLAMP VD1+VD2
1.3	1	0221-133	WIRE CLAMP ST
1.4	1	90260	HOSE CLAMP 60-80 MM SS
1.5	1	0221-235	ARM WITH SQUARE HOLE
1.6	1	0221-298	CONTAINER TYPE 6 VD2 Ø75
1.7	1	30308012	SET SCREW M8X12 A2 DIN 933

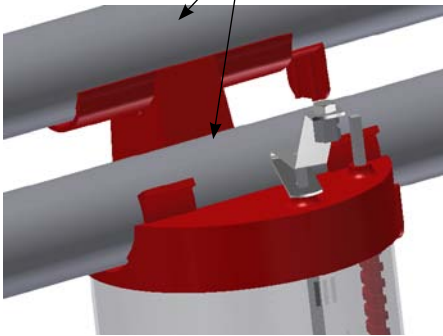
SPAREPARTS FOR CONTAINER TYPE VD22-Ø60, 6-10 LITER



PART LIST			
NO.	PCS.	ITEM NO.	DESCRIPTION
		0221-294	CONTAINER TYPE 10 VD2 Ø75
		0221-296	CONTAINER TYPE 8 VD2 Ø75
1	1	0221-298	CONTAINER TYPE 6 VD2 Ø75
2	1	0221-280	HANDLE WITH MITRE GEAR VD2
3	1	0221-138	BOTTOM WITH CLOSING FLAP AND -ARM VD1+VD2
4	1	0221-142	COVER FOR VOLDOS VD2
5	2	Not in assortment	REGULATING LEVER 6L VD2
6		0221-140	REGULATING LEVER 8L VD2
7		0221-141	REGULATING LEVER 10L VD2
8	1	0221-137	VD1+VD2 SPINDLE TYPE 6, COMPLETE
8.1	4	0221-160	SPINDEL TP Ø14X20
8.2	2	35900086	LOCK WASHER FOR VD2
9	1	0221-162	VD1+VD2 SPINDLE TYPE 8, COMPLETE
	5	0221-160	SPINDEL TP Ø14X20
	2	35900086	LOCK WASHER FOR VD2
10	1	0221-163	VD1+VD2 SPINDLE TYPE 10, COMPLETE
	6	0221-160	SPINDEL TP Ø14X20
	2	35900086	LOCK WASHER FOR VD2

MOUNTING

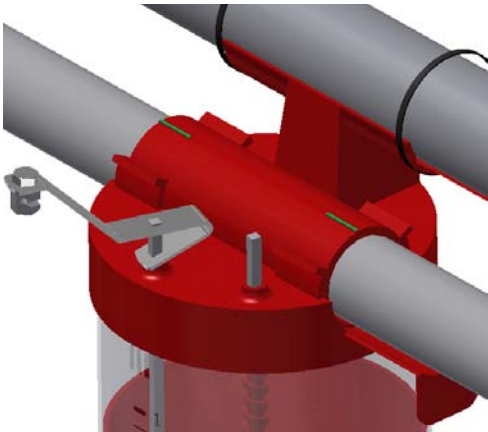
Mounted on Ø60mm Pipe



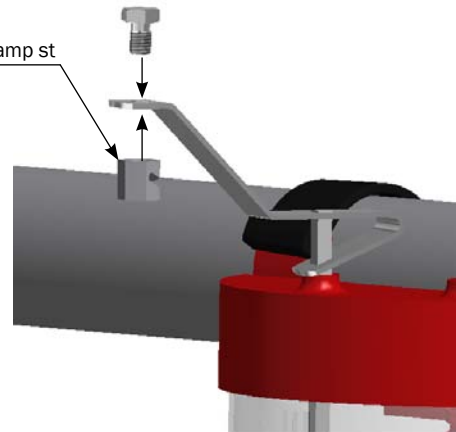
Mounting of Clamps



Mounted with **Adapter VD2/VD6** for reducer



Mounting of Wire Clamp st



0131-191
VD2/VD6 CONNECTION FOR Ø38 MM
CONVEYOR TUBE

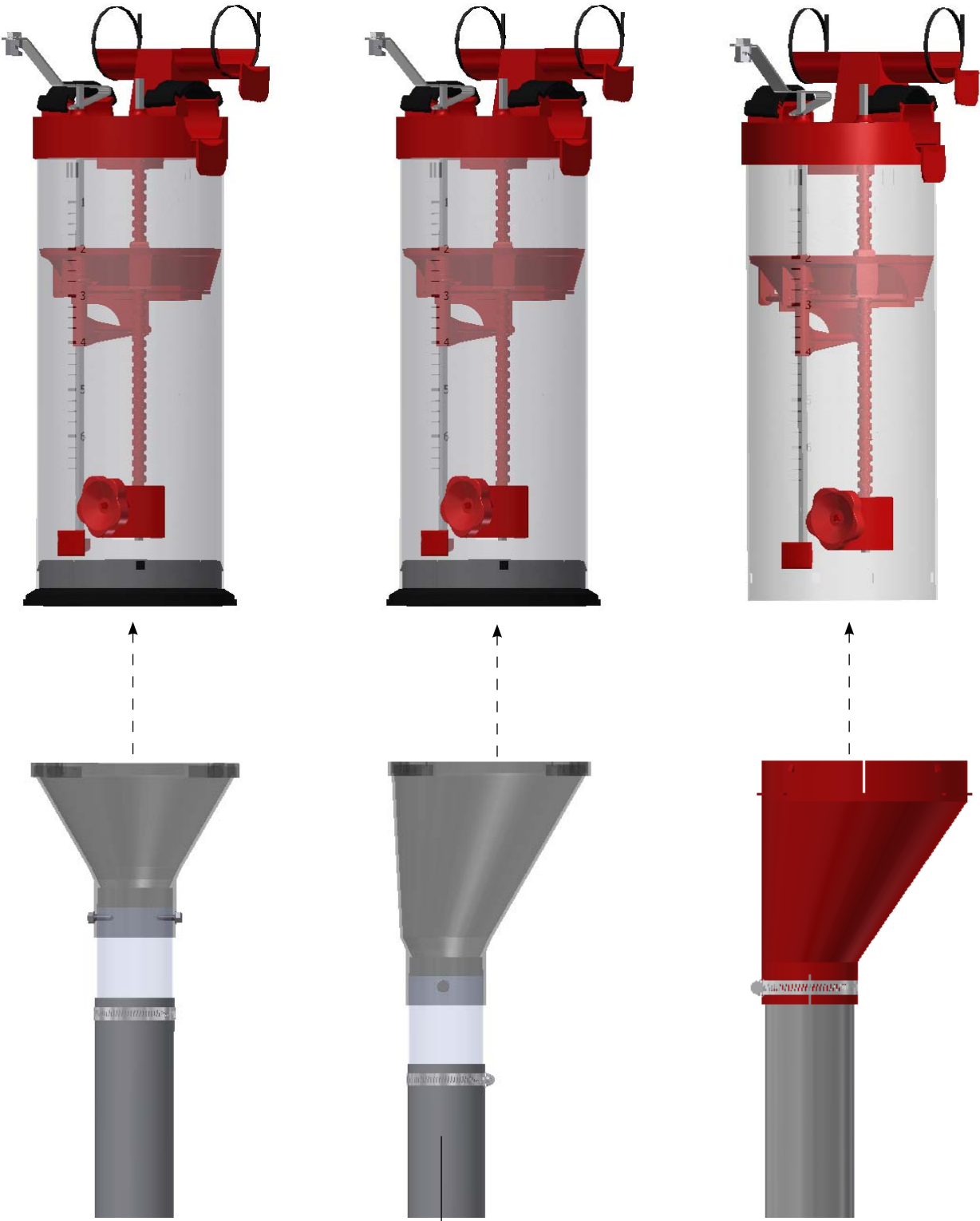


0221-400
VD2/VD6 CONNECTION FOR Ø50 MM
CONVEYOR TUBE

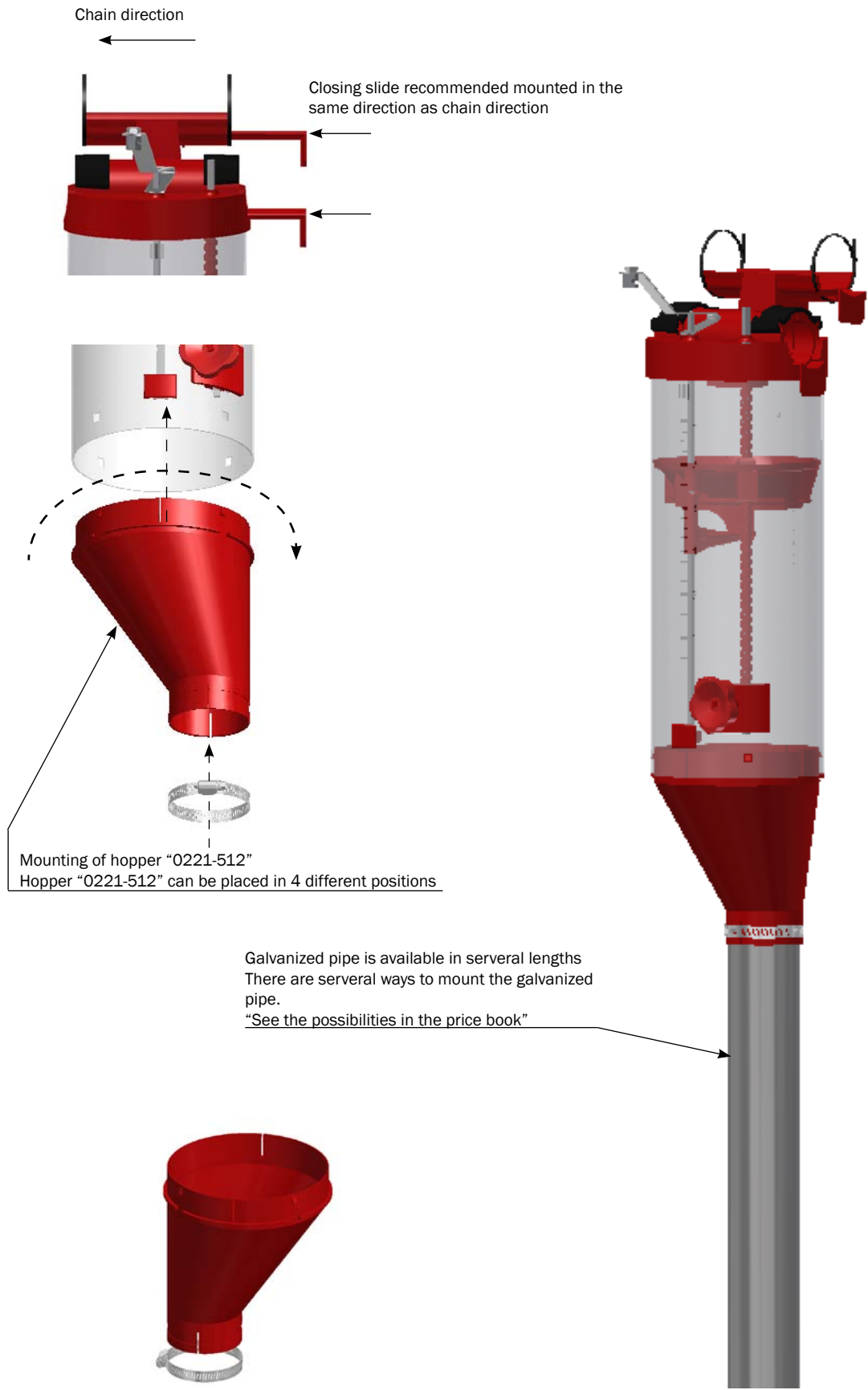


0221-401
VD2/VD6 CONNECTION FOR Ø55 MM
CONVEYOR TUBE

MOUNTED ON DOWN PIPE



MOUNTING OF VD2 BOTTOM

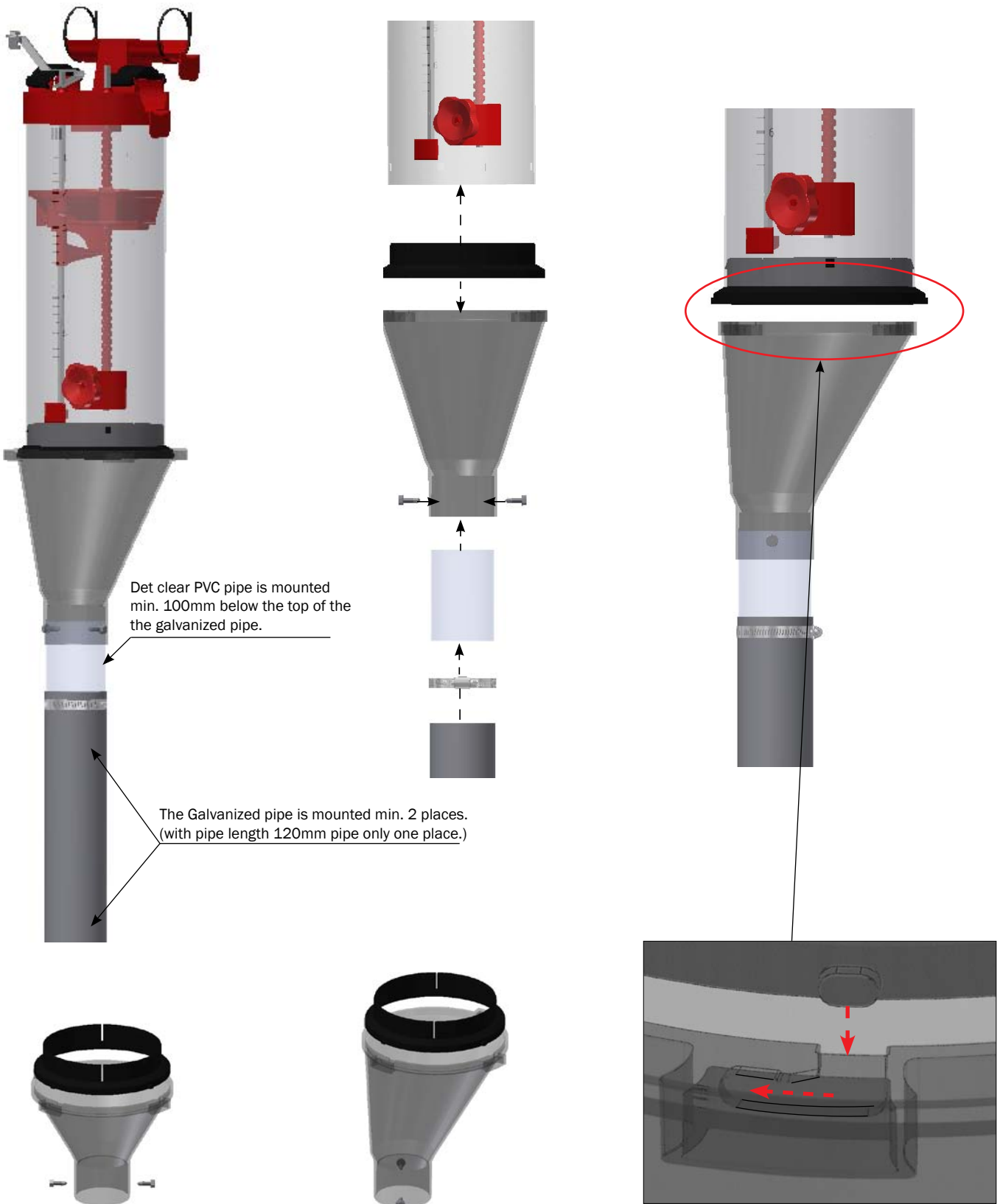


Mounting of hopper "0221-512"
Hopper "0221-512" can be placed in 4 different positions

Galvanized pipe is available in several lengths
There are several ways to mount the galvanized pipe.
"See the possibilities in the price book"

0221-512
VD2 BOTTOM COMPLET

MOUNTING OF VD5 BOTTOM



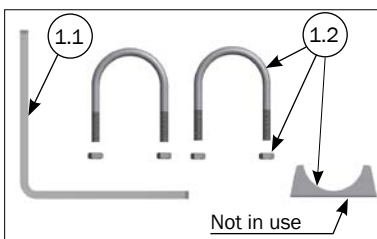
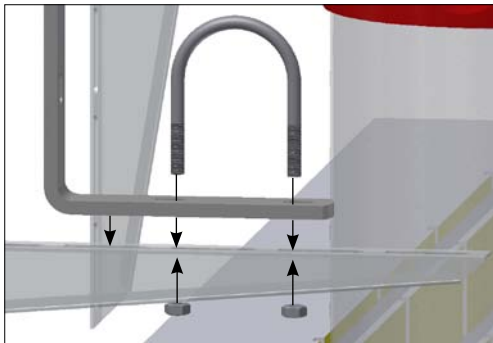
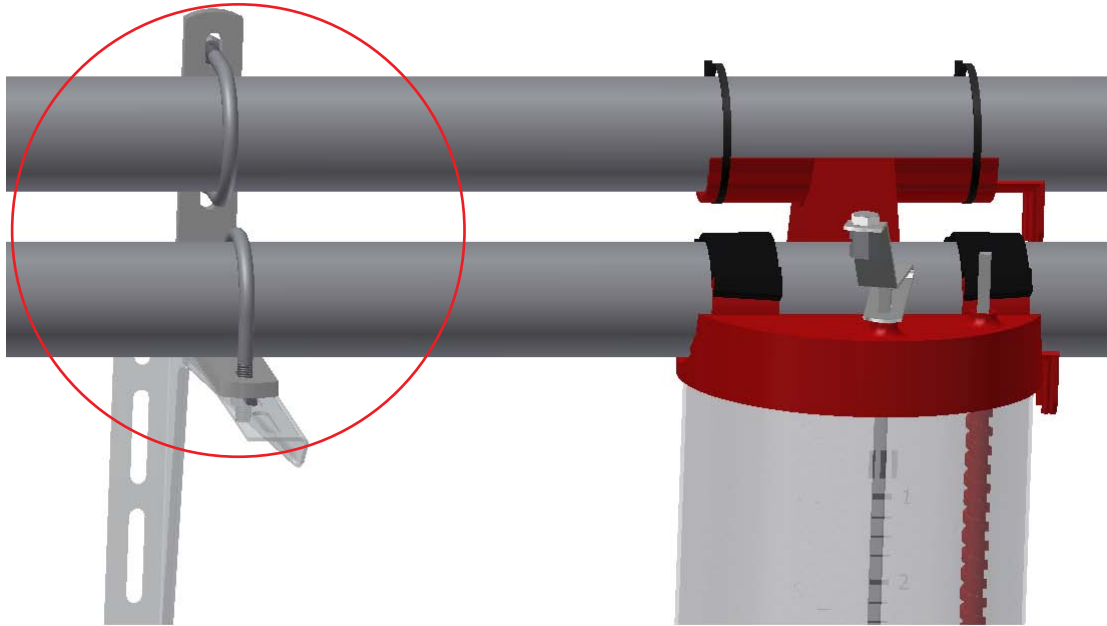
Det clear PVC pipe is mounted min. 100mm below the top of the the galvanized pipe.

The Galvanized pipe is mounted min. 2 places. (with pipe length 120mm pipe only one place.)

0221-516
VD5 BOTTOM FOR VD2 CENTRAL

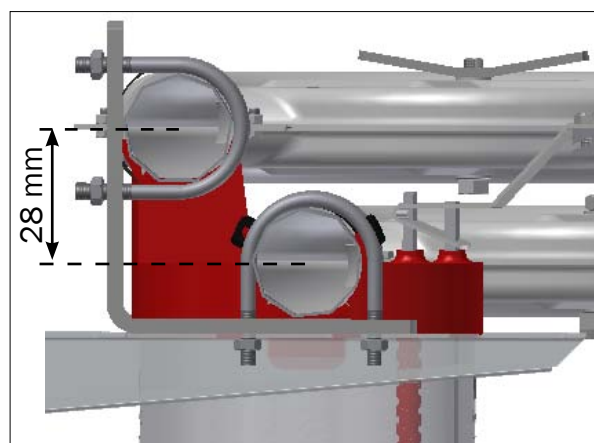
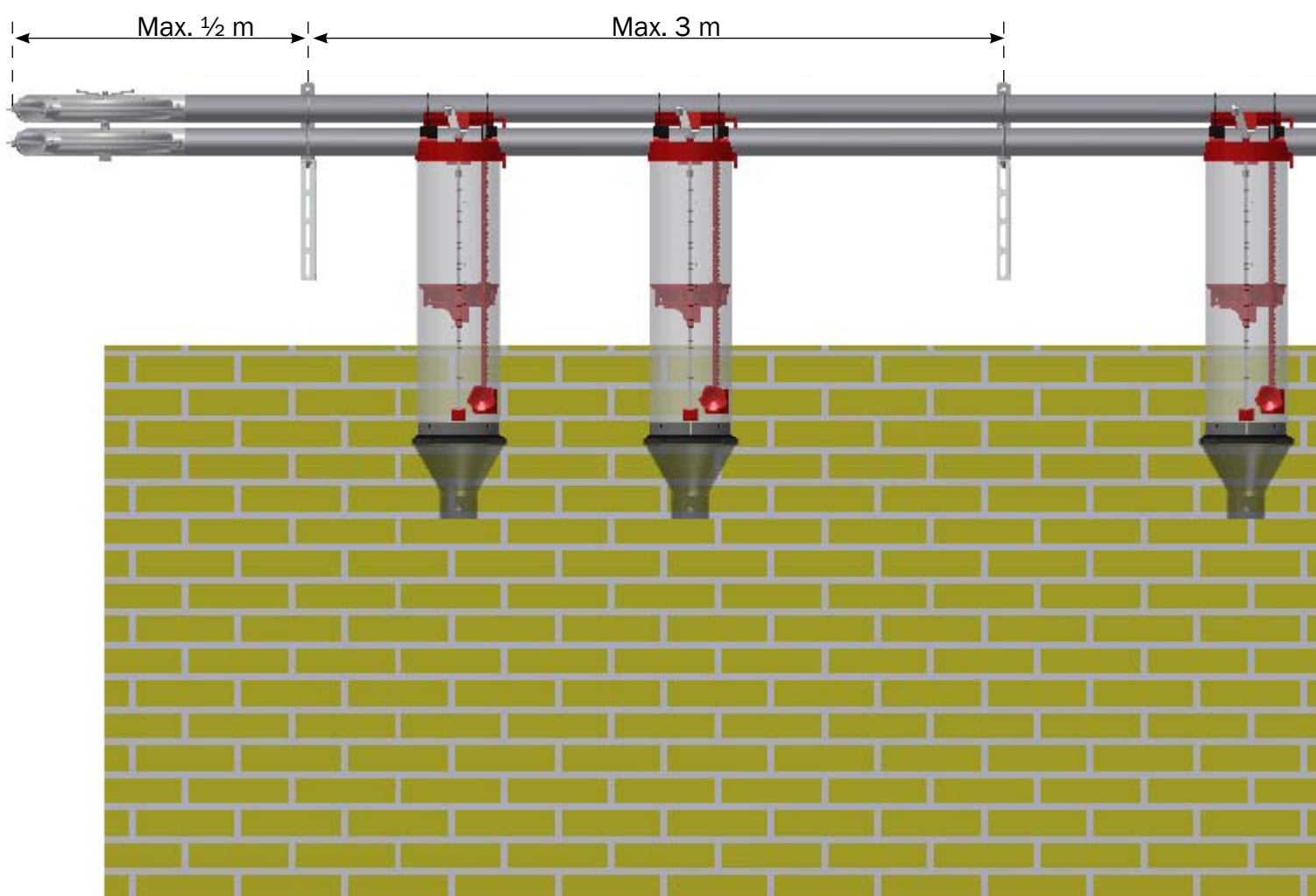
0221-515
VD5 BOTTOM FOR VD2 DECENTRALIZED

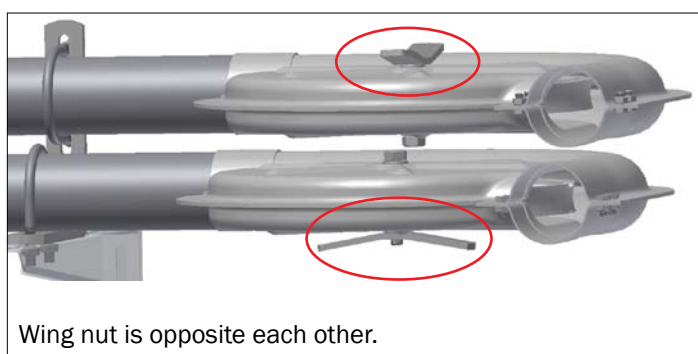
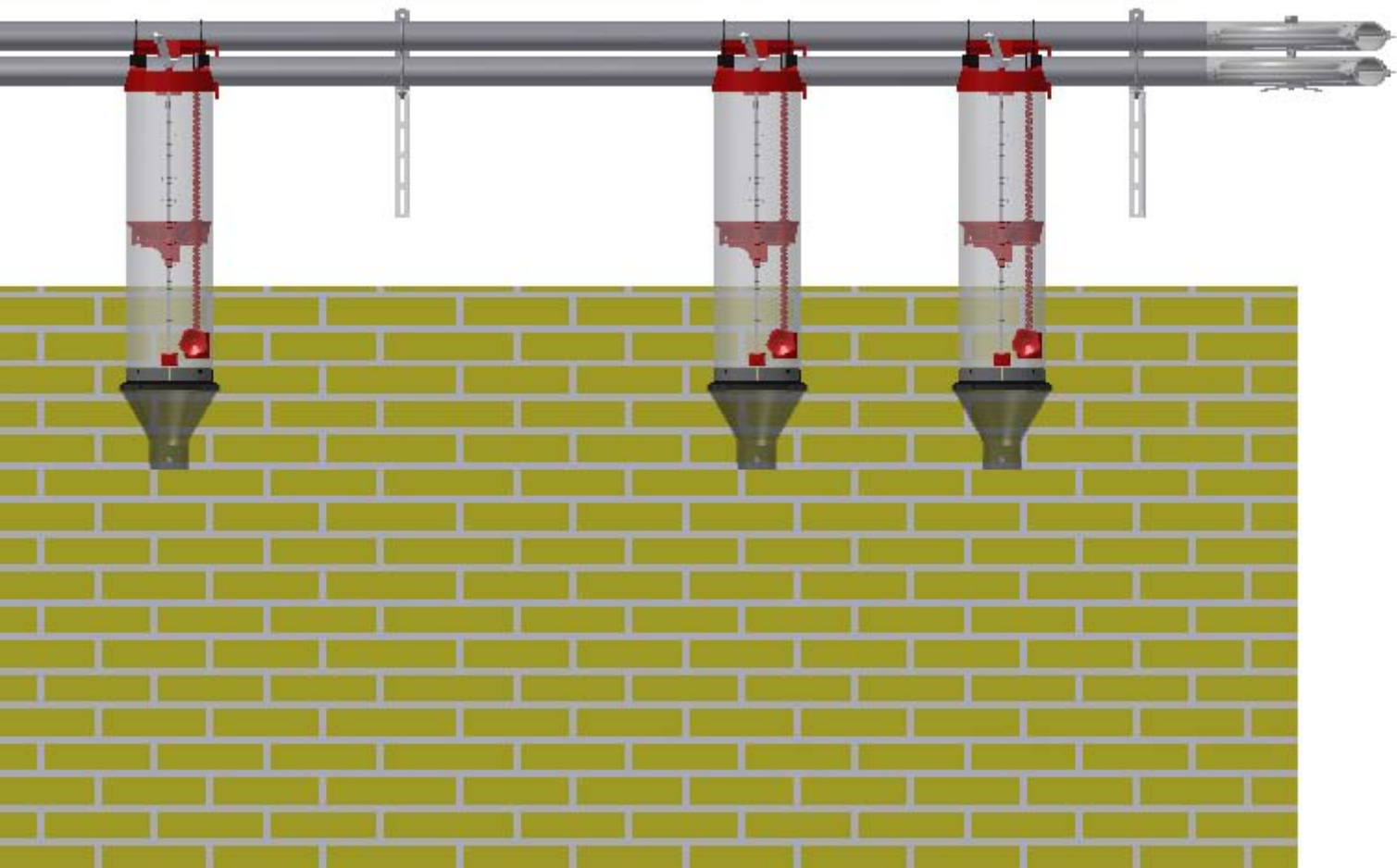
BRACKET FOR PIPES



PART LIST			
NO.	PCS.	ITEM NO.	DESCRIPTION
1	1	0221-972	BRACKET FOR 2 Ø60 PIPES
1.1	1	0221-965	BRACKET FOR 2 FEEDING PIPE
1.2	2	39900103	CLAMP SET Ø60

MOUNTING OF BRACKET AND PIPES





* For further guidance look at mountinginstruction " M-1023 "

M-1010_GB

ACO FUNKI A/S · Kirkevænget 5 · DK-7400 Herning · Tel. +45 97 11 96 00 · Fax. +45 97 11 96 77 · www.acofunki.com

11/12



