

MOUNTING INSTRUCTION



VD2-Ø60 6-10 LITER



ACO FUNKI A/S

Kirkevænget 5
DK-7400 Herning

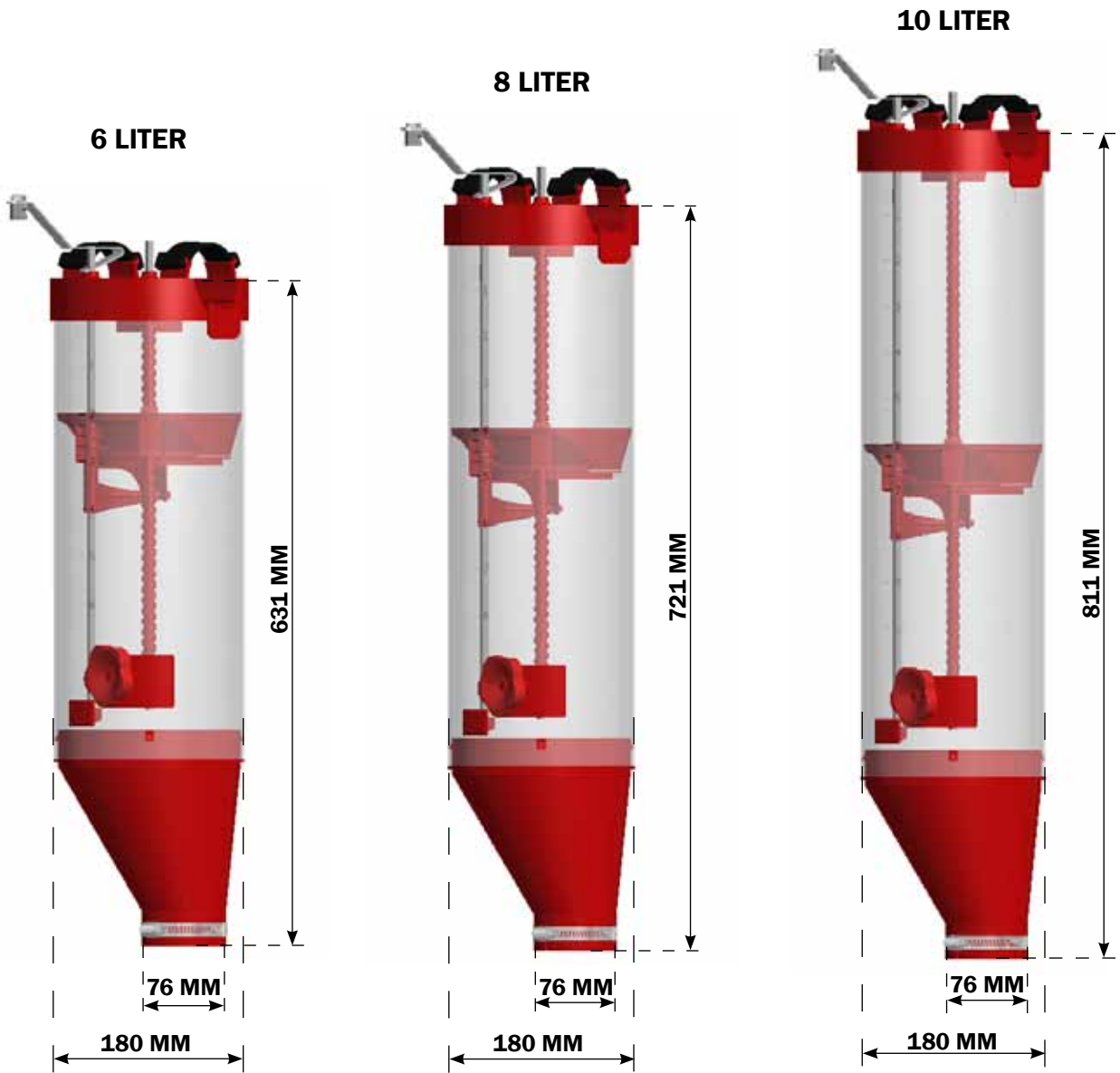
Tel. +45 9711 9600

Fax +45 9711 9677

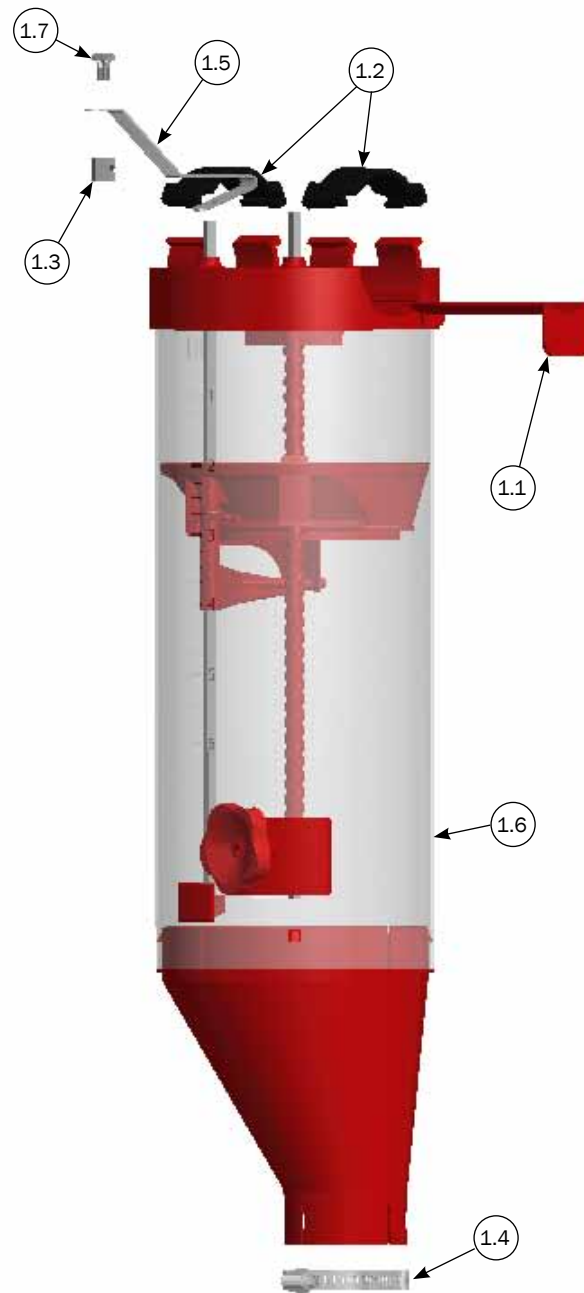
www.acofunki.com

DANISH DESIGN | GERMAN QUALITY | GLOBAL EXPERIENCE

DIMENSION VD2 Ø60, 6-10 LITER

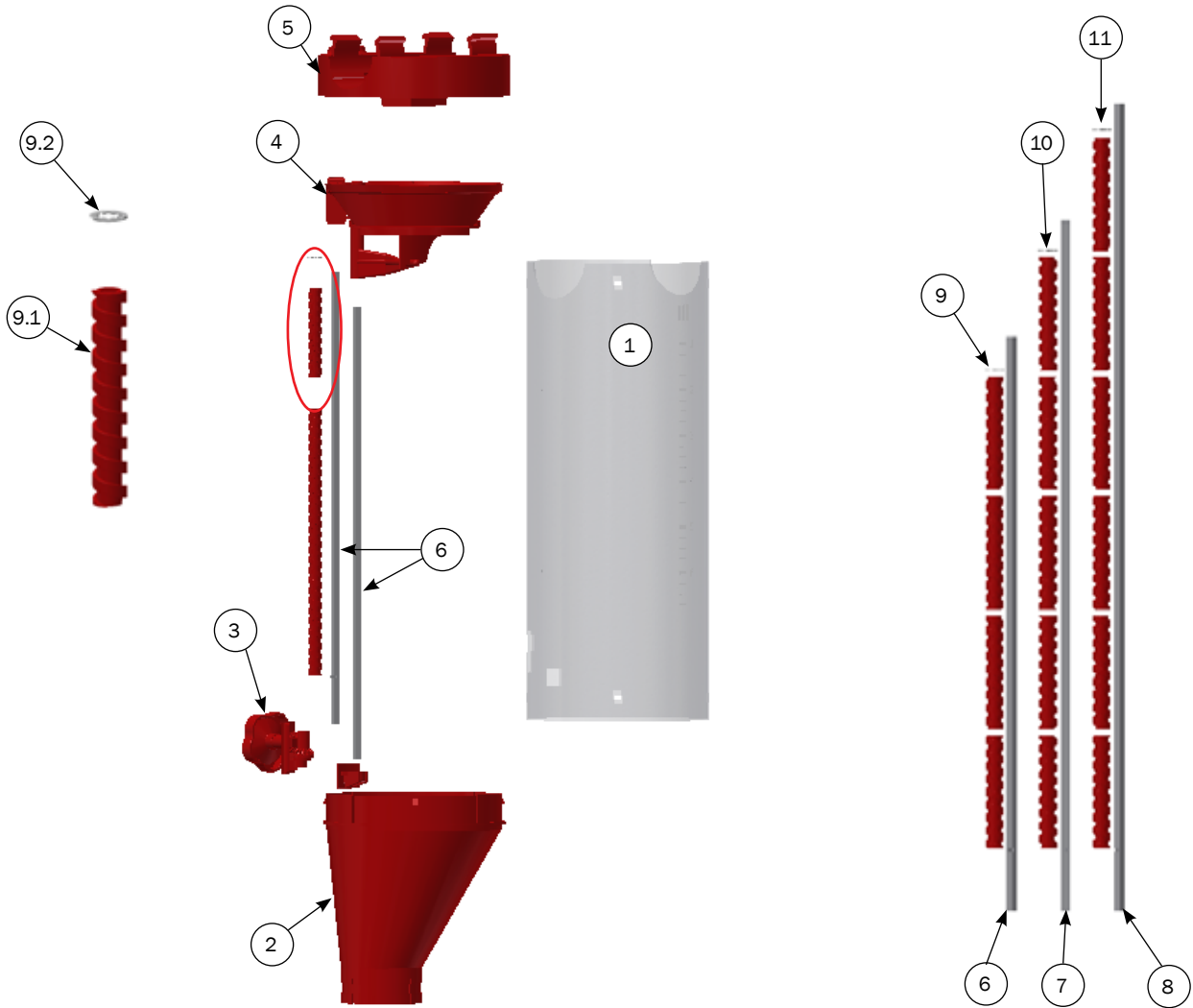


VD2-Ø60, 6 -10 LITER WITH Ø75MM OUTLET



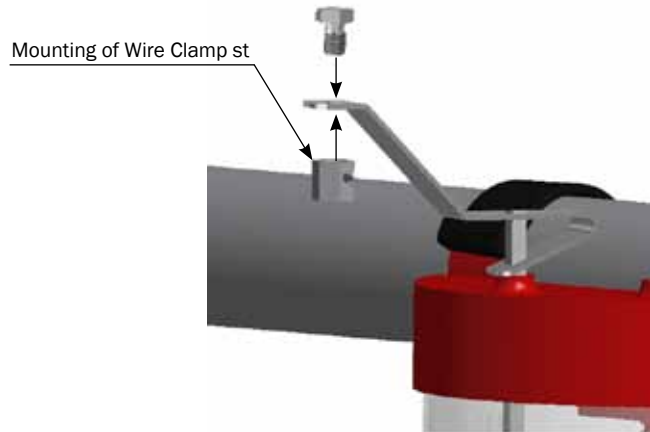
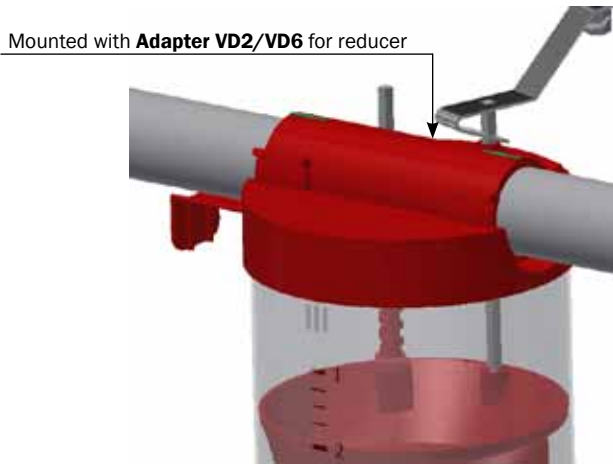
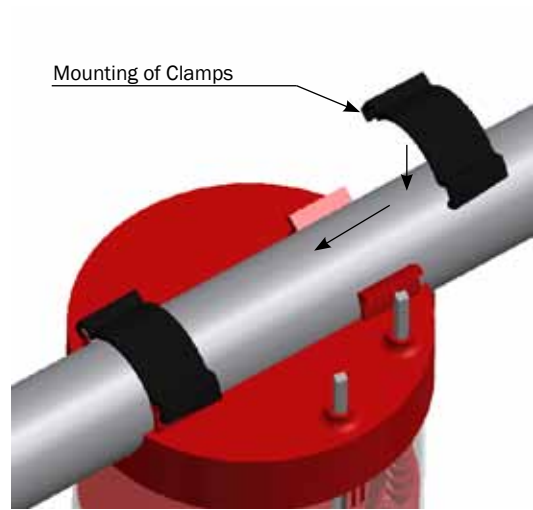
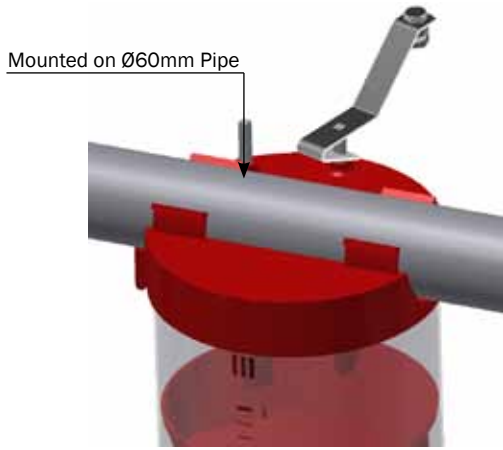
PART LIST			
NO.	PCS.	ITEM NO.	DESCRIPTION
		0221-254	VD2-Ø60, 10 LITRE WITH Ø75 MM OUTLET
		0221-253	VD2-Ø60, 8 LITRE WITH Ø75 MM OUTLET
1	1	0221-252	VD2-Ø60, 6 LITRE WITH Ø75 MM OUTLET
1.1	1	0221-127	SLIDE WITHOUT HOLE
1.2	2	0221-448	CLAMP VD1+VD2
1.3	1	0221-133	WIRE CLAMP ST
1.4	1	90260	HOSE CLAMP 60-80 MM SS
1.5	1	0221-235	ARM WITH SQUARE HOLE
1.6	1	0221-298	CONTAINER TYPE 6 VD2 Ø75
1.7	1	30308012	SET SCREW M8X12 A2 DIN 933

SPAREPARTS FOR CONTAINER TYPE VD2-Ø60, 6-10 LITER



PART LIST			
NO.	PCS.	ITEM NO.	DESCRIPTION
		0221-294	CONTAINER TYPE 10 VD2 Ø75
		0221-296	CONTAINER TYPE 8 VD2 Ø75
1	1	0221-298	CONTAINER TYPE 6 VD2 Ø75
2	1	0221-129	HOPPER Ø75
3	1	0221-280	HANDLE WITH MITRE GEAR VD2
4	1	0221-138	BOTTOM WITH CLOSING FLAP AND -ARM VD1+VD2
5	1	0221-142	COVER FOR VOLDØS VD2
6	2	Not in assortment	REGULATING LEVER 6L VD2
7		0221-140	REGULATING LEVER 8L VD2
8		0221-141	REGULATING LEVER 10L VD2
9	1	0221-137	VD1+VD2 SPINDLE TYPE 6, COMPLETE
9.1	4	0221-160	SPINDEL TP Ø14X20
9.2	2	35900086	LOCK WASHER FOR VD2
10	1	0221-162	VD1+VD2 SPINDLE TYPE 8, COMPLETE
	5	0221-160	SPINDEL TP Ø14X20
	2	35900086	LOCK WASHER FOR VD2
11	1	0221-163	VD1+VD2 SPINDLE TYPE 10, COMPLETE
	6	0221-160	SPINDEL TP Ø14X20
	2	35900086	LOCK WASHER FOR VD2

MOUNTING



0131-191
VD2/VD6 CONNECTION FOR Ø38 MM
CONVEYOR TUBE

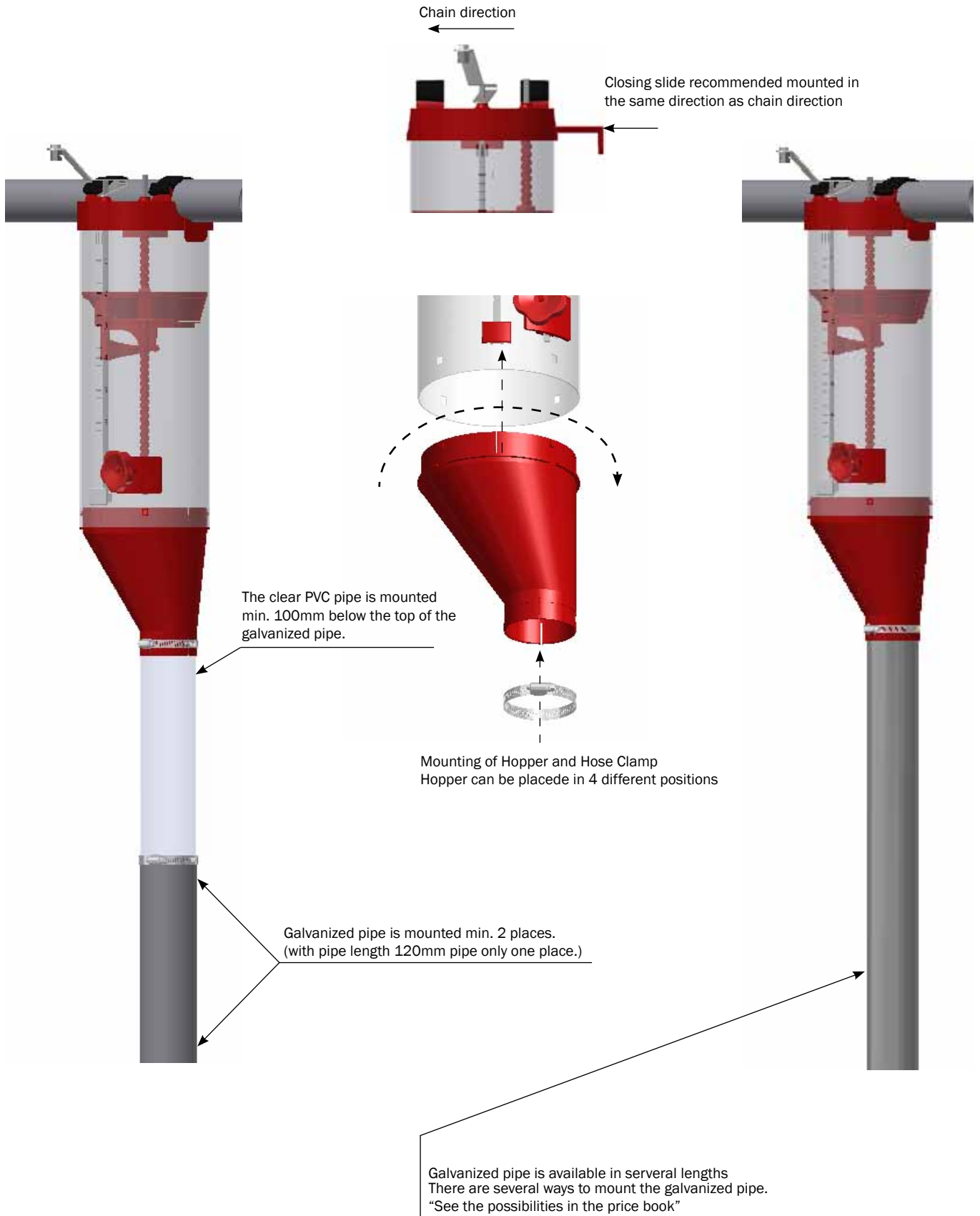


0221-400
VD2/VD6 CONNECTION FOR Ø50 MM
CONVEYOR TUBE

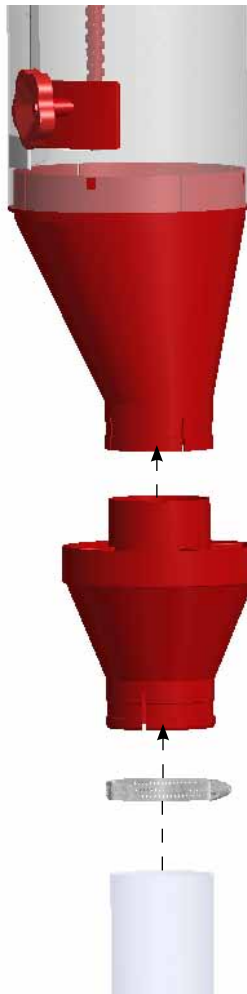


0221-401
VD2/VD6 CONNECTION FOR Ø55 MM
CONVEYOR TUBE

MOUNTED ON DOWN PIPE



MOUNTING WITH EXTRA HOPPER



91810
HOPPER WITH INSERT 75 MM FEEDPIPE



91813
HOPPER WITH CLAMP FOR 75 MM
FEEDPIPE

