

# BOLTS AND SCREWS

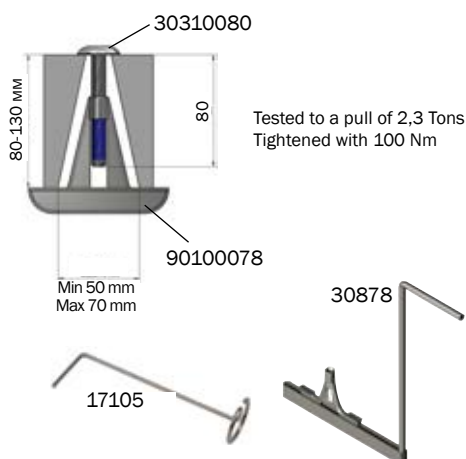
Fittings for concrete slats, concrete floor, plastic/cast iron slats and PVC board profiles

## Concrete slats



Tested to a pull of 1,9 Tons  
Tightened with 80 Nm

Tested to a pull of 1,8 Tons  
Tightened with 50 Nm



### FOR CONCRETE SLATS

Article nr.	Description
30871	T-anchor 80-100 mm
30872	Buttonhead M10x90 Torx 50
30875	T-anchor 100-120 mm
30310080	Buttonhead M10x80 Torx 50
90100078	T-bolt cast M10 SS
30878	Retaining tool for mounting
17105	Tool for bolt-on fittings

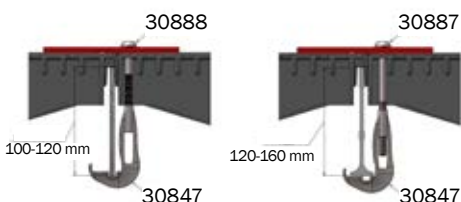
## Concrete floor/wall



### FOR CONCRETE / WALL

Article nr.	Description
39406050	Concrete screw 6,5 x 50 Torx 27
67442	Coach skrue 10x100 mm Torx 50
67444	Coach skrue 10x70 mm Torx 50
39900001	Wall plug 12x60

## Plastic slats



### FOR PLASTIC SLATS

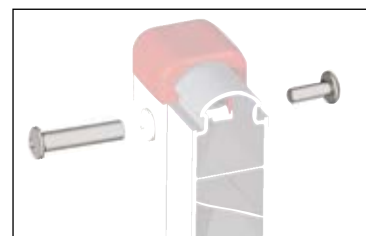
Article nr.	Description
30847	Anchor M8 for plastic slats
90130847	Anchor M8, large
30888	8 x 90 machine bolt (Torx 50)
30887	8 x 120 machine bolt (Torx 50)
30308071	Buttonhead screw SS M8x70 w/o washer
1900241	Bolt-on fitting, 10 pcs.



### FOR PLASTIC SLATS

Article nr.	Description
8500256	Slat anchor M8, green, without screw
1900515	Slat anchor M8, green, set 10 pcs.
17095	Slat anchor 8 mm, green, set 10 pcs.
17129	Slat anchor 10 mm, green, set 10 pcs.
18958	Rhomb screw-anchor, piglet slats, set 10 pcs.

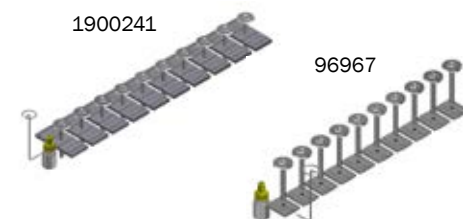
## PVC board profiles



### FOR PVC BOARD PROFILES

Article nr.	Description
39106020	Connection screw SS M6x20 Torx 30
39106030	Connection screw SS M6x30 Torx 30
39106040	Connection screw SS M6x40 Torx 30
39206037	Splicing sleeve SS M6x37 Torx 30
4900466	Connection screw set 39-48 mm SS
4900467	Connection screw set 44-58 mm SS
4900468	Connection screw set 49-68 mm SS

## Cast iron slats



### FOR CAST IRON SLATS

Article nr.	Description
1900241	Bolt-on fitting, 10 pcs.
96967	Bracket for mounting, 10 pcs.

Subject to changes in materials and design is reserved.

B-8521-GB

# MASTER TRADING

MASTER TRADING • KIRKEVÆNGET 5 • 7400 HERNING • DENMARK

www.mastertrading.dk • Tel. +45 9744 6677