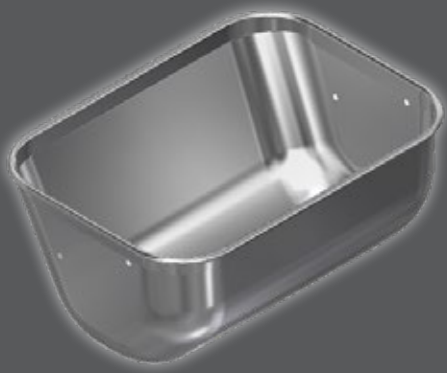




## SOW TROUGH

For new or existing farrowing pens



- Large volume - 21 l
- Can be mounted in existing farrowing pens
- Durable and hygienic: heavy and closed edges, that resist even very heavy influences
- No weldings that might cause leakiness
- No blind corners, where feed and bacteria might accumulate

# SOW TROUGH

Durable and hygienic

**2950666 Sow trough deep drawn, stainless steel**



**FACTS:**

Volume:	21 litres
Material:	1 mm SS 18/8 quality
Holes:	2 Ø 9 in each side
Weight:	3,6 kg

**Solid design**

**Hygienic and preventing injuries**

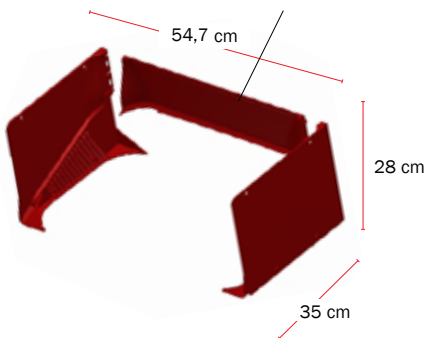
**Imperishable**

**Unaffected by even large sows**

**No leaking**

- Deep drawn
- No edges and blind corners
- Stainless steel
- Sturdy rolled and sealed edges
- No weldings

**2900710 Plastic sides for sow trough**



**BRACKET KITS FOR MOUNTING OF SOW TROUGH:**



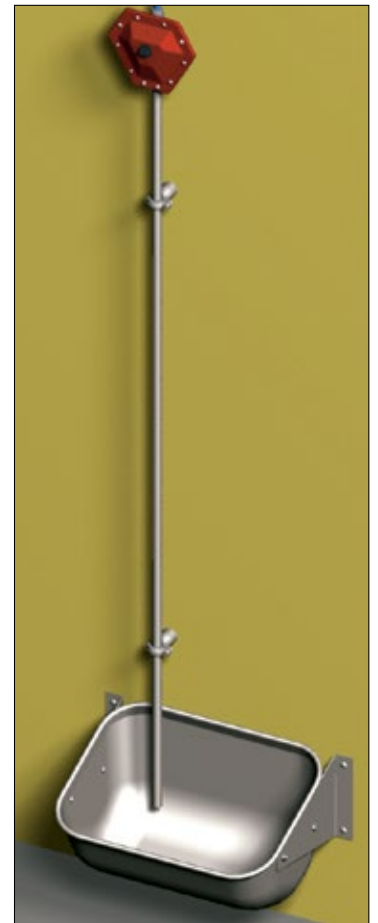
**4900854**  
For wall



**4900856**  
For board profiles



**4900858**  
For bars equipment



Subject to changes in materials and design is reserved.

B-8023-GB

MASTER TRADING

MASTER TRADING • KIRKEVÆNGET 5 • 7400 HERNING • DENMARK

www.mastertrading.dk • Tel. +45 8744 8677