



TURBOMAX feeder

Fresh water and dry feed for pigs 7-120 kg

- Up to 50 pigs per feeder
- For weaners, Wean-To-Finish and finishers
- 100 L feed volume
- Perfect for both meal- and pellet feed
- Water and feed in one feeder
- Easy adjusting
- Minimum feed waste

TURBOMAX FEEDER

Fresh water and dry feed for pigs 7-120 kg

The feeding principle of the TURBOMAX considers the pigs' natural manipulation behaviour, as the pigs have to activate the feeder to get feed. Consequently, the trough is cleaned and free of feed residues, which helps to keep a high level of hygiene.

The TURBOMAX hopper is shaped to prevent bridging. The trough has double drinking bowls allowing the pigs to choose water or dry feed. Taking water and feed at the same time is also reducing stress in the group. You can measure the effect: excellent daily gain from wean to finish.

Volume

Hopper: 100 l

Capacity per trough

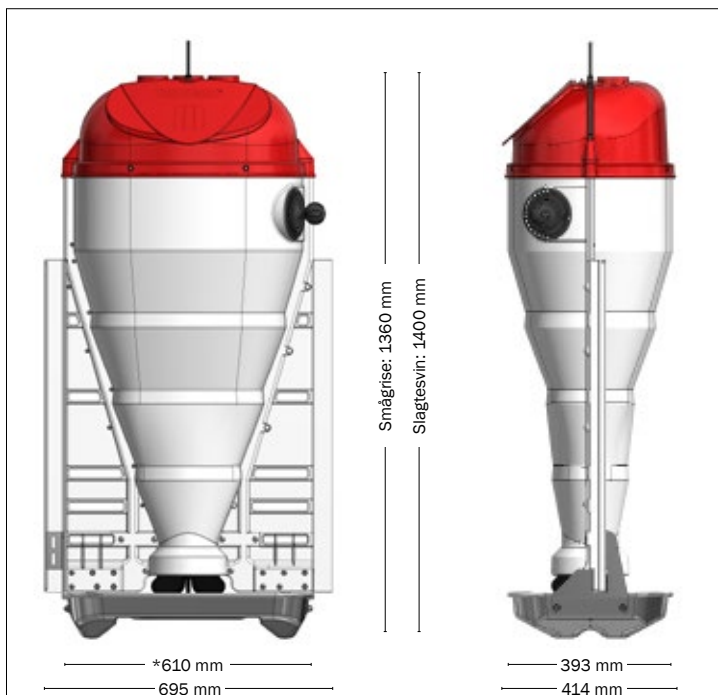
Wean-To-Finish 7-30 kg: 30-50 grise

Finishers 30-120 kg: 30-50 grise

Water supply

½" stainless steel pipe with external thread.
8 mm connection.

Adjustable press nipple, stainless steel
(item no. 0228-231)



* Double: 1260 mm

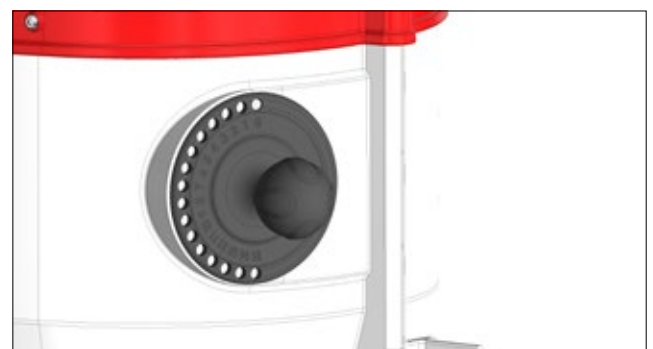
ITEM NO.: 560180 M/U (assembled/unassembled)
FOR: Weaners and Wean-To-Finish (7-30 kg.)

ITEM NO.: 560185 M/U (assembled/unassembled)
FOR: Finishers (30-120 kg.)



Well-thought-out trough and specially designed feeding function

- 3-part trough, which separates water and feed
- Intuitive to use for the pigs
- The pigs must activate the feeding themselves, thereby stimulating their activity needs
- Access to the trough from both sides of the feeder



Easy setting and quick adjustment

- 15 settings allow for accurate dosing
- Can be adjusted so that the pigs get the optimal amount of feed

Subject to changes in materials and design is reserved.

B-1501-GB

MASTER TRADING

MASTER TRADING • KIRKEVÆNGET 5 • 7400 HERNING • DENMARK

www.mastertrading.dk • Tel. +45 9744 6677