



## DOUBLE FUNKIMAT

Feeder for pigs 6-120 kg



- Better animal welfare
- High daily gain
- High hygiene and health
- Water and feed separated
- 70/80 pigs per Funkimat
- Easy to learn
- Perfect for both meal and pellet feed
- Large adjustment handle provides a good overview through the stable

# DOUBLE FUNKIMAT

The feeder is easily adjusted to all types of feed



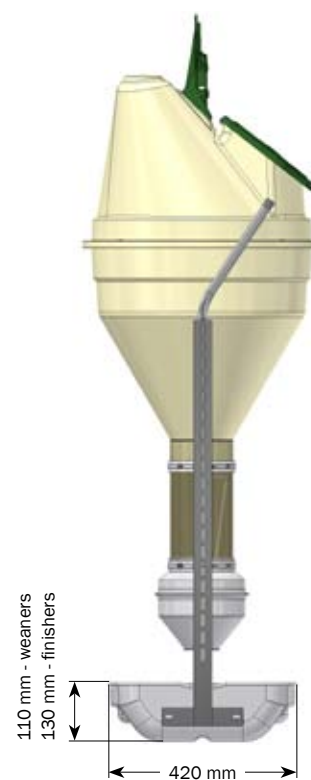
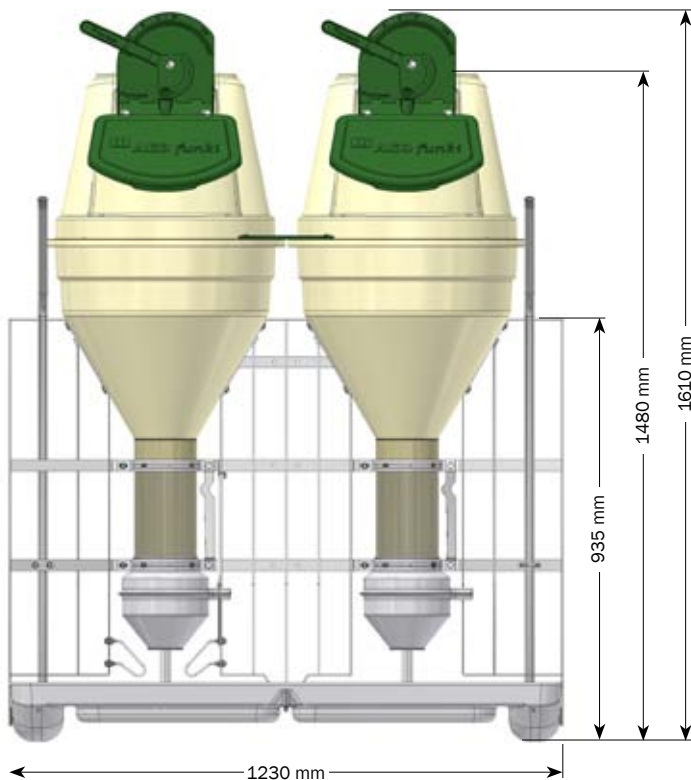
Double FUNKIMAT is made solely of stainless materials to ensure long durability. Double FUNKIMAT is designed in consideration of today's demands on housing environment, making the feeder easy to clean as well as waterproof for sprinkling.

The feeder is easily adjusted to all types of feed. Optional closure of feed distribution is available. The feeder can also be separated for emptying and cleaning.

Double FUNKIMAT is available as a standard with reliable stainless nipple drinkers supplied by two separate water pipes and tubes - no fragile fittings.

## DOUBLE FUNKIMAT - FACTS

Hopper capacity	2x100 l
Frame	40x3 mm, flat
Trough	Stainless
<b>Capacity per trough</b>	
Weaners 5-35 kg	50-80 pigs
Finishers 30-120 kg	40-70 pigs



Subject to changes in materials and design is reserved.

B-1030-GB

MASTER TRADING

MASTER TRADING • KIRKEVÆNGET 5 • 7400 HERNING • DENMARK

www.mastertrading.dk • Tel. +45 9744 6677